



# EH2100/EH2100P Enclosure

## INDOOR, IN-CEILING, FOR SINGLE CAMERA

### Product Features

- Low Profile, "Wedge" Style
- Designed for Medium-to-Large Format Cameras
- For Use in Fixed or Dropped (False) Ceilings
- Hinged Door Opens for Convenient Access to Camera
- Select from Riveted or Fully Welded and Sealed Back Box Models



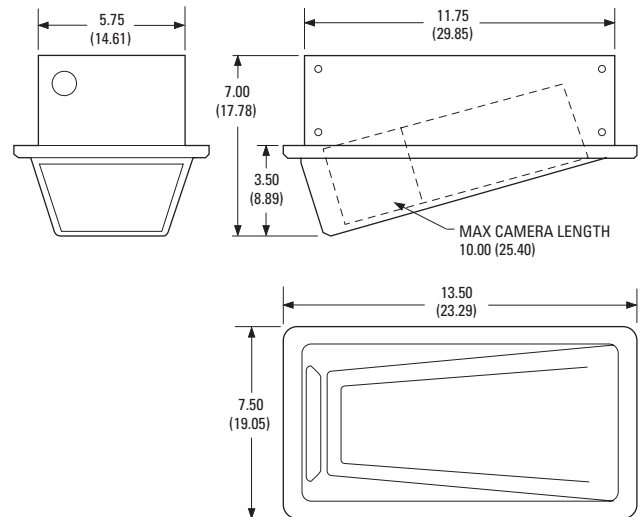
**EH2100 MOUNTED IN DROPPED CEILING  
USING E2100 MOUNTING PLATE**

The **EH2100** and **EH2100P** are low profile ceiling enclosures designed for use with medium-to-large format cameras. The unobtrusive, compact design complements any business or office decor.

The enclosures are designed for use in fixed or dropped (false) ceilings. The upper section mounted above the ceiling is constructed of aluminum. The **EH2100** has a riveted back box and the **EH2100P** has a fully welded and sealed back box.

Because of its lightweight design, the enclosure can be mounted directly on a ceiling tile without the use of an additional mounting plate. Pelco offers an optional 360-degree rotating mounting plate (**E2100**) for false ceiling applications, which allows the enclosure to be rotated in 10-degree increments to change the viewing area.

The **EH2100** and **EH2100P** are engineered for ease of installation and service. The lower section is hinged to provide convenient access for camera and lens adjustments. The adjustable camera mounting sled allows the camera to be positioned vertically or horizontally, depending on the camera size. A Phillips screw at the front of the enclosure secures the cover.



NOTE: VALUES IN PARENTHESES ARE CENTIMETERS;  
ALL OTHERS ARE INCHES.



# TECHNICAL SPECIFICATIONS

## MODELS

EH2100	Low profile ceiling enclosure with riveted back box; for use in fixed or false ceiling applications
EH2100P	Same as EH2100 except has fully welded and sealed back box

**Note:** The EH2100 is also available in a heavy-duty version constructed from steel and aluminum for maximum protection and durability. See HS2100 specification sheet for additional information.

## MECHANICAL

Camera Mounting	Adjustable camera sled capable of supporting a maximum weight of 10 lb (4.53 kg). Sled can be adjusted horizontally or vertically
Maximum Camera and Lens Size	Accepts camera and lens combinations* (including BNC connector) up to: 3.0" H x 4.0" W x 10.0" L (7.62 x 10.16 x 25.4 cm)
Ceiling Mounting	Upper section flange-mounted to fixed ceiling or ceiling tile. Ceiling support rails are provided
Cable Entry	Conduit knockouts, EH2100 only; must be drilled for EH2100P
Lock	Phillips screw

\*Assumes lens is fully extended.

## GENERAL

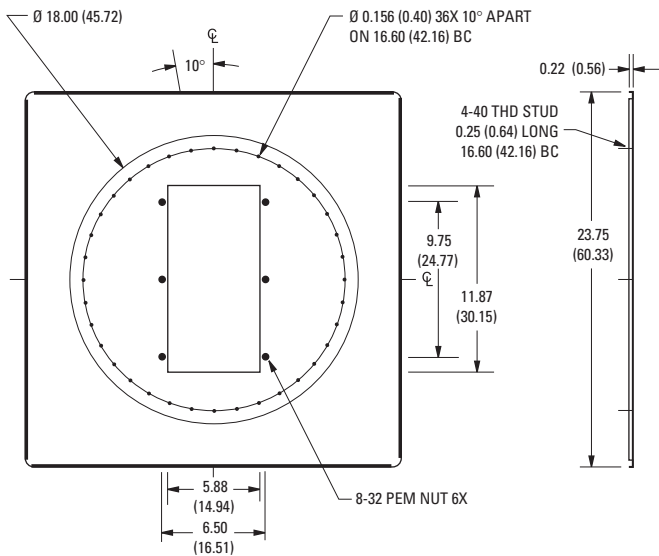
Construction	Upper section Lower section	5052H32 aluminum Vacuum-formed ABS plastic (UL listed material)
Viewing Window		Lucite® SAR (Super Abrasion Resistant) acrylic
Color	Upper section Lower section	Alodine Eggshell white ABS plastic
Environment		Indoor; 32° to 120°F (0° to 49°C)
Unit Weight	EH2100 EH2100P E2100	2.47 lb (1.12 kg) 2.48 lb (1.13 kg) 3.10 lb (1.41 kg)
Shipping Weight	EH2100 EH2100P E2100	4 lb (1.81 kg) 4 lb (1.81 kg) 5 lb (2.26 kg)

## CERTIFICATIONS/RATINGS

- UL Listed
- Meets NEMA Type 1 standards

## OPTIONAL ACCESSORIES

E2100	360° rotating mounting plate; rotates in 10° increments and features locking capability to secure enclosure positioning. Replaces 2 ft x 2 ft (61 cm x 61 cm) ceiling tile; can be used in 2 ft x 4 ft (61 cm x 122 cm) ceiling tile with additional T-rail for support. Constructed of aluminum with textured white polyester powder coat finish.
-------	--



NOTE: VALUES IN PARENTHESES ARE CENTIMETERS; ALL OTHERS ARE INCHES.



E2100 ROTATING MOUNTING PLATE



**Pelco Worldwide Headquarters:**  
3500 Pelco Way, Clovis, California 93612-5699 USA  
**USA & Canada** Tel: (800) 289-9100 • FAX (800) 289-9150  
**International** Tel: (559) 292-1981 • FAX (559) 348-1120  
[www.pelco.com](http://www.pelco.com)

Pelco and the Pelco logo are registered trademarks of Pelco.  
Lucite is a registered trademark of DuPont.  
Specifications subject to change without notice.  
©Copyright 2002, Pelco. All rights reserved.