

# DF8 Series Fixed Mount Dome

## 8-INCH, INDOOR/OUTDOOR, CEILING/PENDANT

### Product Features

- Low Cost
- Indoor/Outdoor Applications
- Quick and Easy to Install; Hole-Scribing Tool Included for In-Ceiling Models
- Versatile and Adjustable Fixed Camera Mount Bracket
- For Use in Hard Ceiling, Suspended Ceiling or Pendant Applications
- As Little as 5.2 Inches (13.2 cm) of Overhead Ceiling Space Required for In-Ceiling Models
- Optional Support Rails Available for Suspended Ceiling Applications
- Cosmetically Matches Spectra® Dome
- Outdoor Pendant Models Sealed and Weatherized for Use in Temperatures to -60°F (-51°C)

The **DF8 Series** are 8-inch, fixed mount domes that are quick and easy to install and can be used in a variety of indoor/outdoor applications.

The versatile fixed camera mount allows for 360-degree horizontal positioning and will accommodate a camera and lens up to nine inches (22.86 cm) in length when tilted 30 degrees downward.

The lower dome, which is 8.5 inches (21.59 cm) in diameter, is easily removed for quick access to the camera.

The **DF8 Series** in-ceiling models can be installed in hard ceilings or standard 2' x 2' (61 x 61 cm) suspended ceilings. This compact dome requires as little as 5.2 inches (13.2 cm) of overhead space above the ceiling for installation. The back box is formed aluminum construction and is plenum rated. Multiple cable hole plugs are positioned in the top and sides of the back box and can be removed to allow cable to be run from any direction.

The **DF8 Series** feature an acrylic bubble which is available in four types: smoked bronze (in-ceiling model only), black opaque with smoked window, black opaque with clear window, and white with clear window (in-ceiling model only).

The **DF8 Series** pendant models mount directly to any recommended mount, flush to a ceiling, or to 1.5-inch NPT female pipe threads. They are available in a black or gray finish for indoor applications or gray only for environmental applications. The environmental domes include a sun shield and heater kit and are suitable for use in temperatures to -60°F (-51°C).

Optional wall/ceiling mounts are available for the pendant models.

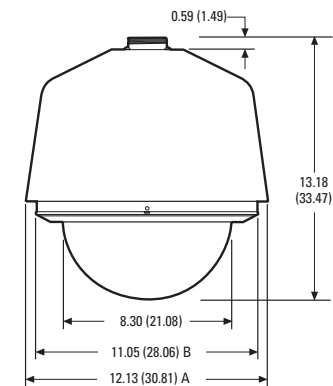


IN-CEILING MODEL DF8A



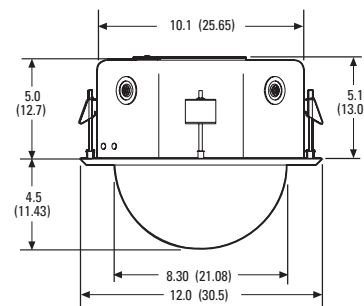
PENDANT MODEL DF8-PG-0  
SHOWN WITH IWM-GY WALL MOUNT

PENDANT  
DF8 SERIES



A - OUTDOOR MODELS WITH SUN SHIELD  
B - INDOOR MODELS WITHOUT SUN SHIELD

IN-CEILING  
DF8A SERIES



NOTE: VALUES IN PARENTHESES ARE CENTIMETERS;  
ALL OTHERS ARE INCHES.



C1448 / REVISED 6-2-08

IP66



International Standards  
Organization Registered Firm;  
ISO 9001 Quality System



# TECHNICAL SPECIFICATIONS

## MODELS

Model Number	In-ceiling	Pendant	Indoor	Outdoor	Color		Bubble
					Black	Gray	
DF8A	•		•				Smoked bronze, 1 F-stop light loss
DF8A-0	•		•				Opaque black, smoked window, 0.7 F-stop light loss
DF8A-1	•		•				Opaque black, clear window, zero light loss
DF8A-10	•		•				Opaque white, clear window, zero light loss
DF8-PB-0		•	•		•		Opaque black, smoked window, 0.7 F-stop light loss
DF8-PB-1		•	•		•		Opaque black, clear window, zero light loss
DF8-PG-0		•	•			•	Opaque black, smoked window, 0.7 F-stop light loss
DF8-PG-1		•	•			•	Opaque black, clear window, zero light loss
DF8-PG-E0		•		•		•	Opaque black, smoked window, heater and blower, 0.7 F-stop light loss
DF8-PG-E1		•		•		•	Opaque black, clear window, heater and blower, zero light loss

**Note:** DomePak® models with factory-installed and back-focused camera and lens packages are available. Please refer to the DF8 Series Selection Guide or contact the factory for available models.

## MECHANICAL

Cable Entry	
In-Ceiling	0.875-inch (2.22 cm) knockouts positioned in top and sides of back box
Pendant	Through top of dome
Maximum Camera and Lens Size	The following dimensions are specified according to fixed camera mount position and include allowance for the BNC connector. Actual length may vary if width and height of camera and lens are different.

### In-Ceiling

Horizontal	7.25" L x 2.75" W x 2.6" H (18.42 x 6.99 x 6.60 cm)
15 Degree Angle	7.75" L x 2.75" W x 2.6" H (19.69 x 6.99 x 6.60 cm)
30 Degree Angle	8.75" L x 2.75" W x 2.6" H (22.23 x 6.35 x 5.33 cm)

### Pendant

Horizontal	7.25" L x 2.75" W x 2.6" H (18.42 x 6.99 x 6.60 cm)
15 Degree Angle	7.75" L x 3.0" W x 3.0" H (19.69 x 7.62 x 7.62 cm)
30 Degree Angle	8.75" L x 3.0" W x 3.0" H (22.23 x 7.62 x 7.62 cm)

## GENERAL

Environment	Indoor/outdoor
Construction	
Back Box	Aluminum
Bubble	Acrylic plastic
Trim Ring	Aluminum
Finish	Polyester powder coat (pendant models)
Operating Temperature	
Indoor	32° to 120°F (0° to 49°C)
Outdoor*	
Maximum	140°F (60°C) absolute maximum; 122°F (50°C) sustained maximum
Minimum	-60°F (-51°C) absolute minimum; prevents icing at sustained minimum of -50°F (-45°C); de-ices 0.1 inch (2.5 mm) within 3 hours after power-up

\*Assumes no windchill factor.

Weight	<u>Unit</u>	<u>Shipping</u>
In-Ceiling	3.1 lb (1.4 kg)	6 lb (2.72 kg)
Pendant		
Indoor	6.0 lb (2.72 kg)	10 lb (4.5 kg)
Outdoor	8.5 lb (3.85 kg)	13 lb (5.8 kg)

## ELECTRICAL

Input Voltage	14-30 VAC (outdoor models only)
Power Requirements	58 VA at 24 VAC

## CERTIFICATIONS

- UL Listed
- UL Listed to Canadian safety standards
- Meets NEMA Type 4X and IP66 standards

## OPTIONAL ACCESSORIES

DF8A-R	Two 26-inch (66.04 cm) aluminum support rails for mounting DF8A Series dome in suspended ceiling. (Can also be used for additional support in hard ceiling applications.)
--------	---

## RECOMMENDED MOUNTS

DF8A-P	2' x 2' (61 x 61 cm) aluminum faceplate for suspended ceiling applications. Replaces existing ceiling tile.
IWM Series	Wall mount, black or gray, with or without 24 VAC, 100 VA transformer, for use with pendant models.
MRCA	Black ceiling mount adapter for pendant models.
MRWA	Black wall mount adapter for pendant models.



**Pelco, Inc. Worldwide Headquarters:**  
3500 Pelco Way, Clovis, California 93612-5699 USA  
**USA & Canada** Tel: (800) 289-9100 • FAX: (800) 289-9150  
**International** Tel: +1 (559) 292-1981 • FAX: +1 (559) 348-1120  
[www.pelco.com](http://www.pelco.com)

Pelco, the Pelco logo, Spectra, and DomePak are registered trademarks of Pelco, Inc. Product specifications and availability subject to change without notice.  
©Copyright 2008, Pelco, Inc. All rights reserved.