



PH-200

Dual-Sided Headset with Flexible Dynamic Boom Mic

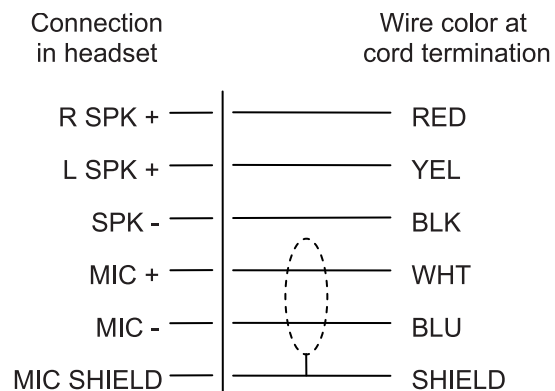
The PH-200 is a premium medium-weight noise reduction headset with dynamic microphone. The PH-200 features a unique, comfortable headband design that distributes pressure evenly. This headset comes with high quality moleskin cushions and offers a 21 dB noise reduction rating. The PH-200 is portable and able to fold into an extremely compact shape. Available in 4- or 5-pin XLR connectors (male or female) and pigtail termination.

Features

Boom Microphone

Headband Pressure Adjustments

Wiring Diagram



PH-200 Specifications

Connector Termination

PH-200: XLR 4-pin Female
PH-200A5: XLR 5-pin Female
PH-200PT: Stripped Wire
PH-200R: XLR 4-pin Male
PH-200R5: XLR 5-pin Male

Type

PH-200: Dual Sided Monaural
PH-200A5: Dual Sided Stereo
PH-200PT: Dual Sided
PH-200R: Dual Sided Monaural
PH-200R5: Dual Sided Stereo

Mic Type

Dynamic Noise-Canceling

Mic Sensitivity

-65dBV/Pa @1cm

Mic Frequency Range

150Hz - 8kHz

Mic Impedance

200Ω

Speaker Sensitivity

97dB SPL @1kHz, 1mW

Speaker Frequency Range

500Hz - 4kHz

Speaker Impedance

PH-200: 150Ω
PH-200A5: 300Ω per side
PH-200PT: 300Ω per side
PH-200R: 150Ω
PH-200R5: 300Ω per side

Weight

18oz. (not including cord)

Cord Length

6 ft.

Ordering Information

PH-200

Dual-Sided Headset with Flexible Dynamic Boom Mic & A4F Connector

Catalog Number: 301581-002

PH-200A5

Dual-Sided Headset with Flexible Dynamic Boom Mic & A5F Connector

Catalog Number: 301581-004

PH-200PT

Dual-Sided Headset with Flexible Dynamic Boom Mic & Pigtail Termination

Catalog Number: 301581-006

PH-200R

Dual-Sided Headset with Flexible Dynamic Boom Mic & A4M Connector

Catalog Number: 301581-003

PH-200R5

Dual-Sided Headset with Flexible Dynamic Boom Mic & A5M Connector

Catalog Number: 301581-005

This specifications information is preliminary and is subject to change without notification.

Brand names mentioned are the property of their respective companies.