

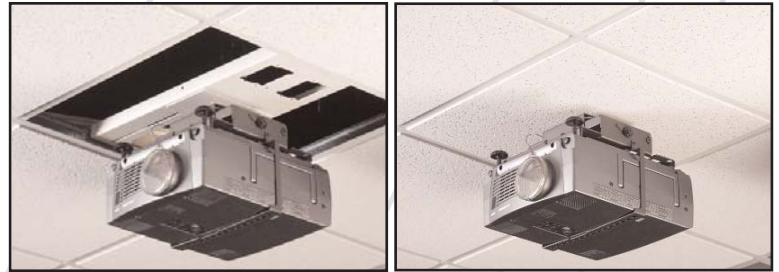
Projector Ceiling Accessories

Each projector accessory mates with most projectors in the market that weigh less than 50 lbs. The hidden t-bar frame (PP-FCTA) allows for precise projector placement and while hidden above the ceiling tile. The false ceiling plate (PP-FCMA) mates with the mount and ceiling adapter while serving as a ceiling tile. The decorative cover (PP-CVR) adds a finishing touch to any installation as it covers the mounting hardware.

These revolutionary designs feature dual cable ports to make wiring easy. When the FPA is used with an AM2 Universal Swingout Arm, you can pull and pivot your LCD for optimal viewing or collapse it flush with the cabinet face. Plus, it's backed by our industry-leading Lifetime Guarantee.

Features

- Fits projectors weighing up to 50 lbs
- PP-FCTA allows perfect projector placement
- PP-CVR keeps projector hardware concealed
- PP-FCMA mates with mount and serves as a ceiling plate
- Each part includes knockouts for easy power-outlet wiring
- Lifetime Guarantee



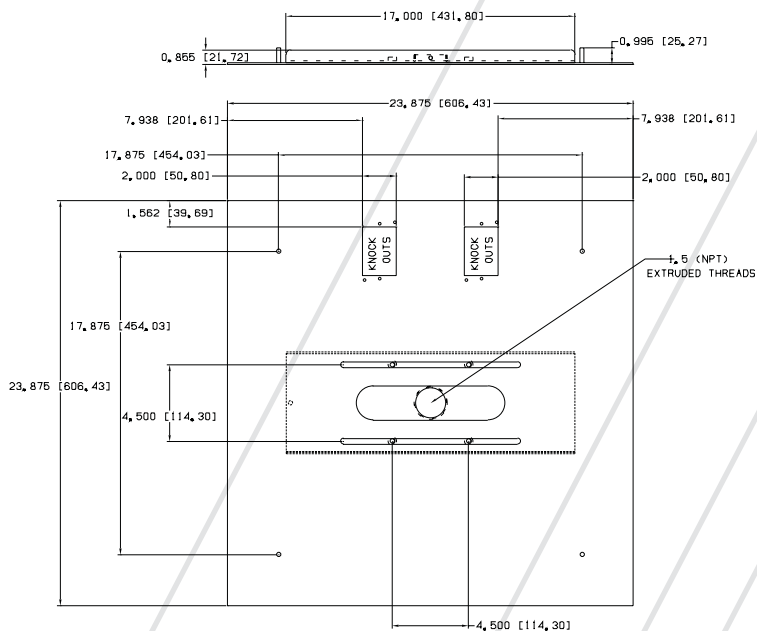
The PP-FCTA allows precise suspended projector placement while hidden above the ceiling tiles



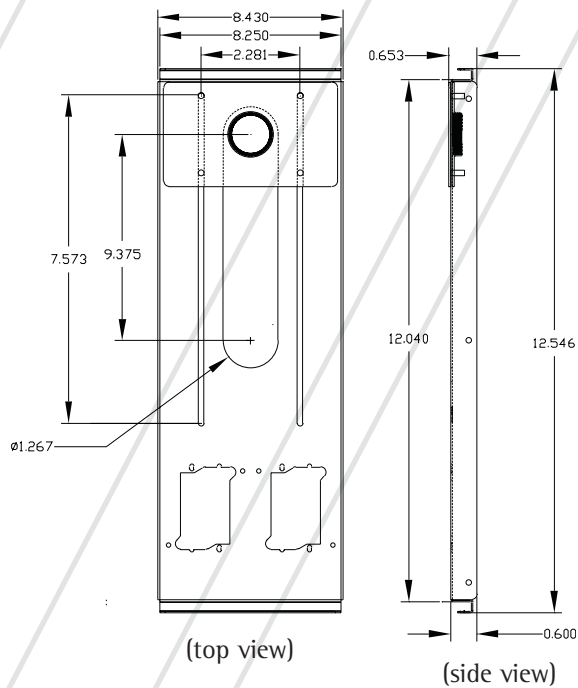
PP-CVR conceals the mount and the PP-FCMA mates with mount and serves as a ceiling plate

Model	Description	Color	Fits	Box Dimensions	MSRP
PP-FCTA	T-Bar Frame Adapter	White	PBC & PBM	12.6 x 2.5 x 29.6	\$104.99
PP-CVR	Hardware Cover	White	Projector Mounts	14 x 14 x 5	\$19.99
PP-FCMA	False Ceiling Plate	White	PBC & PBM	24.25 x 1.89 x 24.25	\$159.99

PP-FCMA



PP-FCTA



*Measurements in inches

PREMIER MOUNTS™
 The original holding company
www.mounts.com • 800.368.9700

North America
 800.368.9700
 800.832.4888 (Fax)

Europe
 44.24.76.614700
 44.24.76.614710 (Fax)

Asia
 81.27.371.6998
 81.27.371.6998 (Fax)

Other Locations
 001.714.632.7100
 001.714.632.1044 (Fax)