

INSTALLATION MANUAL



PBC-UMW



Table of Contents

Warning Statements	4
Parts List	5
Installation Tools	5
Features	7
Projector Preparation	8
Bracket Installation	10
Leveling the Mounting Bracket	11
Securing the Upper Assembly Ceiling Plate	12
Securing the Projector to the Upper Assembly	13
Final Adjustments	14
Plastic Cap Installation	15
Troubleshooting Procedures	16
Technical Specifications	17
Warranty	18
Contact Premier Mounts	18
Notes	19



Warning Statements

WARNING: THE CEILING STRUCTURE MUST BE CAPABLE OF SUPPORTING 25 LBS. IF NOT, THE CEILING MUST BE REINFORCED. PROPER INSTALLATION PROCEDURE BY A QUALIFIED SERVICE TECHNICIAN, AS OUTLINED IN THE INSTALLATION INSTRUCTIONS, MUST BE ADHERED TO. FAILURE TO DO SO COULD RESULT IN SERIOUS PERSONAL INJURY, OR EVEN DEATH.

WARNING: SAFETY MEASURES MUST BE PRACTICED AT ALL TIMES DURING THE INSTALLATION OF THIS PRODUCT. USE PROPER SAFETY GEAR AND TOOLS FOR THE INSTALLATION PROCEDURE TO PREVENT PERSONAL INJURY.

WARNING: PRIOR TO THE INSTALLATION OF THIS PRODUCT, THE INSTALLATION INSTRUCTIONS SHOULD BE READ AND COMPLETELY UNDERSTOOD. THE INSTALLATION INSTRUCTIONS MUST BE READ TO PREVENT PERSONAL INJURY AND PROPERTY DAMAGE. KEEP THESE INSTALLATION INSTRUCTIONS IN AN EASILY ACCESSIBLE LOCATION FOR FUTURE REFERENCE.



Indicates that the power plug is to be disconnected from the power outlet.



Contact Premier Mounts with any questions.



Safety precautions must be taken at all times.



Warning and Caution statements.



A secure structure must support the weight, or load, of the projector. When mounting to a ceiling that contains wooden studs, dead center of the wooden stud must be confirmed prior to installation.



Do not install on a structure that is prone to vibration, movement or chance of impact. Failure to do so could result in damage to the projector and/or damage to the mounting surface.



Do not install near heater, fireplace, direct sunlight, air conditioning or any other source of direct heat energy. Failure to do so may result in damage to the projector and could increase the risk of fire.



At least two qualified people should perform the installation procedure. Injury and/or damage can result from dropping or mishandling the projector.

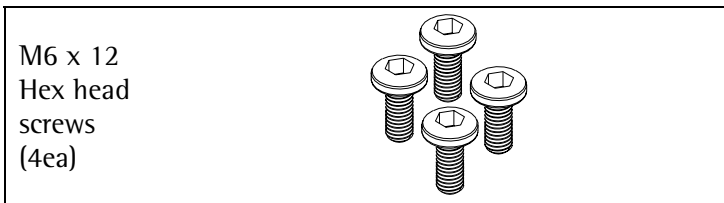
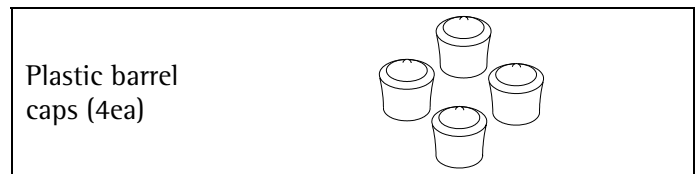
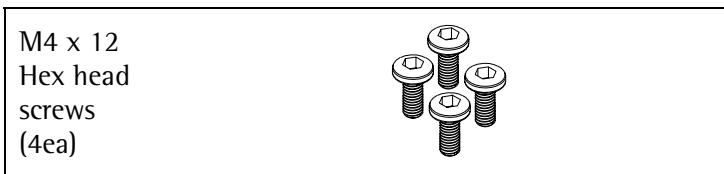
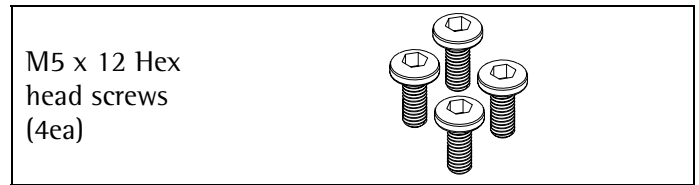
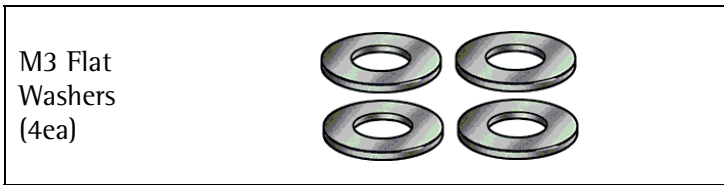
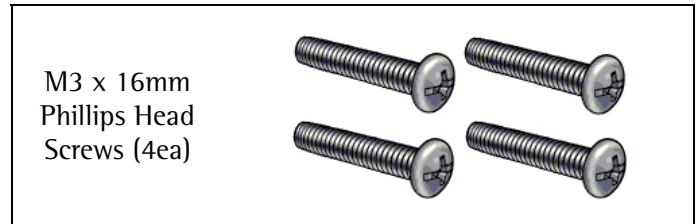
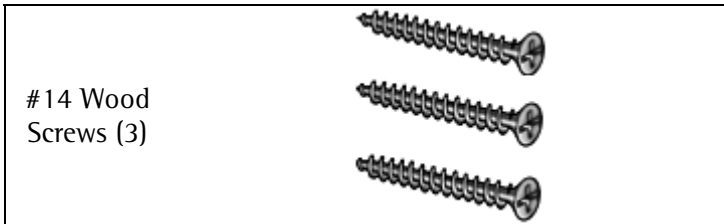
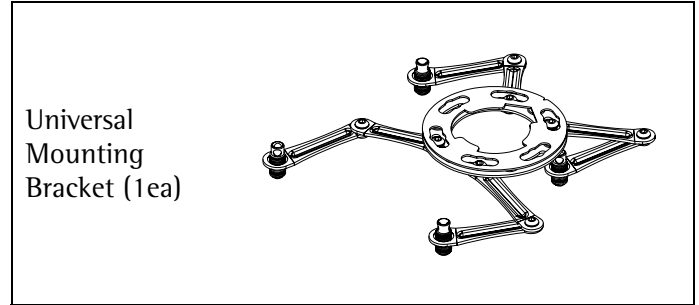
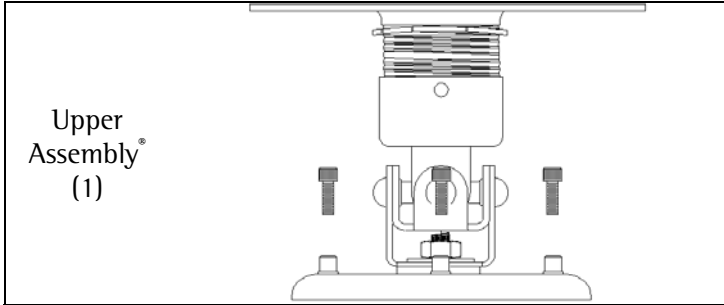


Recommended mounting surfaces: wooden studs and solid-flat concrete. If the mount is to be installed on any surface other than wooden studs, use suitable hardware (which is commercially available).



Parts List

NOTE: This mount is shipped with all proper installation hardware and components. Make sure that none of these parts are missing and/or damaged before beginning installation. If there are parts missing and/or damaged, please stop the installation and contact Premier Mounts (800) 368-9700.



Installation Tools

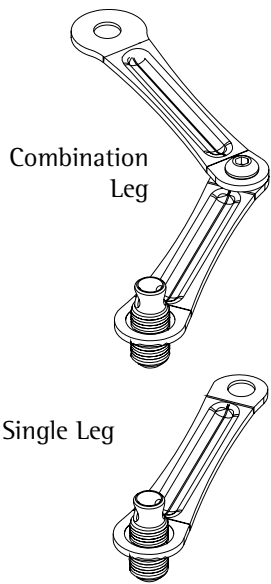
- Phillips Head Screw Driver
- Soft Material/ Blanket
- 1/4" Drill Bit
- Tape Measure
- Stud Finder (Commercially Available)
- M3 Allen Wrench (Supplied)

- Portable Drill
- Pencil
- Green Level (Supplied)
- Wrench with 1/2" Drive Socket
- Ladder
- M5 Allen Wrench (Supplied)

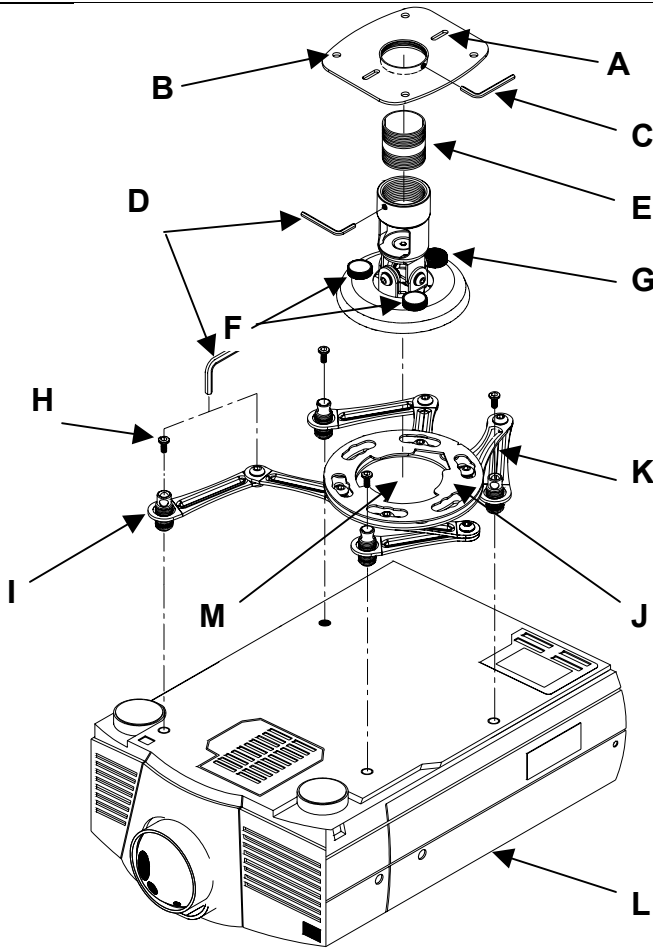


A	Single Wooden Stud Mounts
B	Solid Structure Mounting Points
C	M3 Allen Wrench
D	Allen Wrench
E	1.5" nipple (NTP)
F	Tension Knobs
G	Safety Knob
H	Security Screws
I	Leveling Screws
J	Universal Mounting bracket
K	Leg Assembly
L	Projector (not included)
M	Tri-Lock Opening

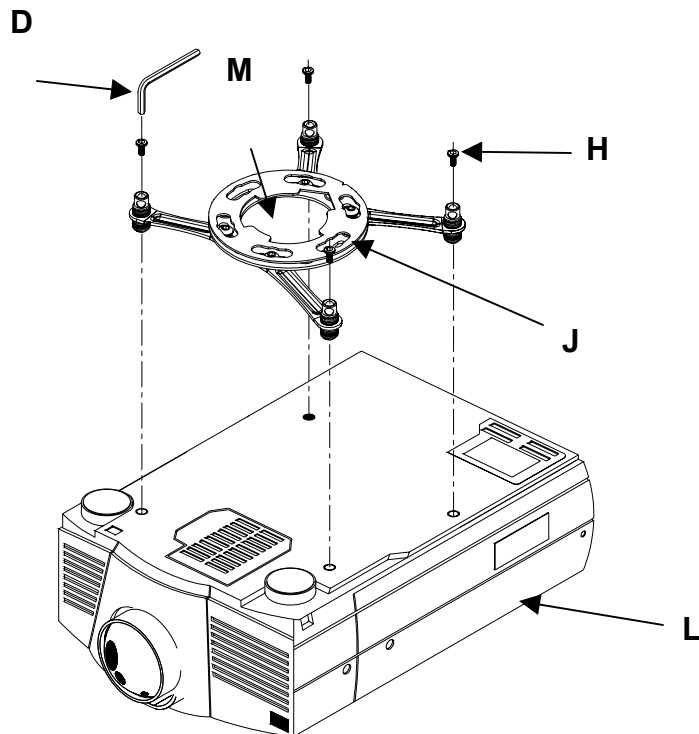
NOTE: The four (two-piece) leg assemblies can be used as single leg or any combination of single and dual legs together as shown in Options 1 and 2. The number of legs may vary depending on the number of mounting points found on the bottom of the projector.



Option 1



Option 2





Features

Congratulations on your recent purchase of the your PBC-UMW universal projector ceiling mount kit. This unit is designed for projectors weighing 25lbs. (13kg) or less. The mount is easy to install and is loaded with additional installation features built into the mount. These features allow you to optimize the projector's position to the screen for the best projector performance and picture quality.

- Can be mounted to the ceiling
- Tilt/Roll up to $\pm 20^\circ$
- Rotates 360°
- Positive locking in any set position
- Quick release system for easy projector mounting and removal
- Cables can be routed inside pipe
- Upper ceiling plate allows for single wooden stud installation and cable insertion through the ceiling plate for a cleaner appearance



Projector Preparation

CAUTION: THE PROJECTOR IS FRAGILE; HANDLE WITH CARE AT ALL TIMES.

NOTE: Review the projector manufacturer's operation manual and refer to the ceiling mount installation section. Important information concerning the installation dimensions (i.e. distance from the screen to the lens of the projector, top of the lens placement to the top screen, etc.) will be found in this section. Adherence to these instructions will simplify the installation and enhance the quality of the final screen image.

1. Carefully invert the projector and place it on a smooth, flat surface.
2. Identify the number of mounting points and screw thread size. Most projectors have either three or four mounting points and are M4, M5 or M6 in thread size (Figure 1).

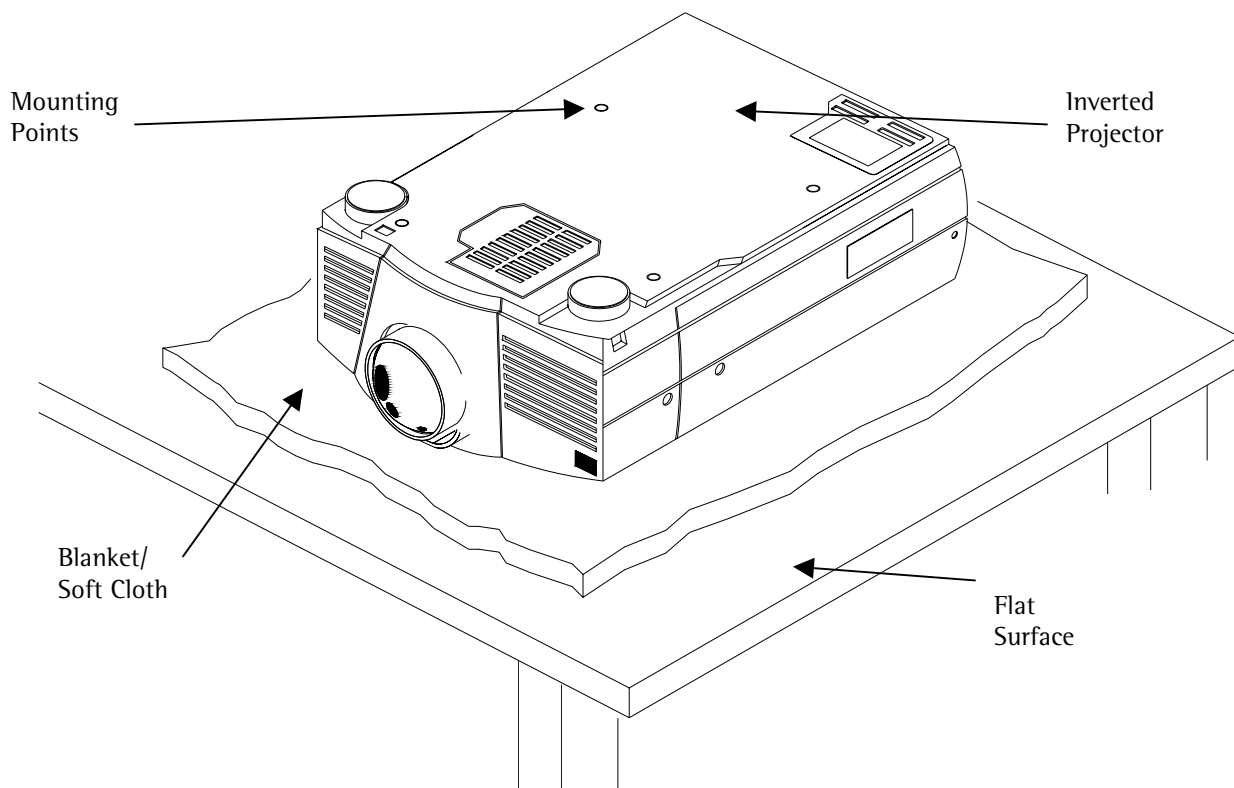


Figure 1. Projector Preparation

3. Separate the upper assembly from the projector mounting bracket by slightly loosening the two tension knurl knobs to create free play between the bracket tri-lock assembly and the upper section tri-lock assembly points (Figure 2A and Figure 2B).
4. Loosen the security screw knurl knob far enough to allow the two parts to be rotated 180° apart and separate (Figure 2C).

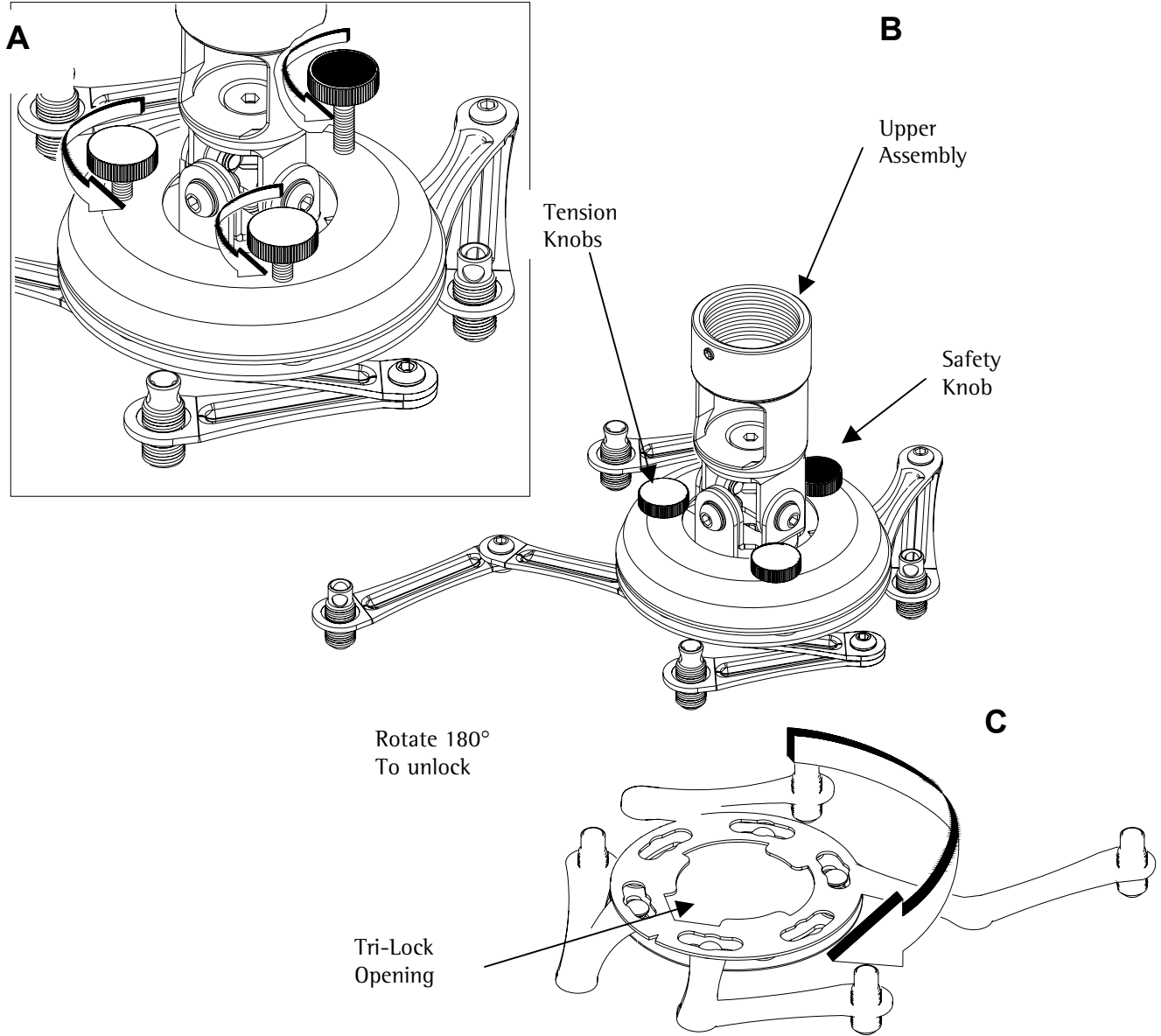


Figure 2. Mount Preparation



Bracket Installation

NOTE: The two-piece mounting kegs are designed to allow for the positioning of each leg around projector air vents located on the base of the projector. Where applicable, each leg mount may be shortened by removing the locking screw. This will allow for a better bracket fit, overall.

NOTE: For easier installation, the mounting legs should be first mounted to the projector. Each leg should then be adjusted so that they can mount to the Universal Mount (Figure 3).

1. Locate the mounting points on the bottom of the projector and use the appropriate number of mounting legs.
2. Select the mounting hardware that the projector requires and loosely install the universal mount on the projector.

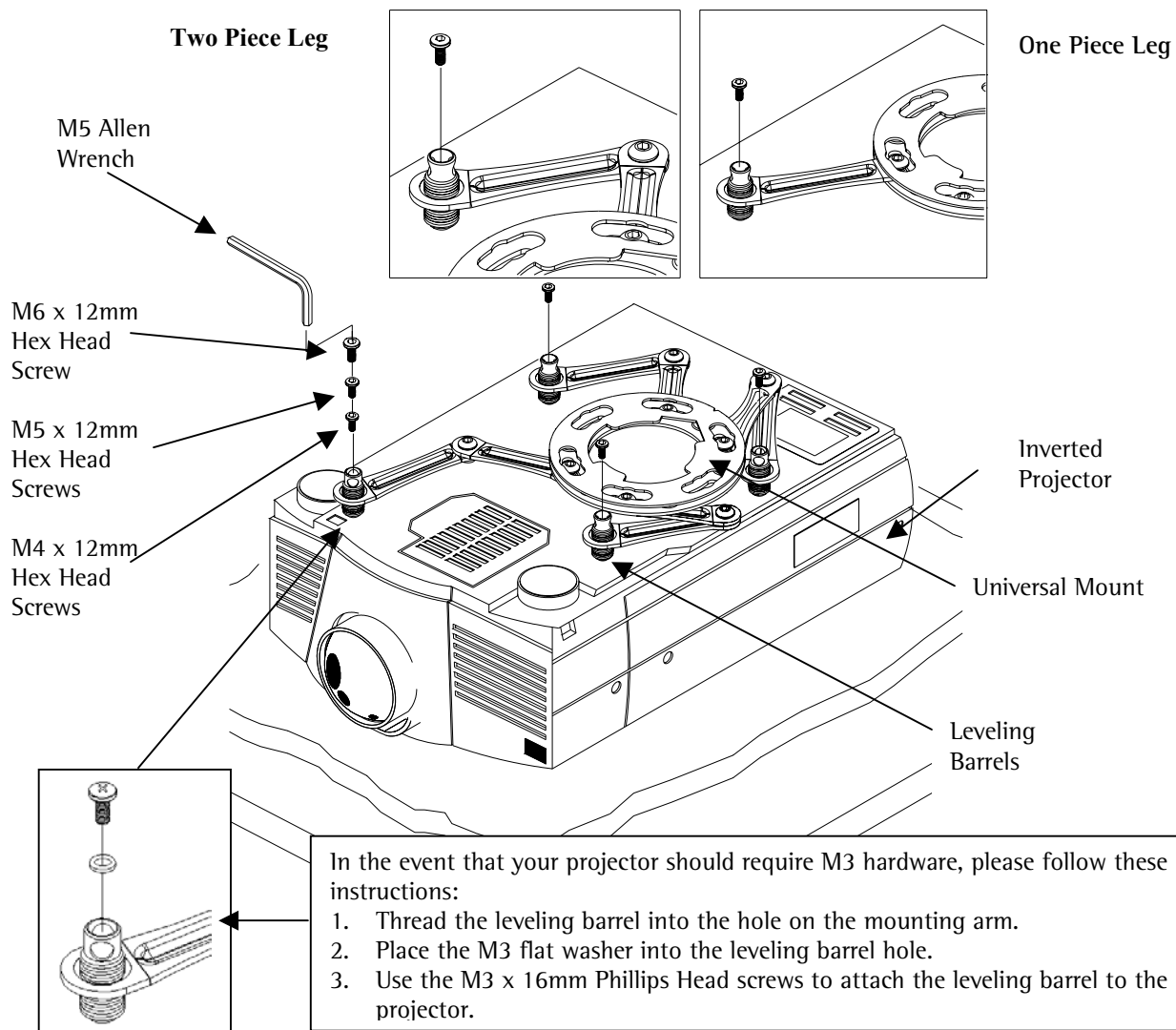


Figure 3. Bracket Installation



Leveling the Mounting Bracket

CAUTION: Secure but do not over tighten the mounting hardware. Failure to do so will result in damaging the threads in the projector.

1. Rotate the leveling barrels to level the mounting bracket.
2. Position the mounting bracket so that it avoids most, if not all, ventilation points (including lamp and filter access doors).
3. When the desired position is achieved, tighten the mounting screws to the projector and then tighten the hex head leg screws with the M5 Allen wrench (Figure 4).

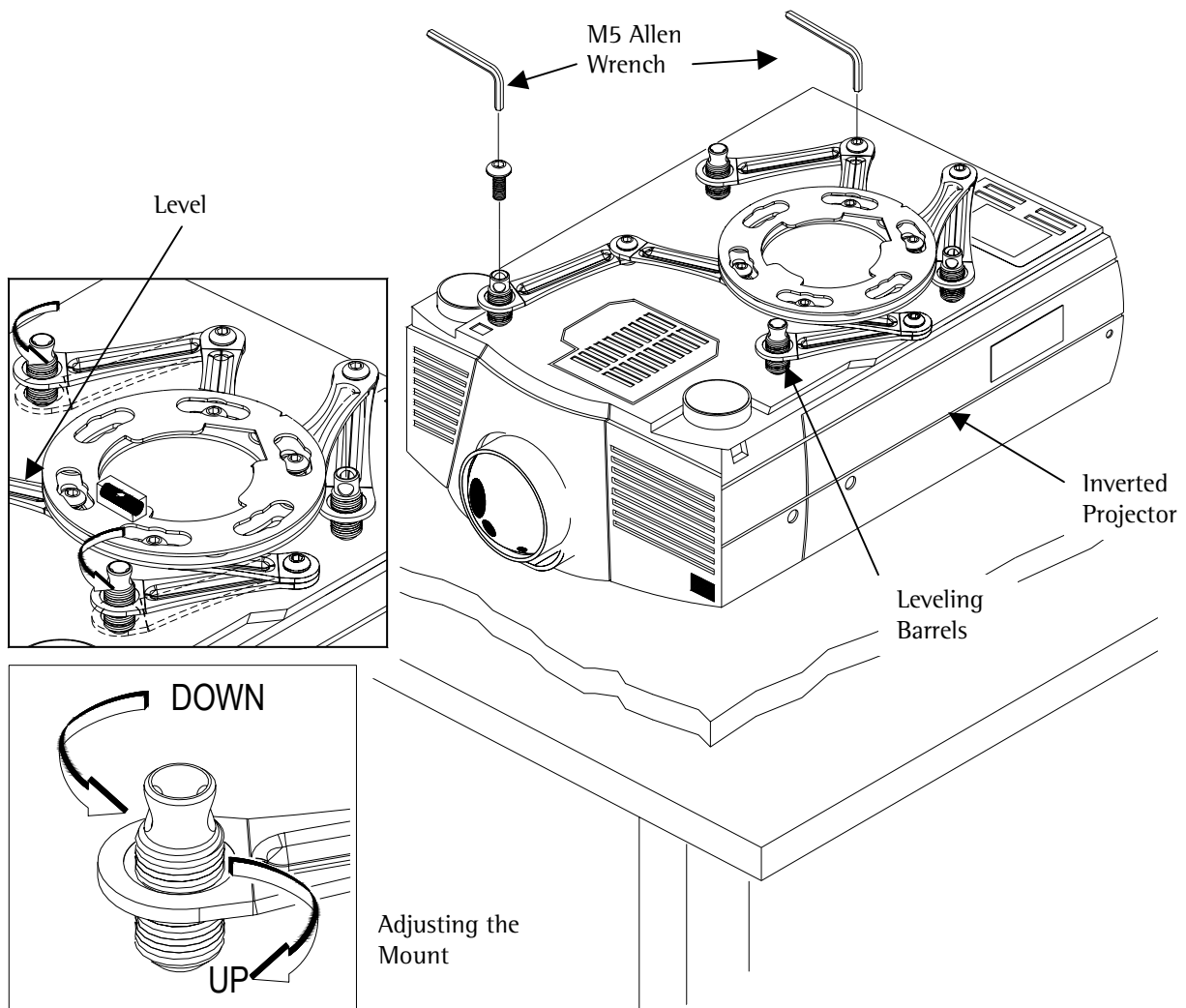


Figure 4. Leveling the Mounting Bracket



Securing the Upper Assembly Ceiling Plate

Review your projector's owner's manual to determine what distance is recommended from the front of the lens to the edge of the screen for best picture ratio.

NOTE: However in most home theater and office ceiling mount installations this is not practical as the projector would be too low within the room. At a minimum you should at least locate the inverted projector's top of the lens point to a point centered horizontally on the screen and no higher than the top image edge of the screen).

Most projector manufacturers prefer to have the center of the projector lens centered of the top of the screen when the projector is inverted for ceiling mounting. It is normally better to have the top edge of the lens as close to parallel with the top image edge of the screen as well. Before you mount your screen and projector, make sure the mounting location will safely support the weight of the projector.

NOTE: Make sure to measure from the center of the mounting bracket to the front edge of the lens to determine the proper placement of the center of the upper assembly.

1. Secure the ceiling assembly into a solid wood ceiling stud with the two (2) #14 x 2" wood screws (supplied) or with other (commercially available) hardware depending on your installation environment (Figure 5).

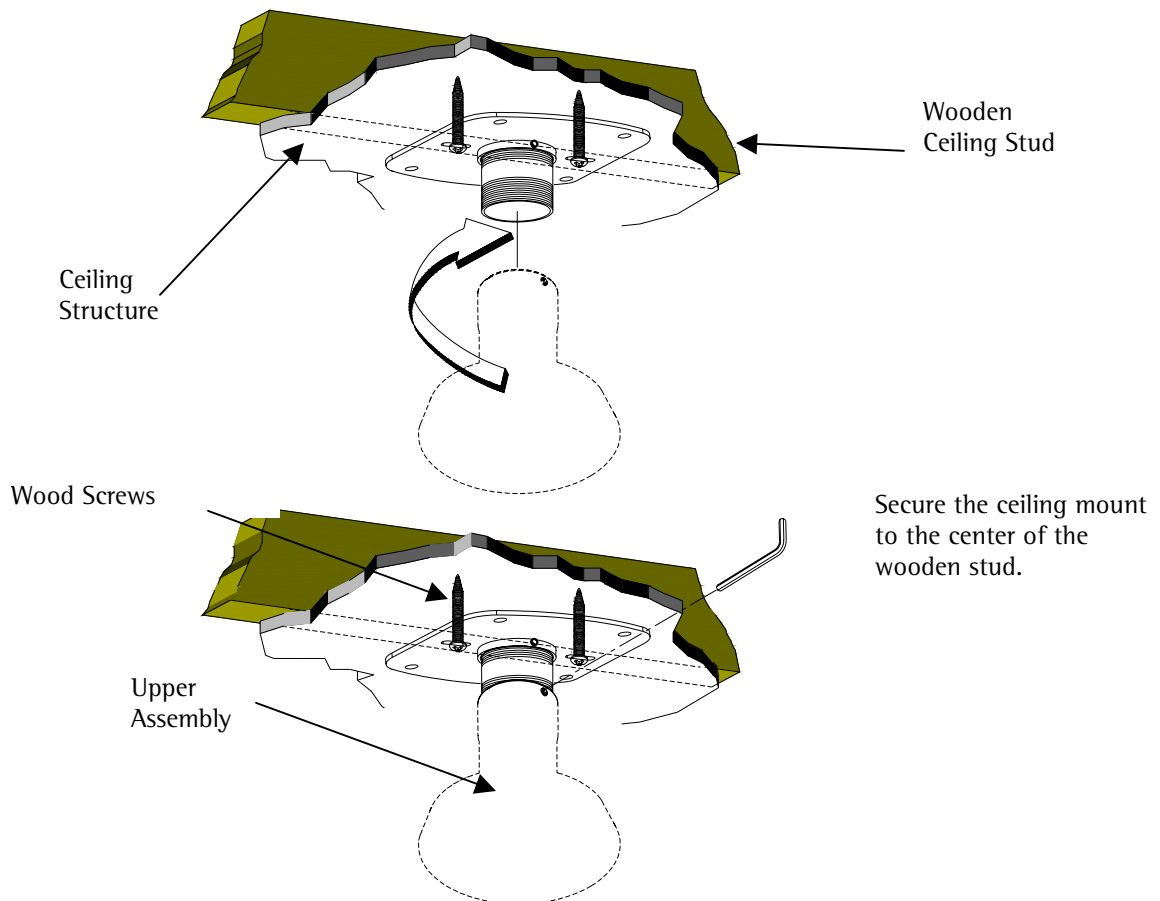


Figure 5. Securing the Upper Assembly Ceiling Plate



Securing the Projector to the Upper Assembly

1. Make sure the three-knurl knobs are loosened to fully expose to the “tri-lock” mounting plate in the base of the upper assembly.
2. Carefully lift the projector and insert the mounting bracket mating special tri-lock cutout into the mating portion of the upper assembly.
3. Once inserted rotate the projector and mounting bracket 180° and secure the rear safety knob first to prevent further rotation of the bracket in the upper assembly.
4. Tighten the remaining two tension knurl knobs until the mount becomes rigid. The safety knob should line up with the alignment slot on the mounting bracket.

NOTE: Follow the numbering sequence prior to securing the projector to the upper assembly.

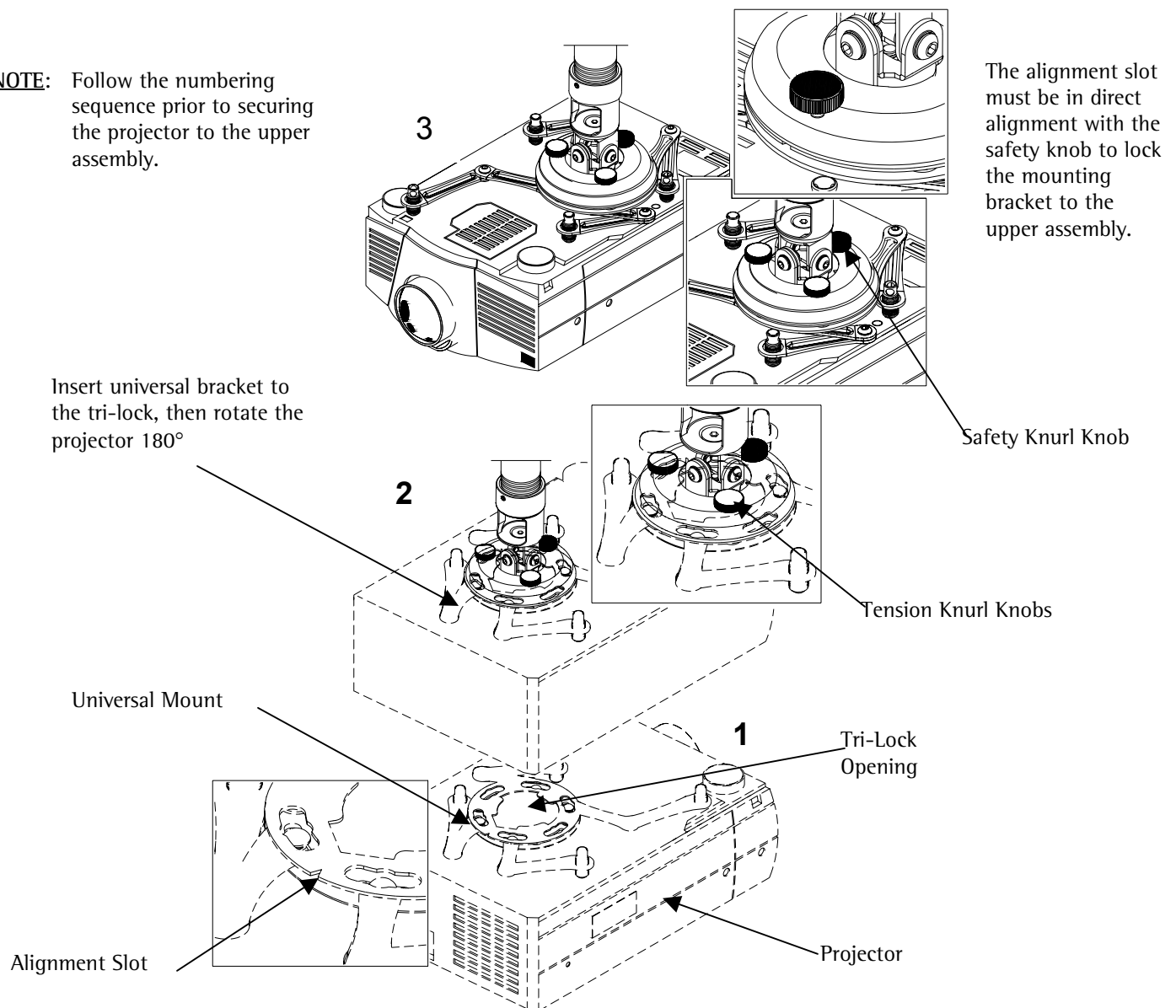


Figure 6. Low Profile Installation



Final Adjustments

1. With the projector secured in the mount and power on and signal supplied to the projector you can now proceed with the final height, tilt, roll and yaw to optimize the projected image.

A

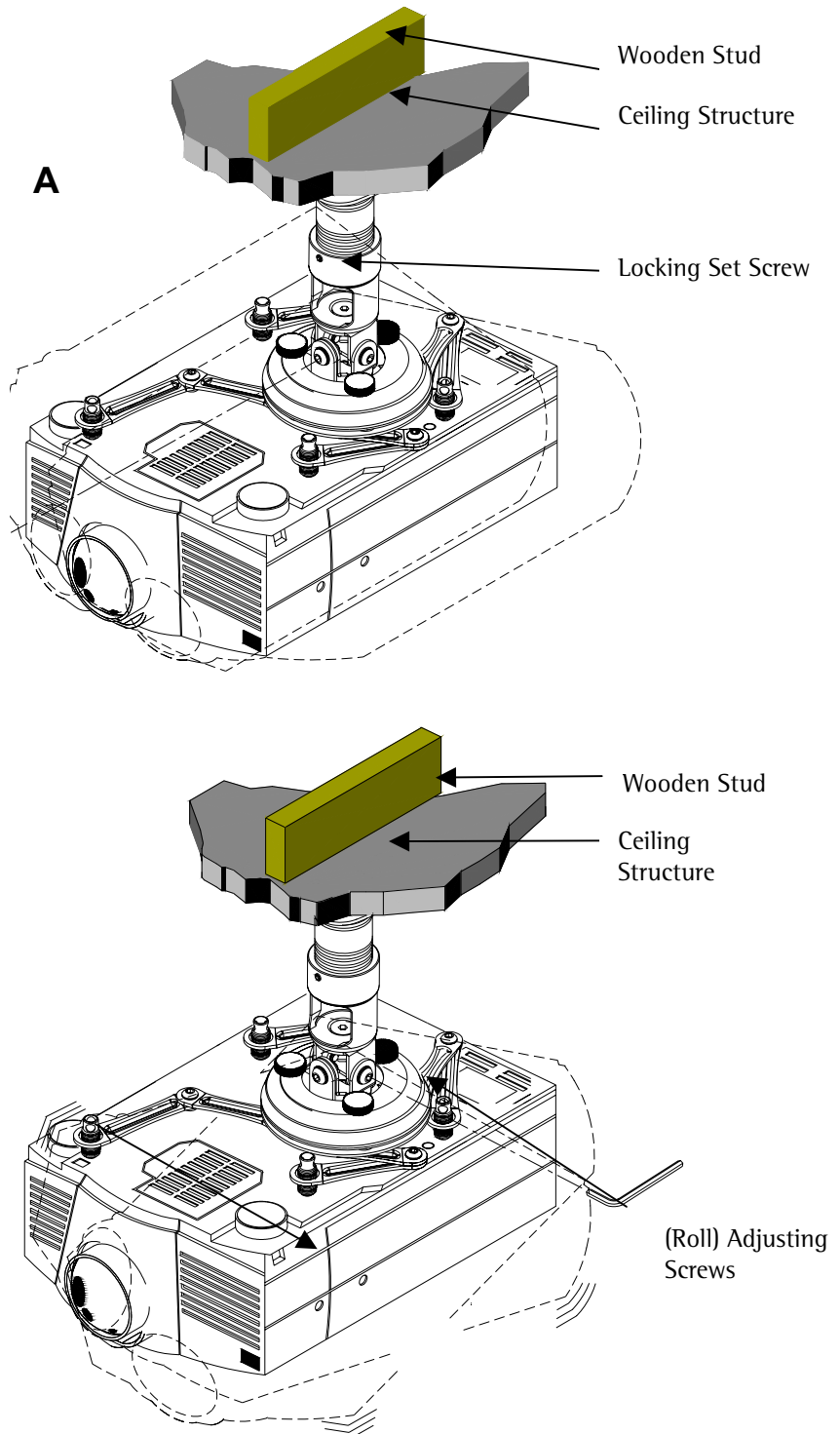
The height can be adjusted by rotating the PBC clockwise (higher) / counter-clockwise (lower). Once the height is achieved, tighten the locking set screw using the supplied Allen Wrench.

B

To adjust the tilt angle of the projector, slightly loosen the side M8 screws and tilt to the desired angle and firmly tighten the two M8 adjustment screws.

C

If roll adjustment is needed to square the images on the screen, slightly loosen the front and rear M8 screws and adjust to the desired angle. Then firmly tighten the two M8 adjustment screws.



Re-check the hardware for tightness and security.

Figure 7. Final Adjustments



Plastic Cap Installation

1. Once all the final adjustments have been finished, install the plastic caps on the leveling barrels (Figure 8).

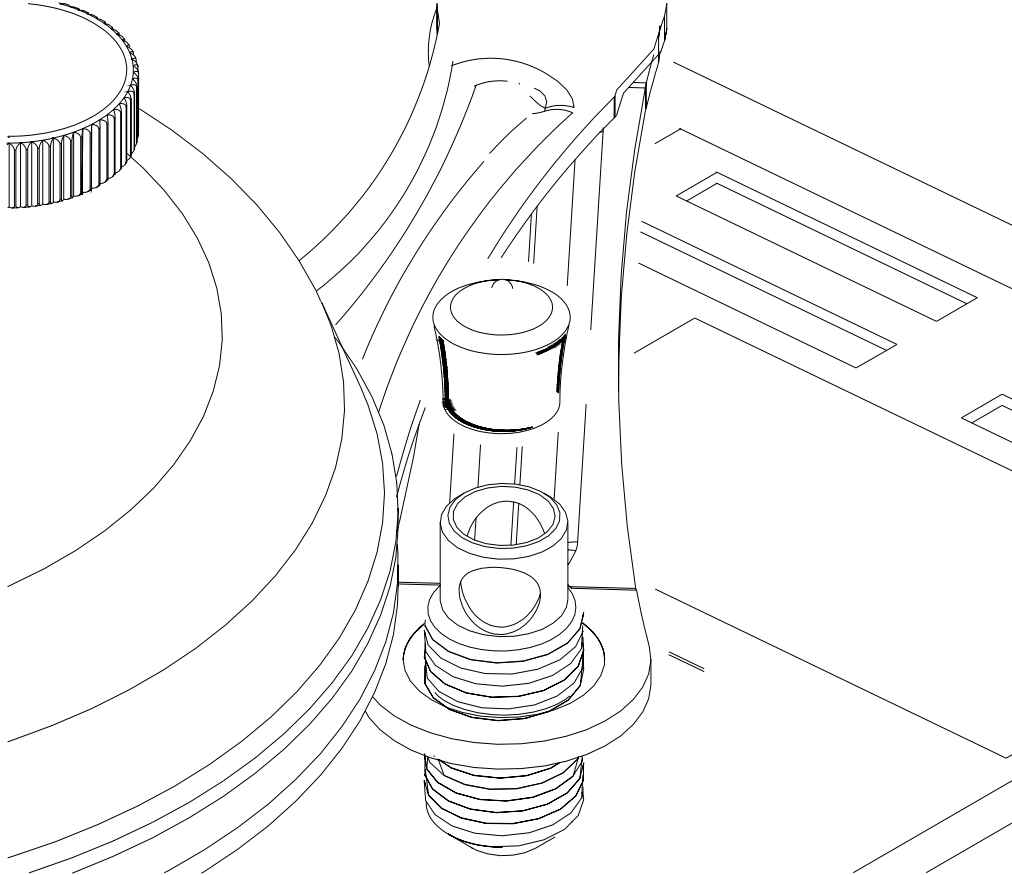


Figure 8. Plastic Cap Installation



Troubleshooting Procedures

QUESTION: My projector mount must be set at an angle to be viewed properly on the wall, but the projector will not hold at this position. Why is this?

ANSWER: The angle adjustments are not tight; they must be tightened.

QUESTION: Why won't my bracket fit my projector?

ANSWER: There may be several mounting positions for your particular bracket. Try to line up the holes on the bracket with the mounting points on the projector. If this still does not solve the problem, then contact Customer Service and advise them of the situation.



Warranty

Limited Lifetime Warranty

All products carry a limited lifetime warranty from ship date against defects in materials and workmanship. Premier Mounts is not liable for improper installation that results in damage to mounts, adapters, display equipment or personal injury.

Contact Premier Mounts

In the event of missing and/or damage equipment, or technical questions, the following information can help in the completion of the installation.

Customer Service – (800) 368-9700



Notes



Premier Mounts

3130 E. Miraloma Avenue
Anaheim, CA 92806

Phone: (800) 368-9700 Fax: (800) 832-4888
mounts@mounts.com www.mounts.com

Rev. 01