

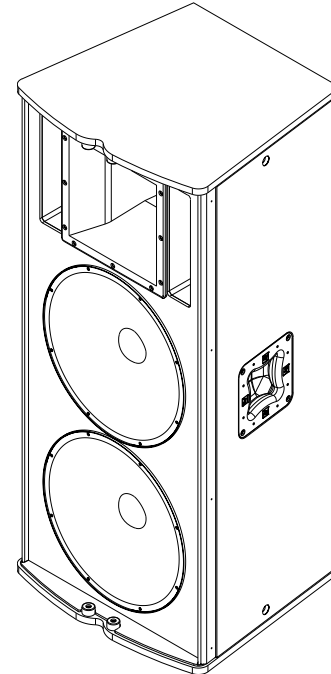
TX2152

TX2152
Dual 15" Two-Way,
60° x 40° Full-Range
Loudspeaker System



Key Features:

- ND2-8 2" (51mm) Diaphragm, 1" (25.4mm) Exit Neodymium Compression Driver
- Dual SMX2151 15" (381mm) LF Transducers with Fully Symmetric Drive
- Advanced 6th Order Crossover with HF Protection
- 60° x 40° Rotatable Coverage Pattern
- 103 dB Sensitivity, 139 dB Maximum SPL
- 1000W Continuous (4000W Peak) Power Handling
- (6) 3/8" Threaded Points for Suspension



General Description:

The Electro-Voice® TX2152 is a high power, very high sensitivity, 2-way loudspeaker system that can be used in applications that require high SPL while maintaining a smooth response. When combined with the TX2181 subwoofer, the TX2152 is capable of serving as the main PA for small to medium sized live sound venues and nightclubs with extended LF response.

The TX2152 utilizes the ND2, a high output 2" titanium compression driver, coupled to a Constant Directivity™ 60° x 40° horn. This combination results in excellent pattern control in medium throw applications.

Dual SMX2151 15" woofers have FEA optimized magnet structures and shorting rings for ultra low distortion and maximum intelligibility at high SPL levels. The crossover uses very steep 36 dB/octave slopes with equalization for very smooth response in vocal range, and a protection circuit for long term reliability.

The TX2152 has a variety of features that make it equally suited for portable or fixed installation applications. The internally braced, trapezoidal enclosure is constructed out of a combination of plywood and MDF, and coated with EVCoat™ for maximum strength and durability. The unique grille design is very strong, dent resistant, and features a rotatable logo. Four way handles allow for gripping the TX2152 in a variety of positions. Six 3/8" threaded points allow a single TX2152 to be suspended in a various positions in fixed installation applications. The recessed input panel with dual NL4 connectors keeps the connectors hidden and allows for closer placement to a wall or other boundary. The TX2152 is the same width and height as the TX2181, providing a single column appearance when stacked, and uses the minimum amount of space when stored or transported.

Technical Specifications:

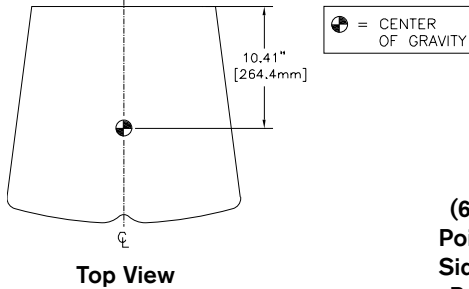
Freq. Response ¹ (-3 dB):	55 Hz - 13 kHz
Freq. Range ¹ (-10 dB):	50 Hz - 18 kHz
Rec. Hipass Frequency:	40 Hz
Axial Sensitivity:	103 dB (1W/1m)
Max. Calculated SPL:	139 dB
Horizontal Coverage:	60°, or 40°
Vertical Coverage:	40°, or 60°
Power Handling:	1000W Continuous, 4000W Peak
LF Transducers:	(2) SMX2151's, 15 in (381mm) Drivers
HF Transducer:	ND2-8, 2 in (51mm) Diaphragm Compression Driver
Crossover Frequency:	1750 Hz
Nominal Impedance:	4 Ohms
Minimum Impedance:	3.1 Ohms
Connectors:	(2) Neutrik Speakon NL4's
Enclosure Material:	Plywood and MDF with EVCoat™
Grille:	16 GA Steel, Black Powdercoat, with Rotatable Logo
Suspension:	(6) 3/8" Threaded Points - (2) on Each Side and (2) on the Rear of Enclosure
Dimensions (H x W x D):	45.4" x 20.0" x 18.5" (1154mm x 508mm x 471mm)
Net Weight:	94.3 lbs (42.8 kg)
Shipping Weight:	105.8 lbs (48.0 kg)

¹ Half Space Measurement.

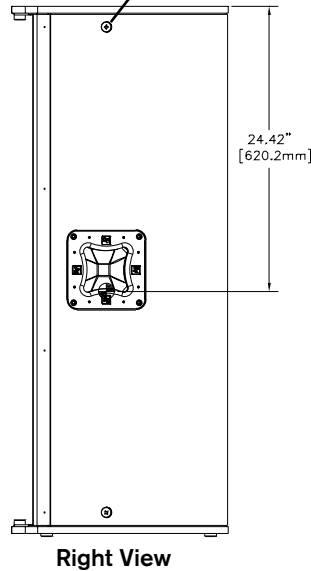
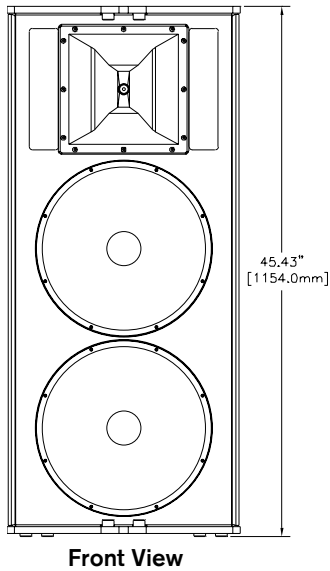
Live For Sound
www.electrovoice.com



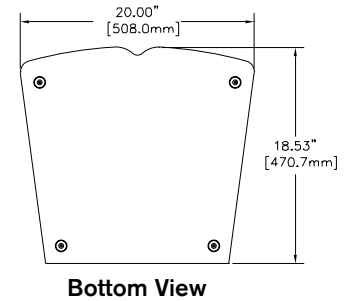
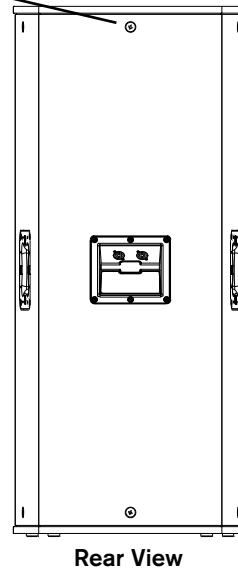
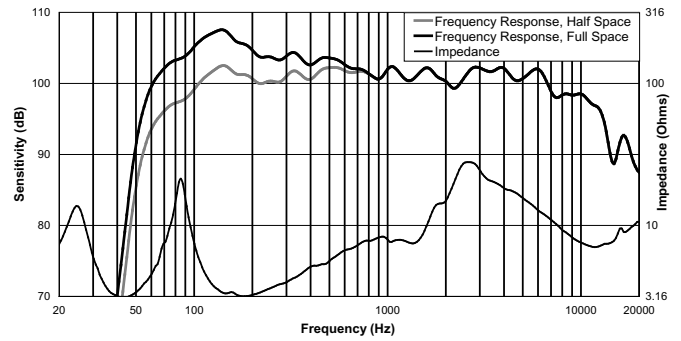
Dimension Drawings:



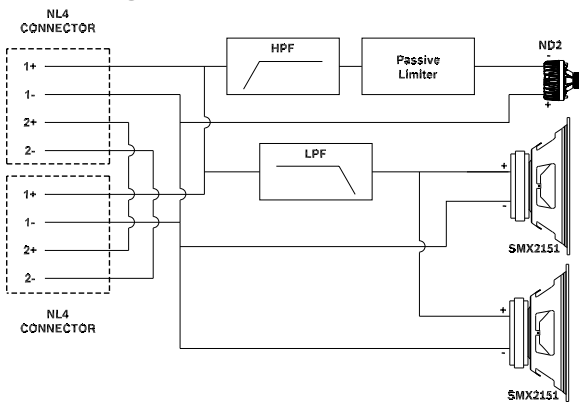
(6) 3/8" Threaded Points - (2) on Each Side and (2) on the Rear of Enclosure



Frequency Response & Impedance:



Block Diagram:



TX2152 Part Numbers

- PRD000140-001 TX2152, Dual 15" Two Way, 60° x 40° Full-Range, Black Finish

Performance Match

- PRD000143-001 TX2181, Dual 18" Sub, Black Finish
- D170401 CP4000S, 120V Power Amplifier, 2 x 1400W
- D170312 CP3000S, 120V Power Amplifier, 2 x 1100W
- D170258 CP2200, 120V Power Amplifier, 2 x 800W
- PRD000043-001 DC-One, 120V Digital Loudspeaker Controller

Accessories

- 5542930 EBK-1, 3/8" Forged Eyebolt Kit, Set of Three



This TX2152 Loudspeaker should be suspended overhead only in accordance with the procedures and limitations specified. This system should be suspended with certified rigging hardware by an authorized rigging professional and in compliance with local, state, and federal overhead suspension ordinances.

Electro-Voice®

12000 Portland Avenue South, Burnsville, MN 55337
Phone: 952/884-4051, Fax: 952/884-0043

www.electrovoice.com

© Bosch Communications Systems

05/2008

Part Number LIT000177 Rev 4

U.S.A. and Canada only. For customer orders, contact Customer Service at: 800/392-3497 Fax: 800/955-6831

Europe, Africa, and Middle East only. For customer orders, contact Customer Service at: + 49 9421-706 0 Fax: + 49 9421-706 265

Other International locations. For customer orders, Contact Customer Service at: + 1 952 884-4051 Fax: + 1 952 887-9212

For warranty repair or service information, contact the Service Repair department at: 800/685-2606

For technical assistance, contact Technical Support at: 866/78AUDIO

Specifications subject to change without notice.