

Gym Equipment Key Switches

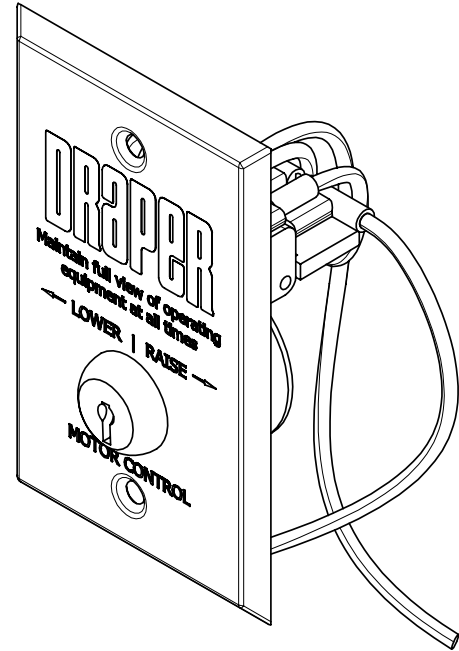
by **DRAPER**

Specifications— Gym Equipment Key Switches —

Draper gymnasium equipment products are controlled with momentary contact, 3 position (on-off-on) flush mount key switches. Switches are spring loaded to automatically return to the off position. UL recognized switches are rated at 25 amps, up to 277 volts and 1 HP at 125 volts. Switches are mounted on stainless steel cover plates and extend no more than 1/4" beyond cover plate. Draper Gym Equipment Key Switches should only be used with instantly reversing motors and should be mounted in a position so that the user has full view of equipment during operation.

Standard practice is to provide individual key switches for every winch, divider curtain or height adjuster to be operated, but multi-ganged switches are available up to seven ganged switches.

Wiring of all electrical components to be in accordance with local electrical codes and in accordance with manufacturer's instructions. All conduit, wiring, electrical boxes and components not indicated above are to be supplied and installed by the electrical contractor. Single switches require a standard switch box that measures 3" (h) x 2 1/4" (w) x 2 1/2" (d). Ganged switches require switch boxes that measure 3" (h) x 1 7/8" times number of switches (w) [See Table on Page 2] and 2 1/2" (d).

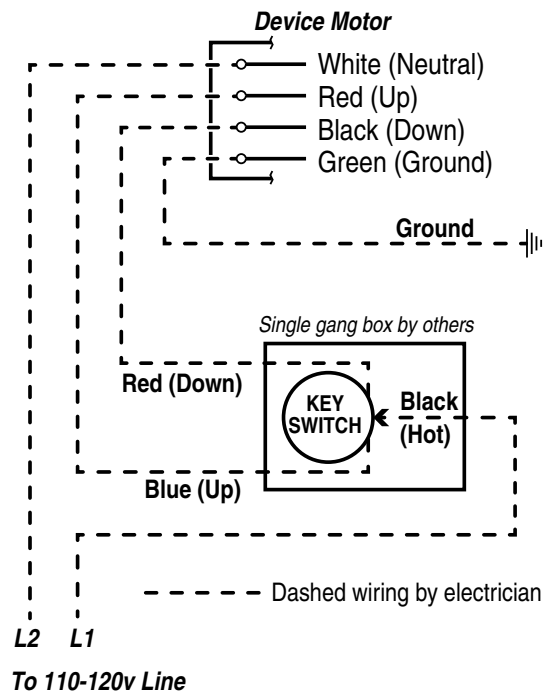


Please Mark Appropriate Selections

- C112.135 Standard Individual Gym Equipment Key Switch
- C112.136 Two Gang Gym Equipment Key Switch
- C112.137 Three Gang Gym Equipment Key Switch
- C112.138 Four Gang Gym Equipment Key Switch
- C112.139 Five Gang Gym Equipment Key Switch
- C112.140 Six Gang Gym Equipment Key Switch
- C112.141 Seven Gang Gym Equipment Key Switch

See reverse side for switch details.

Wiring Diagram



DRAPER

411 S. Pearl St., Spiceland, IN 47385 USA ■ 765-987-7999
 www.draperinc.com ■ fax 765-987-7142
 Copyright © 2015 Draper Inc. Form GymKeySwitches_Sub15 Printed in U.S.A.

PROJECT: _____

ARCHITECT: _____

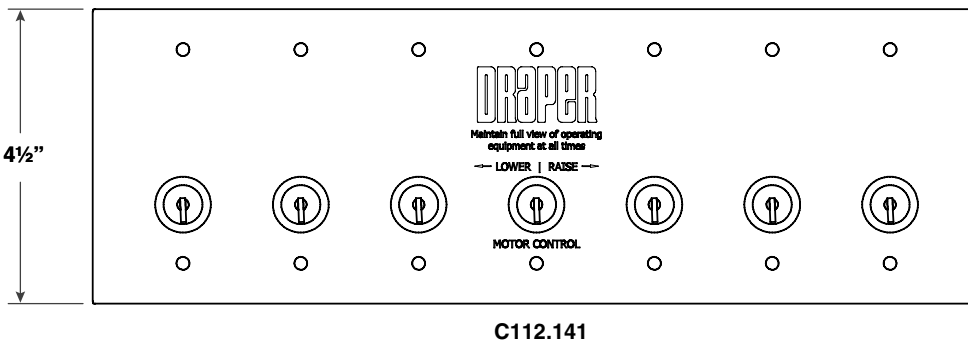
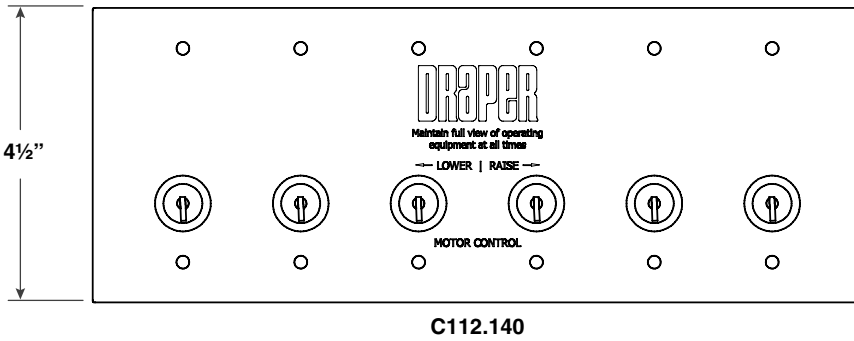
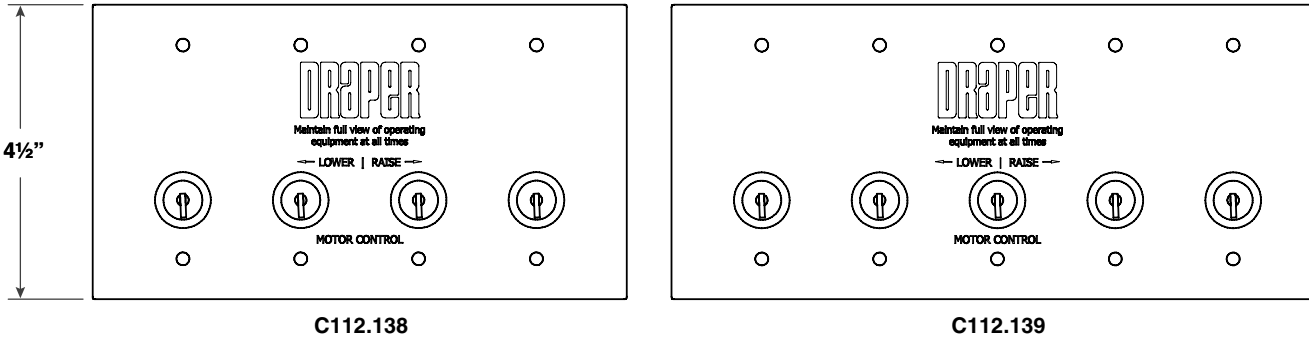
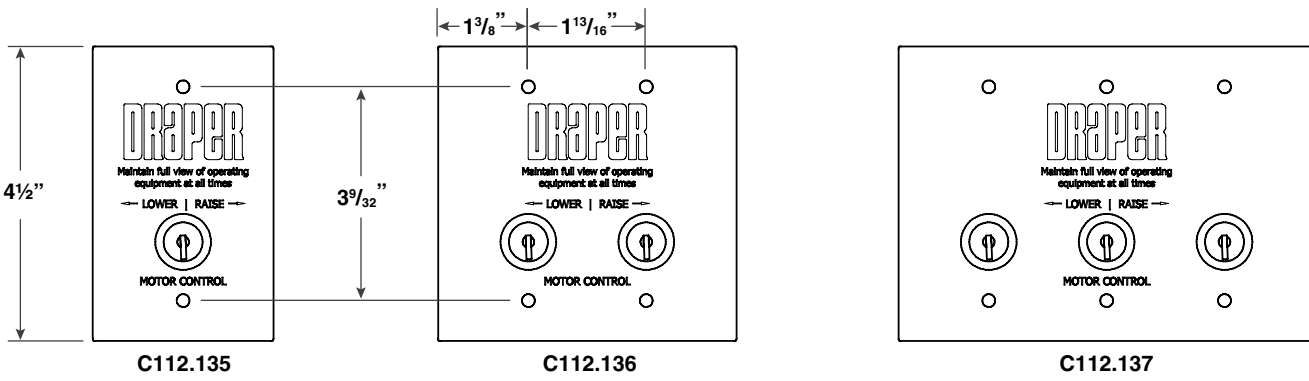
CONTRACTOR: _____

SUPPLIER: _____

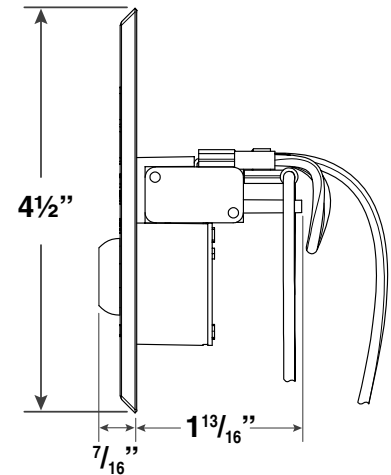
DATE: _____ REVISED: _____

Gym Equipment Key Switches

Key Switch Dimensions



Side View of All



Electrical Device Box (by Others)

Part #	Switch Box Width
C112.135	2 1/4"
C112.136	3 3/4"
C112.137	5 5/8"
C112.138	7 1/2"
C112.139	9 3/8"
C112.140	11 1/2"
C112.141	13 1/8"

