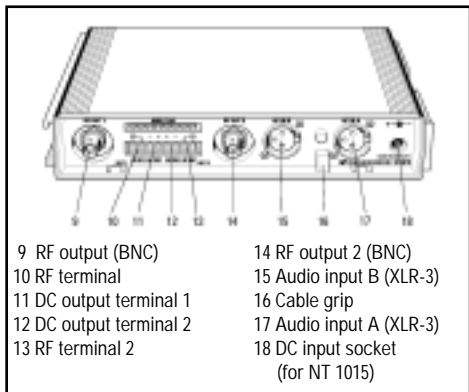


- 1 On/Off switch
- 2 Mains indicator
- 3 Peak LED for chan. A
- 4 Level control chan. A
- 5 Peak LED chan. B
- 6 Level control chan B
- 7 Channel selector switch
- 8 IR monitoring diodes

Front panel



- 9 RF output (BNC)
- 10 RF terminal
- 11 DC output terminal 1
- 12 DC output terminal 2
- 13 RF terminal 2
- 14 RF output 2 (BNC)
- 15 Audio input B (XLR-3)
- 16 Cable grip
- 17 Audio input A (XLR-3)
- 18 DC input socket (for NT 1015)

Back Panel

SI 1015/NT IR Wideband Modulator w/ NT1015 Power Supply

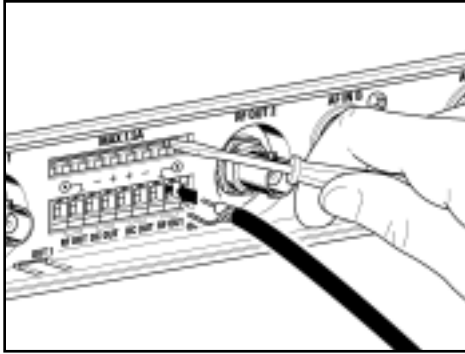
The SI 1015 wideband modulator uses the extremely reliable carrier frequencies 2.3 and 2.8 MHz and can be operated in single-channel, two-channel and stereo modes. The modulator is fitted with two balanced XLR-3 audio inputs and IR monitoring diodes. It can be used with SZI 1015 and SZI 1029 emitters, the signals for the emitters are available at two RF sockets, or, alternatively, at a barrier strip. (The barrier strip—which also powers the connected emitters—can only be used with SZI 1015 and SZI 1029-24 radiators.)

Feature—Benefits

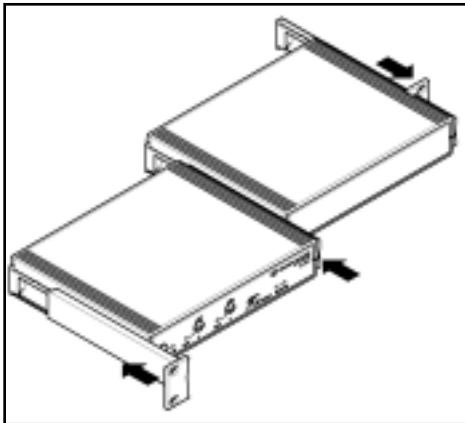
- Modulator for the carrier frequencies 2.3 and 2.8 MHz
- Modulator for single-channel, two-channel or stereo operation
- Monitoring diodes
- Separate barrier strip with RF and DC outputs for connecting emitters
- Convenient interconnectivity
- Controlled from a single location
- Ease of installation
- Excellent reliability
- 1/2 rack, 1 unit high

Technical Data

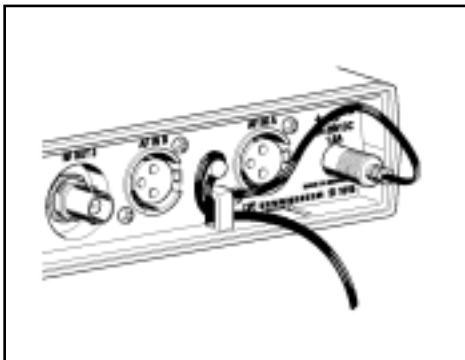
Modulation	Wideband FM
Nominal/peak deviation	± 40 kHz/± 56 kHz
Carrier frequencies	2.3 and 2.8 MHz
AF frequency response	50–15,000 Hz
Audio inputs	2 x XLR-3, balanced
Input impedance	600 Ω
Input sensitivity	50 mV–5 V (line), optional: 1 mV–100 mV (condenser microphone, 12 V phantom powering) 0.4 mV–40 mV (dynamic microphone)
	RF outputs 2 x BNC socket, in parallel with barrier strip, terminating impedance 50 Ω
Operating voltage	24–30 V DC
Current consumption	< 140 mA
Dimensions	1/2 19", 1 U (8.82" w x 1.73" d x 6.81" , without rack-mount ears)
Weight approx.	2.14 lbs.



Connecting a radiator to the barrier strip of the SI 1015: Press down a lug with a screwdriver to open the corresponding terminal.



Mounting the SI 1015 into a rack: the modulator is combined with a GA 1031 CC blank module to form a 19" unit.



The cable grip prevents the power cable from being pulled off.

Supplied Accessories

Two rackmount ears

Optional Accessories

Coax Cable, RG 58, BNC to BNC 6'	BB6
Coax Cable, RG 58, BNC to BNC 25'	BB25
Coax Cable, RG 58, BNC to BNC 100'	BB100
Adapter BNC female to BNC female for linking BB cables	BFBF
Rack adapter, half rack	GA 1031 CC
Coax (RG 59) plus twisted pair, 18 AWG, for connecting RF signal and DC power to SZI 1015, for up to 100'	CBL 1015

Recommended Components

Emitters:

Covers 4,000/2,000 sq. ft single/dual mode	SZI 1015
Covers 12,500/6,250 sq.ft single/dual mode	SZI 1029-24
Single channel stethophone receiver	RI250/RI250-J/RI250-S
Two channel stethophone receiver	HDI302
Charger and power supply for 10 batteries	L151-10 and NT92-120
Charger and power supply for 11-50 batteries	L151-10 (one for every 10 batteries) NT2013-120
Spare rechargeable batteries	BA151 NiMH
Latex replacement ear cushions	EP405L

Product Compatibility

In general, the SI 1015 modulator can be used with the SZI 1015 radiator, all SZI 1029 variants, and the SZI 30 radiator. The earlier SZI 20 radiator cannot be used, as it cannot work with the new frequencies. Other older radiator models such as the SZI 1219 A and SZI 1019 A series models are also not suitable.

Architect's Specifications

The modulator must utilize the higher sub-carrier frequencies of 2.3 and 2.8 MHz for single channel, channel, or stereo operation with an AF frequency response of 50–15,000 Hz. It must be rack-mountable and have two monitoring diodes for the technician. It must accept line level audio input via XLR connector. It must be easy to install using barrier strip with RF and DC outputs for connecting to emitters; and, alternatively, BNC connectors for connecting the RF signal only. It must have AF level controls with LED's indicating peak volumes. The modulator must be capable of remotely powering one or two emitters.

Sennheiser Electronic Corporation, 1 Enterprise Drive, Old Lyme, CT 06371

Telephone: 860-434-9190 • Fax: 860-434-1759 • Web: <http://www.sennheiserusa.com>

Sennheiser Mexico: Av. Xola 613, PH6, Col. Del Valle 03100, Mexico, DF. Telephone: (525) 639-0956. Fax: (525) 639-9482

Sennheiser Canada: 221 Labrosse Ave, Pte-Claire, PQ.H9R 1A3. Telephone: 514-426-3013. Fax: 514-426-3953

Manufacturing Plant: Am Labor 1, 30900 Wedemark, Germany