

# MAGMATIC

## MAGMAFAN1



User Manual

©2022 **MAGMATIC EFFECTS** all rights reserved. Information, specifications, diagrams, images, and instructions herein are subject to change without notice. **MAGMATIC EFFECTS** logo and identifying product names and numbers herein are trademarks of **MAGMATIC EFFECTS**. Copyright protection claimed includes all forms and matters of copyrightable materials and information now allowed by statutory or judicial law or hereinafter granted. Product names used in this document may be trademarks or registered trademarks of their respective companies and are hereby acknowledged. All non-MAGMATIC brands and product names are trademarks or registered trademarks of their respective companies.

**MAGMATIC EFFECTS** and all affiliated companies hereby disclaim any and all liabilities for property, equipment, building, and electrical damages, injuries to any persons, and direct or indirect economic loss associated with the use or reliance of any information contained within this document, and/or as a result of the improper, unsafe, insufficient and negligent assembly, installation, rigging, and operation of this product.

**MAGMATIC EFFECTS** | 6122 S. Eastern Ave. | Los Angeles, CA. 90040  
323-582-3322 | 323-832-9142 fax | [www.elationlighting.com](http://www.elationlighting.com) | [sales@magmaticeffects.com](mailto:sales@magmaticeffects.com)

**Elation Professional B.V.** | Junostraat 2 | 6468 EW Kerkrade, The Netherlands  
+31 45 546 85 66 | +31 45 546 85 96 fax | [www.elationlighting.eu](http://www.elationlighting.eu) | [info@elationlighting.eu](mailto:info@elationlighting.eu)

**Elation Professional Mexico** | AC Santa Ana 30 | Parque Industrial Lerma, Lerma, Mexico 52000  
+52 (728) 282-7070

## DOCUMENT VERSION



Due to additional product features and/or enhancements, an updated version of this document may be available online.

Please check [www.elationlighting.com](http://www.elationlighting.com) for the latest revision/update of this manual before beginning installation and/or programming.

Date	Document Version	Software Version	DMX Channel Mode	Notes
11/17/20	1	1.0	1 / 2 / 4 channels	Initial Release
12/11/20	1.1	N/C	No Change	Updated Input voltage/breaker information, added FCC Statement
02/25/21	1.2	N/C	No Change	Updated Dimensional Drawings & Specifications
02/25/22	1.3	N/C	No Change	Updated IP rating & specifications
10/10/22	1.4	N/C	No Change	Updated Installation Instructions
12/02/22	1.5	N/C	No Change	Added RDM

# CONTENTS

General Information	4
Limited Warranty (USA Only)	5
Warranty Returns (USA Only)	6
Safety Guidelines	7
Maintenance Guidelines	9
Overview	10
Installation Instructions	11
Remote Device Management (RDM)	13
Control Panel	14
System Menu	15
Preset Mode	17
DMX Channel Functions & Values	18
Dimensional Drawings	19
Specifications	20
FCC Statement	21

# GENERAL INFORMATION

## INTRODUCTION

Please read and understand the instructions in this manual carefully and thoroughly before attempting to operate this device. These instructions contain important safety and use information.

**This product is intended to be used by professionally trained personnel only and is not suitable for private use.**

## UNPACKING

Every device has been thoroughly tested and has been shipped in perfect operating condition. Carefully check the shipping carton for damage that may have occurred during shipping. If the carton is damaged, carefully inspect the device for damage, and be sure all accessories necessary to install and operate the device have arrived intact. In the event that damage has been found or parts are missing, please contact our customer support team for further instructions. Please do not return this device to your dealer without first contacting customer support. Please do not discard the shipping carton in the trash. Please recycle whenever possible.

## BOX CONTENTS

Twist-Lock Power Cable (x1)

## CUSTOMER SUPPORT

Contact **MAGMATIC** customer service for any product related service and support needs. Also visit [forums.elationlighting.com](https://forums.elationlighting.com) with questions, comments, or suggestions.

**ELATION SERVICE USA - Monday - Friday 8:00am to 4:30pm PST**

**323-582-3322 | Fax 323-832-9142 | [sales@magmaticeffects.com](mailto:sales@magmaticeffects.com)**

**ELATION SERVICE EUROPE - Monday - Friday 08:30 to 17:00 CET**

**Voice: +31 45 546 85 63 | Fax: +31 45 546 85 96 | [support@elationlighting.eu](mailto:support@elationlighting.eu)**

**REPLACEMENT PARTS:** Please visit [parts.elationlighting.com](https://parts.elationlighting.com)



## IMPORTANT NOTICE!

**THERE ARE NO USER SERVICEABLE PARTS INSIDE THIS UNIT. DO NOT ATTEMPT ANY REPAIRS YOURSELF. DOING SO WILL VOID YOUR MANUFACTURER'S WARRANTY. DAMAGES RESULTING FROM MODIFICATIONS TO THIS FIXTURE AND/OR THE DISREGARD OF SAFETY INSTRUCTIONS AND GUIDELINES IN THIS MANUAL VOID THE MANUFACTURER'S WARRANTY AND ARE NOT SUBJECT TO ANY WARRANTY CLAIMS AND/OR REPAIRS.**

## LIMITED WARRANTY (USA ONLY)

- A. Magmatic Effects hereby warrants, to the original purchaser, Magmatic products to be free of manufacturing defects in material and workmanship for a period of two years (730 days) from the original date of purchase. This warranty excludes discharge lamps and all product accessories. This warranty shall be valid only if the product is purchased within the United States of America, including possessions and territories. It is the owner's responsibility to establish the date and place of purchase by acceptable evidence, at the time service is sought.
- B. For warranty service, send the product only to the Magmatic Effects factory. All shipping charges must be pre-paid. If the requested repairs or service (including parts replacement) are within the terms of this warranty, Magmatic Effects will pay return shipping charges only to a designated point within the United States. If any product is sent, it must be shipped in its original package and packaging material. No accessories should be shipped with the product. If any accessories are shipped with the product, Magmatic Effects shall have no liability what so ever for loss and/or damage to any such accessories, nor for the safe return thereof.
- C. This warranty is void if the product serial number and/or labels are altered or removed; if the product is modified in any manner which Magmatic Effects concludes, after inspection, affects the reliability of the product; if the product has been repaired or serviced by anyone other than the Magmatic Effects factory unless prior written authorization was issued to purchaser by Magmatic Effects; if the product is damaged because not properly maintained as set forth in the product instructions, guidelines and/or user manual.
- D. This is not a service contract, and this warranty does not include any maintenance, cleaning or periodic check-up. During the periods as specified above, Magmatic Effects will replace defective parts at its expense, and will absorb all expenses for warranty service and repair labor by reason of defects in material or workmanship. The sole responsibility of Magmatic Effects under this warranty shall be limited to the repair of the product, or replacement thereof, including parts, at the sole discretion of Magmatic Effects. All products covered by this warranty were manufactured after January 1, 1990, and bear identifying marks to that effect.
- E. Magmatic Effects reserves the right to make changes in design and/or performance improvements upon its products without any obligation to include these changes in any products theretofore manufactured.
- F. No warranty, whether expressed or implied, is given or made with respect to any accessory supplied with the products described above. Except to the extent prohibited by applicable law, all implied warranties made by Magmatic Effects in connection with this product, including warranties of merchantability or fitness, are limited in duration to the warranty periods set forth above. And no warranties, whether expressed or implied, including warranties of merchantability or fitness, shall apply to this product after said periods have expired. The consumer's and/or dealer's sole remedy shall be such repair or replacement as is expressly provided above; and under no circumstances shall Magmatic Effects be liable for any loss and/or damage, direct and/or consequential, arising out of the use of, and/or the inability to use, this product.
- G. This warranty is the only written warranty applicable to Magmatic Effects products and supersedes all prior warranties and written descriptions of warranty terms and conditions heretofore published.

## **WARRANTY RETURNS (USA ONLY)**

To obtain warranty service, a Return Material Authorization (RMA) number must first be obtained from MAGMATIC. It is the Customer's responsibility to provide product proof of purchase and serial number by acceptable evidence such as an invoice copy or an approved MAGMATIC Extended Warranty Certificate ("EWC") and any relevant maintenance records at the time warranty service is sought. Failure to provide acceptable evidence of product proof of purchase or EWC and any relevant maintenance records may be cause for denial of warranty service.

Products returned for warranty service must be sent without any accessories (i.e., power, data, and safety cables, brackets, clamps, rigging hardware, frost filters, gel frames, barn doors, lenses, hoses, nozzles, rack mounting hardware, etc.), must be boxed using the original and/or suitable packaging materials (double-box and foam) that provides ample product protection for ground and/or air freight transit, and must be shipped freight pre-paid and insured to MAGMATIC in Los Angeles, CA or a MAGMATIC Authorized Service Center. The RMA number must be clearly written on the outside of the return box, and a brief description of the problem and the RMA number must be documented and included in the box.

Products returned for warranty service without an RMA number clearly marked on the outside of the package will be refused and returned to the shipper at the Customer's expense. Products returned for warranty service, which are received damaged due to inadequate and/or improper packaging and/or due to damage caused by the shipping carrier, may incur additional repair charges before warranty service begins and/or may void this warranty. If any product accessories (included and/or optional) are shipped with the product, MAGMATIC and/or the MAGMATIC Authorized Service Center shall have no liability what so ever for the loss and/or damage to any such accessories, nor the safe return thereof. If the requested warranty repairs or service (including parts replacement) are within the terms of this warranty, MAGMATIC will pay return ground transportation shipping charges to a single designated point within the United States.

# SAFETY GUIDELINES

This fixture is a sophisticated piece of electronic equipment. To guarantee smooth operation, it is important to follow all instructions and guidelines in this manual. Magmatic Effects is not responsible for injury and/or damages resulting from the misuse of this fixture due to the disregard of the information printed in this manual. Only qualified and/or certified personnel should perform installation of this fixture and only the original parts included with this fixture should be used for installation. Any modifications to the fixture and/or the included mounting hardware will void the original manufacturer's warranty and increase the risk of damage and/or personal injury.



**PROTECTION CLASS 1 - FIXTURE MUST BE PROPERLY GROUNDED.**



**THERE ARE NO USER SERVICEABLE PARTS INSIDE THIS UNIT. DO NOT ATTEMPT ANY REPAIRS YOURSELF. DOING SO WILL VOID YOUR MANUFACTURER'S WARRANTY. DAMAGES RESULTING FROM MODIFICATIONS TO THIS DEVICE AND/OR THE DISREGARD OF SAFETY INSTRUCTIONS AND GUIDELINES IN THIS MANUAL VOID THE MANUFACTURER'S WARRANTY AND ARE NOT SUBJECT TO ANY WARRANTY CLAIMS AND/OR REPAIRS.**



**DO NOT PLUG THIS UNIT INTO A DIMMER PACK  
NEVER OPEN THIS FIXTURE WHILE IN USE!  
UNPLUG POWER BEFORE SERVICING FIXTURE!  
NEVER TOUCH FIXTURE DURING OPERATION, AS IT MAY BE HOT!  
KEEP FLAMMABLE MATERIALS AWAY FROM FIXTURE!**



**THIS IP RATED FIXTURE HAS BEEN DESIGNED FOR TEMPORARY OUTDOOR ENVIRONMENTS. IT HAS NOT BEEN TESTED TO PROTECT AGAINST THE INGRESS OF DUST (X) BUT HAS BEEN TESTED TO PROTECT FROM A SPLASH OF WATER IN ANY DIRECTION (4).**

# SAFETY GUIDELINES

- **DO NOT TOUCH** the device housing during operation. Turn OFF the power and allow approximately 15 minutes for the device to cool down before servicing.
- **DO NOT** shake the device, and avoid brute force when installing and/or operating.
- **DO NOT** operate device if the power cord is frayed, crimped, damaged and/or if any of the power cord connectors are damaged and do not insert into the device securely and with ease. **NEVER** force a power cord connector into the device. If the power cord or any of its connectors are damaged, replace it immediately with a new one of similar power rating.
- **DO NOT** block any air ventilation slots.
- All fan and air inlets must remain clean and free of dust and debris.
- Allow approx. 6" (15cm) between fixture and other devices or a wall for proper cooling.
- When installing the device in a suspended environment, always use appropriately rated hardware, and always secure the device with an appropriately rated safety cable.
- Always disconnect device from main power source before performing any type of service and/or cleaning procedure. Only handle the power cord by the plug end, and **NEVER** pull out the plug by tugging the wire portion of the cord.
- Consistent operational breaks will ensure device will function properly for many years.
- **ONLY** use the original packaging and materials to transport the fixture for service.



# MAINTENANCE GUIDELINES



**DISCONNECT POWER BEFORE PERFORMING ANY MAINTENANCE!**

## **CLEANING**

Frequent cleaning is recommended to ensure proper function and an extended life. The frequency of cleaning depends on the environment in which the device operates: damp, smoky, or particularly dirty environments can cause greater accumulation of dirt on the device. Clean the external surface periodically with a soft cloth to avoid dirt/debris accumulation.

**NEVER** use alcohol, solvents, or ammonia-based cleaners.

## **MAINTENANCE**

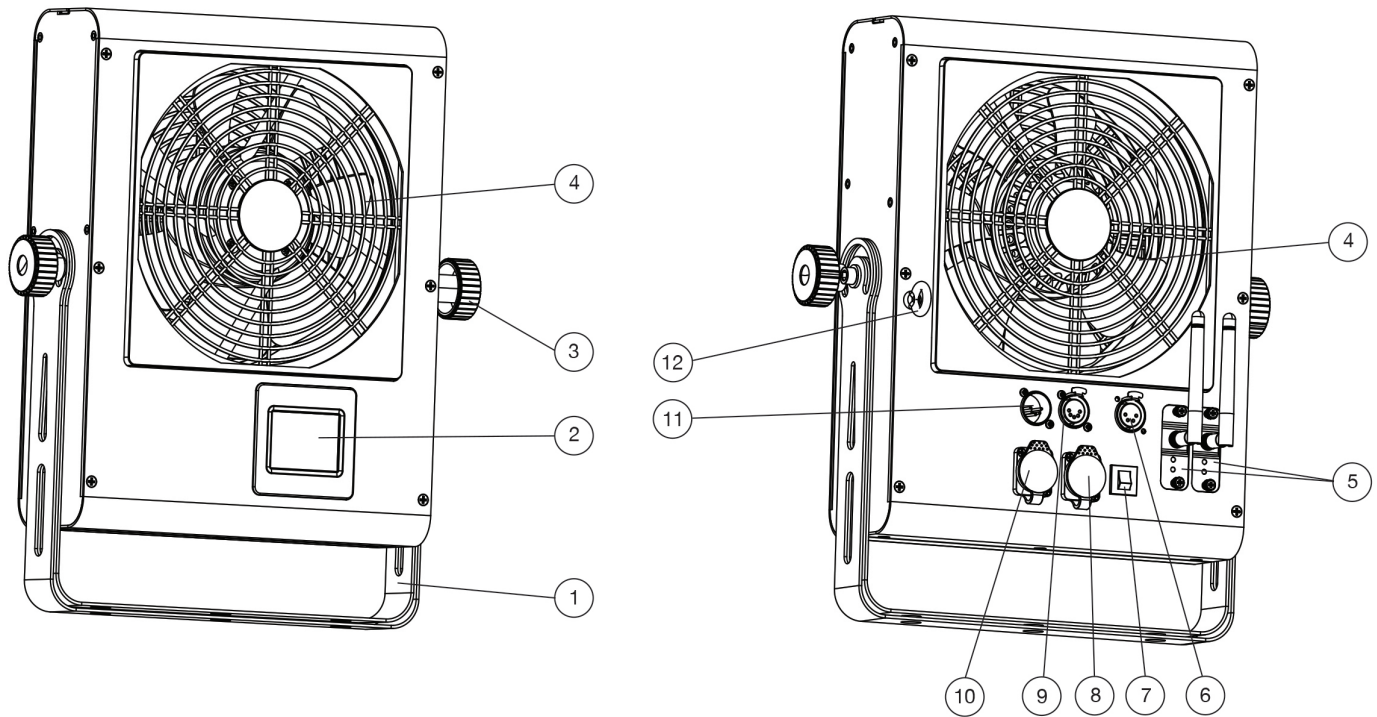
Regular inspections are recommended to ensure proper function and extended life. There are no user serviceable parts inside this device, please refer all other service issues to an authorized MAGMATIC service technician. Should you need any spare parts, please order genuine parts from your local MAGMATIC dealer.

Please refer to the following points during routine inspections:

- A detailed electrical check by an approved electrical engineer every three months, to make sure the circuit contacts are in good condition in order to prevent overheating.
- Be sure all screws and fasteners are securely tightened at all times. Loose screws may fall out during normal operation, resulting in damage or injury as larger parts could fall.
- Check for any deformations on the housing, rigging hardware, and rigging points (ceiling, suspension, trussing). Deformations in the housing could allow for dust or liquids to enter into the fixture. Damaged rigging points or unsecured rigging could cause the fixture to fall and seriously injure a person(s).
- Electric power supply cables must not show any damage, material fatigue, or sediments.

**NEVER** remove the ground prong from the power cable.

# OVERVIEW



1. Mounting Yoke
2. Touch Screen Display
3. Mounting Yoke Adjustment Knob (x2)
4. Fan Grille (x2)
5. Optional Module Installation Point\* (x2)
6. Wired Remote Port
7. Breaker
8. Power In
9. DMX Out
10. Power Out
11. DMX In
12. Safety Cable Loop

**\*device shown with optional equipment installed; actual equipment of your device may vary, and module installation points may be blanked out if not in use.**

# INSTALLATION INSTRUCTIONS



## **FLAMMABLE MATERIAL WARNING**

Keep fixture a minimum of 5 feet (1.5 meters) away from flammable materials and/or pyrotechnics.



## **ELECTRICAL CONNECTIONS**

A qualified electrician should be used for all electrical connections and/or installations.



## **DO NOT INSTALL THE FIXTURE IF YOU ARE NOT QUALIFIED TO DO SO!**

Device **MUST** be installed following all local, national, and country commercial electrical and construction codes and regulations.

Before rigging/mounting a single device or multiple interconnected devices for custom matrix designs to any metal truss/structure or placing the device(s) on any surface, a professional equipment installer **MUST** be consulted to determine if the metal truss/structure or surface is properly certified to safely hold the combined weight of the device(s), clamps, cables, and accessories.

Maximum ambient operating temperature is **104°F (40°C)**.

Do not operate this device when ambient temperature exceeds this limit.

Device(s) should be installed outside walking paths, seating areas, and areas where unauthorized personnel might reach the device by hand.

**NEVER** stand directly below the device(s) when rigging, removing, or servicing.

Allow approximately 15 minutes for the device to cool down before servicing.

**Overhead installation must always be secured with a secondary safety attachment, such as an appropriately rated safety cable (not included) that meets all local, national, and country codes and regulations.**

# INSTALLATION INSTRUCTIONS

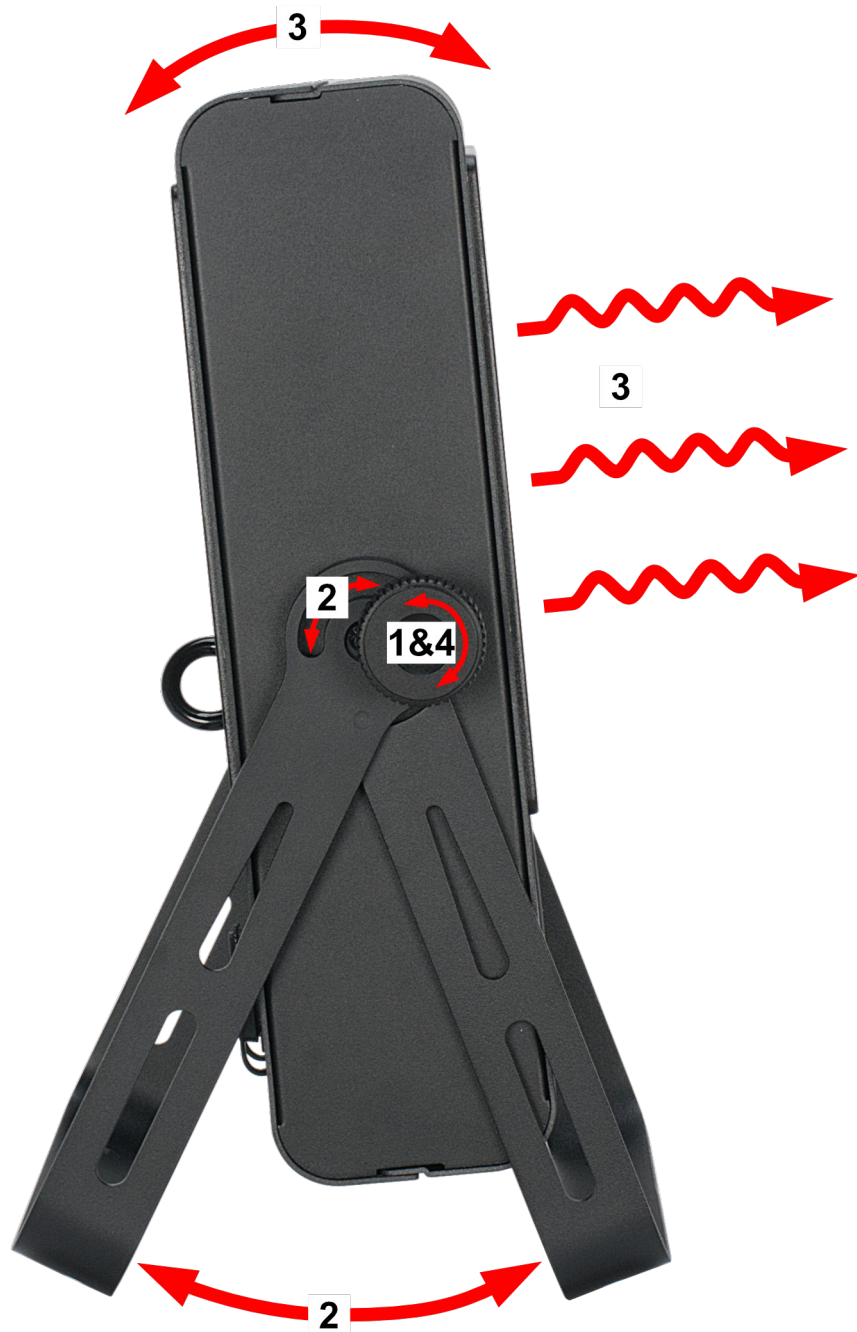
## SETUP

1. Loosen knurled thumbscrews.
2. Open the yoke-stand brackets in opposite directions. Adjust them so that they are wide enough to stabilize the fan during operation.

**Note:** During operation, the fan produces a slight force that pushes against the fixture. If the brackets are not opened far enough, the fixture could topple, causing possible damage to the fixture, or possible injury.

3. Aim the Magmafan1 fixture within the brackets to the desired direction.
4. Manually tighten both thumbscrews sufficiently (finger-tight) to secure the yoke-stand brackets.

**Do not** over tighten thumb-screws. Do not use a wrench or other similar tool to tighten. Doing so could damage the threading of either the holes in the fixture, or the thumb screws, or possibly shear the thumb screw bolt-shaft.



## REMOTE DEVICE MANAGEMENT (RDM)

**NOTE: In order for RDM to work properly, RDM enabled equipment must be used throughout the entire system, including DMX data splitters and wireless systems.**

Remote Device Management (RDM) is a protocol that sits on top of the DMX512 data standard for lighting, allowing the DMX systems of the fixtures to be modified and monitored remotely. This protocol is ideal for instances in which a unit is installed in a location that is not easily accessible.

With RDM, the DMX512 system becomes bi-directional, allowing a compatible RDM enabled controller to send out a signal to devices on the wire, as well as allowing the fixture to respond (known as a GET command). The controller can then use its SET command to modify settings that would typically have to be changed or viewed directly via the unit's display screen, including the DMX Address, DMX Channel Mode, and Temperature Sensors.

### FIXTURE RDM INFORMATION:

RDM Code	Device Model ID	Personality ID
22A6H	3C10	1-ch (1) 2-ch (2) 3-ch (3)

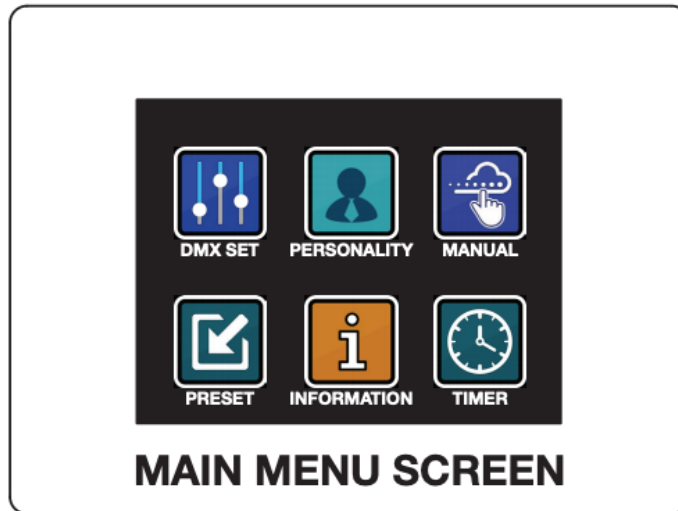
**Please be aware that not all RDM devices support all RDM features**, and therefore it is important to check beforehand to ensure that the equipment that you are considering includes all of the features that you require.

The following parameters are accessible in RDM on this device:

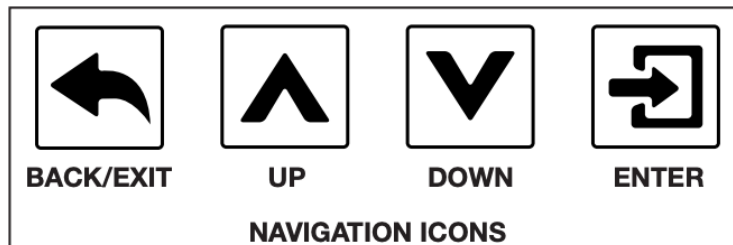
[0x1000] Identify Device
[0x00F0] DMX Start Address
[0x00C0] Software Version Label
[0x0060] Device Info
[0x0080] Device Model Description
[0x0081] Manufacturer Label
[0x0082] Device Label
[0x0050] Supported Parameters
[0x00E1] DMX Personality Description
[0x00E0] DMX Personality
[0x0200] Sensor Definition
[0x0201] Sensor Value

# CONTROL PANEL

This device includes a system menu with an easy to navigate touch screen control panel where all necessary settings and adjustments can be made. When first powering on the device, the main menu will be displayed.






To proceed, press the main menu icon that you would like to access. Use the **ENTER** button to access sub menus and use the **UP** and **DOWN** buttons to make adjustments. Press the **ENTER** button to confirm your adjustments. You may exit the main menu at any time without making any adjustments by pressing the **BACK/EXIT** button.






When using the Timer function, a different set of Timer Icons will be displayed. Press the **SETTINGS** button to adjust the timer function settings. Press the **PLAY/START** button at any time to begin operating the device according to the timer settings that have been inputted. You may exit to the main menu at any time by pressing the **BACK/EXIT** button.



# SYSTEM MENU

	<b>DMX SET</b>	DMX Addr	1 ~ 512			
		DMX Mode	1-ch			
			2-ch			
		4-ch				
	<b>PERSONALITY</b>	Wifi Set	Wifi Name	0~xxxxx		If no module card is installed, "Optional Module Not Installed" will be displayed on the screen
			Wifi Passcode	00000000 - 00009999		
			Wifi IP			
			Wifi Port	0~65535		
			Reset Network	Complete		
				Failed, try again		
		Wifi?DMX & Magfly	On / Off			
		LCD Set	Screen OFF	Never / 10s / 40s / 1min / 2min / 5min / 10min / 20min		
			Display Flip	0 deg / 180 deg		
		MagFly Set	MagFly Channel	0~14		
			MagFly	On / Off		
		MagRF Learn	Connected		Frequency matching capability. Connection failed message displays if connection is unsuccessful after 20s	
			Connection Failed, check module and retry			
Last State	Yes / No		Device adheres to last settings used prior to shutting off			
Default			Restores device to factory settings			
	<b>MANUAL</b>	20% - 100%				
CONTINUED ON NEXT PAGE						

# SYSTEM MENU

	<b>TIMER</b>	Interval	0~2500s	Start or pause device operation according to these values by pressing the Play/Start icon.
		Duration	0~250s	
		Fan Speed	20%~100%	
	<b>PRESET</b>	Presets 1-5		See Preset Modes section
		Presets 1-5		
		Presets 1-5		
		Presets 1-5		
		Presets 1-5		
		State	Normal / Error	
		Slot 1	Null / MagFly / Wifi / MagRF	
		Slot 2	Null / MagFly / Wifi / MagRF	
		Last Control	LCD_auto / LCD_manual / DMX / Wifi / MagRF / MagRemote / Error	Displays current source of device control
		MagRemote State	Yes / No	Displays whether remote control is connected
		Wifi Connect	Null / Phone / Route / No	Wifi connection source
		Wifi IP	No / 0~255, 0~255, 0~255, 0~255	
		MagFly Ch	0-14	
		DMX Addr	1-512	
		DMX Mode	1-ch / 2-ch / 4-ch	
		Timer Fan Sp	20% - 100%	
		Timer Int	0-2500s	
		Timer Dur	0-250s	
		LCD Ver	V1.2	
		Sftwr Ver	V1.0	



# PRESET MODE

Selecting the device's Preset Mode provides the user with a choice of five (5) pre-programmed operational modes, which are controlled by an easy-to-use Preset Control Screen (see below). The details of each preset mode, numbered **1** through **5**, can be viewed by pressing on the numerical buttons located near the top of the screen. The duration, interval, and fan speed for the selected preset mode will be displayed on the screen below the numerical buttons.

Press the **PLAY** button in the bottom right corner of the screen to operate the device according to the currently displayed preset mode. Press the **BACK/EXIT** button in the bottom left corner of the screen to return to the main menu screen.

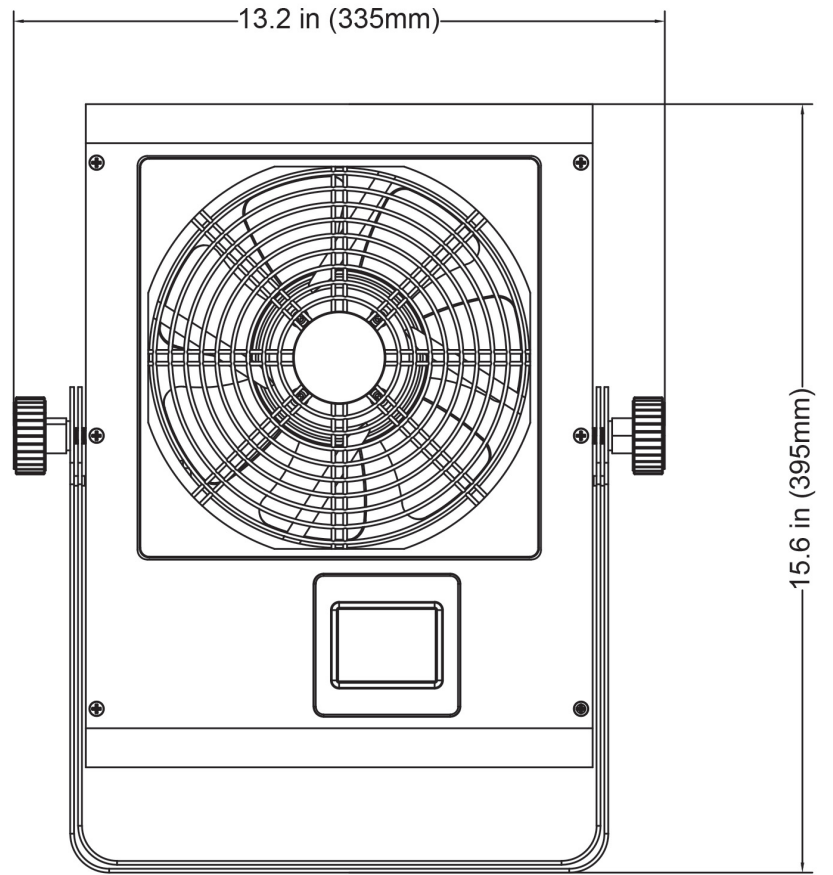
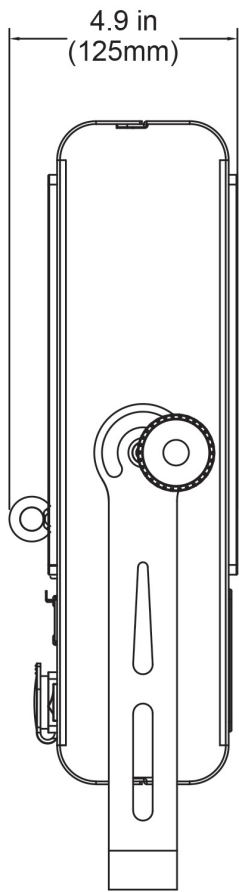


PRESET MODE	DURATION	INTERVAL	FAN SPEED
1	40 min	20 min	100%
2	25 min	10 min	100%
3	10 min	5 min	100%
4	40 min	20 min	50%

# DMX CHANNEL FUNCTIONS & VALUES

CHANNEL			VALUES	FUNCTION
1-CH	2-CH	4-CH		
	1	1		On/Off
			000 - 005	Off
			006 - 255	On
1				Fan Speed
			000 - 005	Off
			006 - 255	20% - 100%
	2	2		Fan Speed
			000 - 005	20%
			006 - 255	21% - 100%
		3		Duration
			000 - 005	0s
			006 - 255	1s - 250s
		4		Interval
			000 - 005	0s
			006 - 255	10s - 2500s

# DIMENSIONAL DRAWINGS



Drawings not to scale.

# SPECIFICATIONS

## PERFORMANCE

Rated Power: 120W

Max. fan volume: (17m<sup>3</sup>/min 600CFM (US) - 15m<sup>3</sup>/min 530CFM (EU)

Fan angle: 0-360°

Fan speed range: 750-2800rpm (US) - 750-2550rpm (EU)

## CONSTRUCTION

Durable aluminum housing

Compact lightweight mobile design

## CONTROL

3 DMX Channel Modes (1 / 2 / 4)

Onboard LCD Touch Control Panel

DMX-512 and RDM Protocol Support

Optional MAGFLY Wireless DMX Transceiver

Optional MAGRF Wireless and Wired Remotes

## CONNECTIONS

Locking 5pin XLR Connector In/Out

IP65 Locking Power Connector In

With Wired Digital Communication Network

## SIZE / WEIGHT

Length: 13.2 in. (335mm)

Width: 4.9 in. (125mm)

Height: 15.6 in. (395mm)

Weight: 15 lbs. (6.8kg)

## ELECTRICAL

US Version: 120VAC 60Hz, Europe Version: 230VAC/240VAC 50Hz

3A (NFB US Version)

2A (NFB EU Version)

Max Power Consumption: 120W

## THERMAL

Maximum Ambient Temperature (Ta max) 104°F (40°C)

Exterior Surface Temperature, Steady State: 122°F (50°C)

## OPTIONAL ACCESSORIES

MagFly

MagRF

## APPROVALS / RATINGS

CE | cETLus | IPX4

Specifications and documentation subject to change without notice.

# FCC STATEMENT

This device complies with Part 15 of the FCC Rules. Operation is subject to the following two conditions: (1) this device may not cause harmful interference, and (2) this device must accept any interference received, including interference that may cause undesired operation.

## FCC RADIO FREQUENCY INTERFERENCE WARNINGS & INSTRUCTIONS

This product has been tested and found to comply with the limits as per Part 15 of the FCC Rules. These limits are designed to provide reasonable protection against harmful interference in a residential installation. This device uses and can radiate radio frequency energy and, if not installed and used in accordance with the included instructions, may cause harmful interference to radio communications. However, there is no guarantee that interference will not occur in a particular installation. If this device does cause harmful interference to radio or television reception, which can be determined by turning the device off and on, the user is encouraged to try to correct the interference by one or more of the following methods:

- Reorient or relocate the device.
- Increase the separation between the device and the receiver.
- Connect the device to an electrical outlet on a circuit different from which the radio receiver is connected.
- Consult the dealer or an experienced radio/TV technician for help.



