

FORCE *i*

Force *i*
15-Inch Two-Way Full-Range
Speaker System



Key Features:

- RoadWood™ Trapezoidal Enclosure
- Compact size—only 25.2 in tall
- Light weight—only 46 lbs (20.9 kg)
- RMD™ - Ring-Mode Decoupling
- 1-inch pure titanium compression driver
- 80° x 55° true Constant-Directivity horn
- High Power Crossover Network
- PTP™ Power Tracking Protection
- Built-in metal stand mount
- Manufactured in the United States



General Description:

As the entry-level EV speaker series, Force *i* Series is anything but amateur. Built for the professional on a budget, Force *i* Series boasts great sound, portability and outstanding value. Each Force *i* system is easy to transport and simple to setup making it perfect for performers, DJs on the go, school functions, bands, or anywhere great sound and portability are required. Featuring integrated metal stand mounts, durable heavy duty carpet enclosure covering, and ergonomic handles, Force *i* Series is ready to handle the abuse of the road. Tops and subs are designed to work together as a system, efficiently using a single amplifier channel to drive both. EV components with concert sound lineage provide outstanding intelligibility and sound quality that will make everyone think you paid twice the price!

Boasting 500 watts of program power handling, the Force *i* 15-inch two-way utilizes the rugged DH3 1-inch titanium diaphragm compression driver for sparkling highs, and an efficient 15-inch woofer with patented EV Ring Mode Decoupling (RMD™) technology. Vocals and mid-range frequencies are reproduced with legendary EV intelligibility. Barrier Port™ design minimizes out-of-phase internal reflections resulting in astounding bass from such a compact trapezoidal enclosure.

For maximum performance add a Force *i* Sub and power both units with one channel of an Electro-Voice CP2200 power amplifier, or Dynacord Powermate powered mixer.

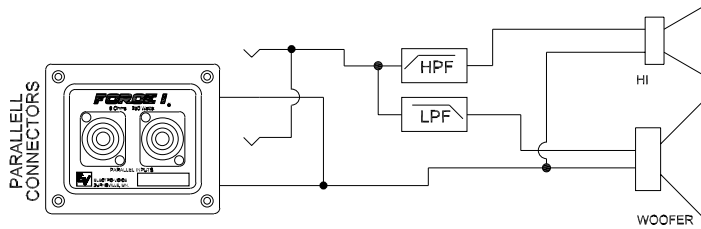
Technical Specifications:

Freq. Response (-3 dB) ² :	60Hz - 20kHz
Freq. Range (-10 dB) ² :	40Hz - 20kHz
Continuous Pwr Handling ¹ :	250W
Program Pwr Handling ¹ :	500W
Short Term Pwr Handling ¹ :	1,000W
Dispersion	80° x 55°
Sensitivity (1W / 1m):	100 dB
Impedance (Nominal):	8 ohms
Max. Calc. SPL Output:	130 dB @ 1m
Enclosure:	Trapezoidal RoadWood™ Covered in Heavy Duty Black Carpet (10° Side Angles)
Connectors:	Speakon NL4
Grille:	Powder Coated Steel
Dim (H x W x D) in:	25.5" x 18.2" x 15.2"
Dim (H x W x D) mm:	648 mm x 466 mm x 386 mm
Net Weight:	46 lbs (20.9 kg)
Shipping Weight:	51 lbs (23.2 kg)

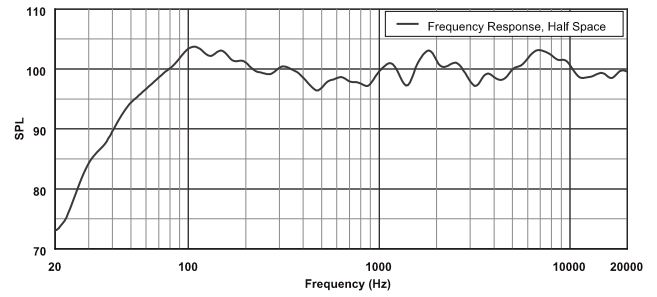
¹ EIA-RS426A

² Frequency Response 1/2 Space

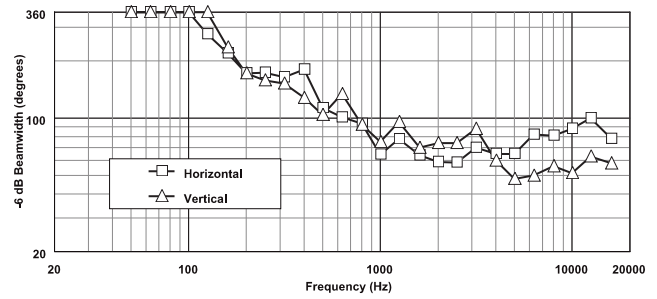
Block Diagram:



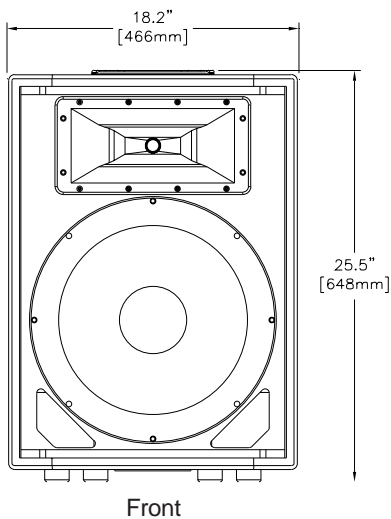
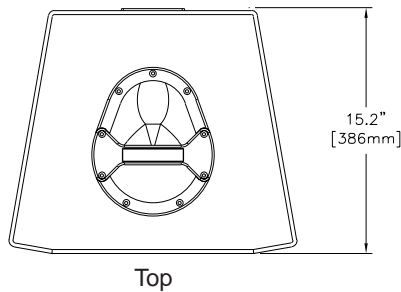
Frequency Response:



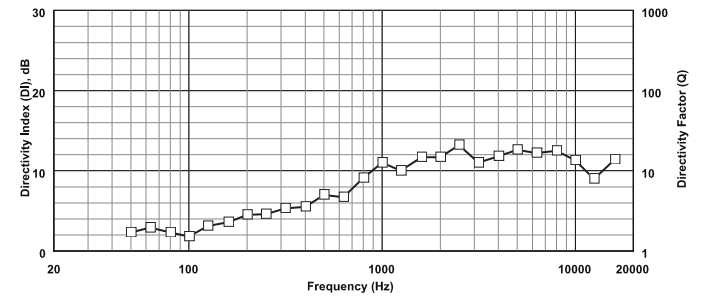
Beamwidth:



Dimension Drawings:



Directivity:



Performance Match:

- Force i Sub -- Compact 18" Woofer System with Built-In Stand Mount and Wheels
- Force i Monitor -- 12" Two-Way Floor Monitor
- CP2200 Power Amplifier
- Dynacord Powermate Powered Mixer

Electro-Voice®

12000 Portland Avenue South, Burnsville, MN 55337

Phone: 952/884-4051, Fax: 952/884-0043

www.electrovoice.com

© Telex Communications, Inc. 8/2006

Part Number 38110-080 Rev C

U.S.A. and Canada only. For customer orders, contact Customer Service at:

800/392-3497 Fax: 800/955-6831

Europe, Africa, and Middle East only. For customer orders, contact Customer Service at:

+ 49 9421-706 0 Fax: + 49 9421-706 265

Other International locations. For customer orders, contact Customer Service at:

+ 1 952 884-4051 Fax: + 1 952 887-9212

For warranty repair or service information, contact the Service Repair department at:

800/685-2606

For technical assistance, contact Technical Support at: **866/78AUDIO**

Specifications subject to change without notice.