



Quam

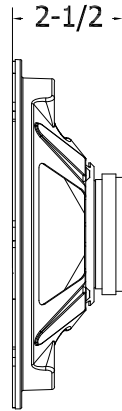
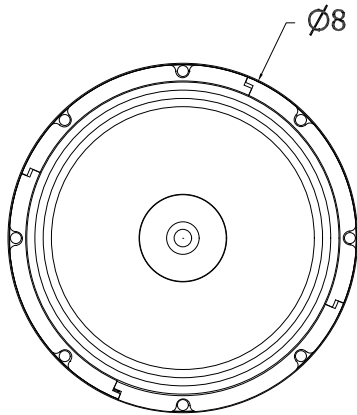
8C5PAX

8" Dual Cone Loudspeaker

02

LOUDSPEAKERS, INDIVIDUAL

0203 - PUBLIC ADDRESS LOUDSPEAKER, INDIVIDUAL



GENERAL DESCRIPTION

The Quam 8C5PAX is an 8" frame, 8 Ohm loudspeaker with concentric mount hard fiber HF cone. Finish: Black baked epoxy hybrid.

INTENDED USE

Wide frequency response replacement loudspeaker or combined with recommended Quam components to form a complete loudspeaker system; indoor environment.

Program Material: Signal tones, voice and music

SYSTEM COMPONENTS

N/A

RECOMMENDED ADDITIONAL QUAM COMPONENTS

Refer to Section 0104.6 - Customer Specified Assembly or individual components listed below:

- 0502- Transformers
- 0301- Baffles, Round -or-
- 0302- Baffles, Square
- 0401.1- Flush Mounted Back Boxes, Round -or-
- 0401.2 Flush Mounted Back Boxes, Square
- 0402- Loudspeaker Mounting Devices

AUDIO SPECIFICATIONS

Speaker Size	8" frame
Average Sensitivity	96 dB SPL, 1W/ 1M
Power Rating	12W RMS, EIA 426A Standard
Calculated Output	107dB SPL, 10W/ 1M
Magnet Type, Weight	BeFe Ceramic, 4.8oz. Nominal
Frequency Response Nominal	65Hz - 17 kHz EIA 462A Standard
Coverage Angle	100° Included Angle,
Mounting	-6 dB / 2 kHz, Half space
Mounting	8x 1/4" Holes spaced 45° apart
Mounting	On 7-5/8" circle
Audio Connection	0.205" Spade lug

Recommended construction sequences, installation instructions and A&E Specifications are available in various formats on the Quam Architects' and Engineers' Resources CD or on the web at: www.quamspeakers.com

Quam-Nichols Company

234 East Marquette Road, Chicago, IL 60637
Phone: (800) NEED NOW Fax: (888) NEED NOW
(800) 633 - 3669 (888) 633 - 3669
E-Mail: neednow@qnc.com www.quamspeakers.com

