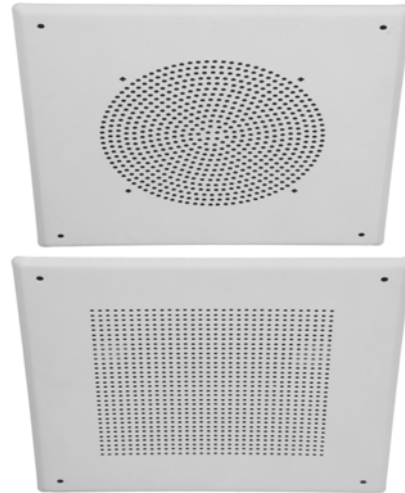
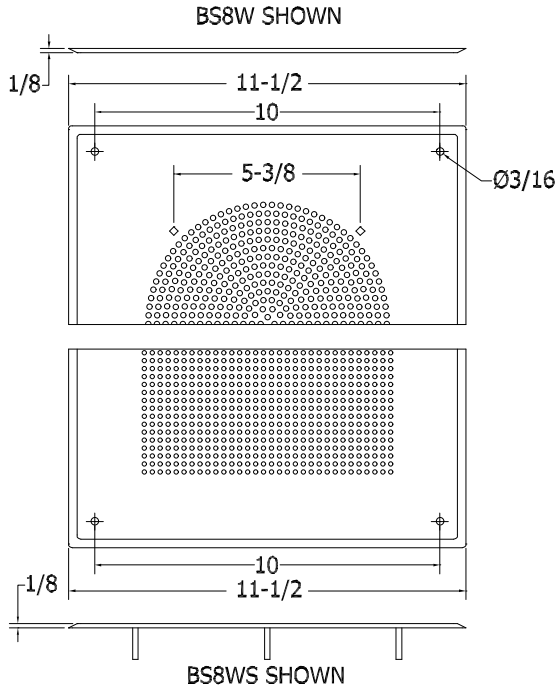




# Quam

## **BS8WS** 0302.1 Stud Mount **BS8W** 0302.2 Screw Mount

### 0302 - BAFFLE, SQUARE



**03** BAFFLES

#### **GENERAL DESCRIPTION**

The Quam BS8WS is a 22 gage steel, square speaker baffle with 4x 8-32 x 1" studs welded to the back surface. Finish: White baked epoxy hybrid.

The Quam BS8W is a 22 gauge steel, square speaker baffle with 4 supplied "white-head" 8-32 x 1" Phillips truss head mounting screws through the baffle. Finish: White baked epoxy hybrid.

#### **INTENDED USE**

Indoor environment. For use with 8" frame loudspeakers and related components.

#### **SYSTEM COMPONENTS**

N/A

#### **RECOMMENDED ADDITIONAL QUAM COMPONENTS**

- 0104.4 - Speaker, Transformer
- 0201 - Coaxial Loudspeakers, Individual
- 0202 - Dual Voice Coil Loudspeakers, Individual
- 0203 - Public Address Loudspeakers, Individual (Except 4C3PAB, 4C10PAB, 12C10PAXB)
- 0401 - Flush Mounted Back Boxes
- 0402 - Loudspeaker Mounting Devices (Except SSB-4, SSB-6, SSB-9)

Recommended construction sequences, installation instructions and A&E Specifications are available in various formats on the Quam Architects' and Engineers' Resources CD or on the web at: [www.quamspeakers.com](http://www.quamspeakers.com)

#### **Quam-Nichols Company**

234 East Marquette Road, Chicago, IL 60637  
Phone: (800) NEED NOW Fax: (888) NEED NOW  
(800) 633 - 3669 (888) 633 - 3669  
E-Mail: [neednow@qnc.com](mailto:neednow@qnc.com) [www.quamspeakers.com](http://www.quamspeakers.com)

