



# Quam

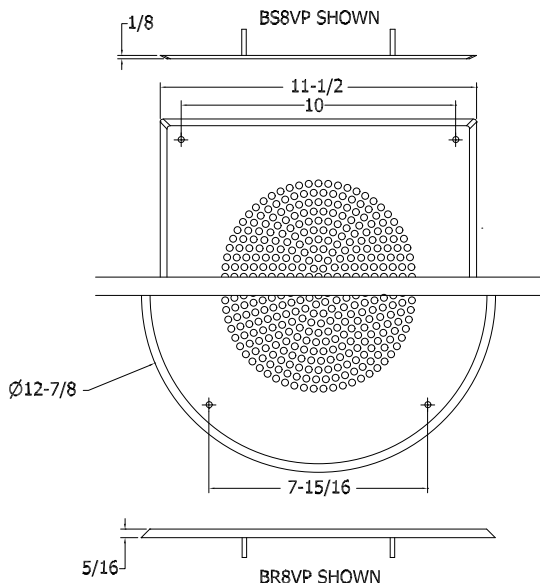
## BR8VP

Vandal Resistant, Round Loudspeaker Baffle

## BS8VP

Vandal Resistant, Square Loudspeaker Baffle

### 0603 - VANDAL RESISTANT COMPONENTS



#### GENERAL DESCRIPTION

The Quam BR8VP is a 16 gage steel, round vandal-resistant loudspeaker baffle.

The Quam BS8VP is a 16 gage steel, square vandal-resistant loudspeaker baffle.

Both versions are supplied with a steel interwoven security screen to be mounted between the baffle and loudspeaker, 4 welded 8-32 x 1" studs on the back surface for speaker mounting and 4 8-32 x 1" 'pin-in-hex' mounting screws and tool.

Finish: White baked epoxy hybrid.

#### INTENDED USE

Indoor environment. For use with 8" frame loudspeakers and related components.

#### SYSTEM COMPONENTS

N/A

#### RECOMMENDED ADDITIONAL QUAM COMPONENTS

- 0104.4- Speaker, Transformer Assemblies
- 0201- Coaxial Loudspeakers, Individual
- 0202- Dual Voice Coil Loudspeakers, Individual
- 0203- Public Address Loudspeakers, Individual (Except 4C3PAB, 4C10PAB, 12C10PAXB)
- 0401- Flush Mounted Back Boxes
- 0402- Loudspeaker Mounting Devices (Except SSB-4, SSB-6, SSB-9)

Recommended construction sequences, installation instructions and A&E Specifications are available in various formats on the Quam Architects' and Engineers' Resources CD or on the web at: [www.quamspeakers.com](http://www.quamspeakers.com)

CORRECTION / DETENTION

06

#### Quam-Nichols Company

234 East Marquette Road, Chicago, IL 60637  
Phone: (800) NEED NOW Fax: (888) NEED NOW  
(800) 633 - 3669 (888) 633 - 3669  
E-Mail: [neednow@qnc.com](mailto:neednow@qnc.com) [www.quamspeakers.com](http://www.quamspeakers.com)

