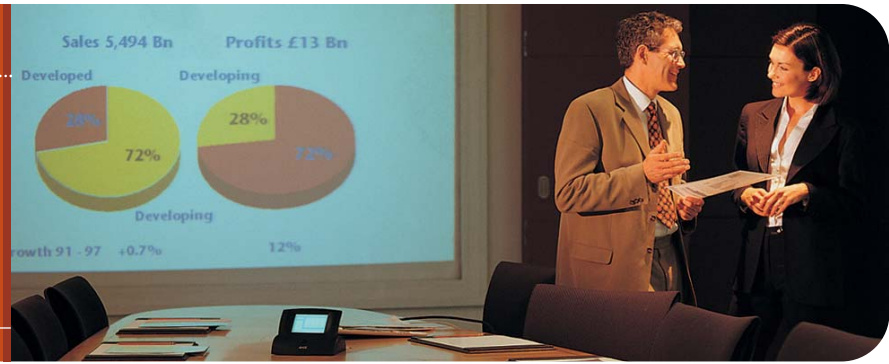


Titan™ Plasma Cart

Conferencing Furniture



Titan Plasma Carts are durable, metal carts that support single or dual plasma displays and provide complete stability and effortless mobility.

DESIGNED FOR STRENGTH AND MOBILITY

Titan Plasma Carts are designed with steel construction to provide superior support for plasma monitors, and they are reinforced for extreme balance and smooth movement, making them easy to transport from room to room. The Titan Single Plasma Cart supports up to one 63" plasma monitor, while the Titan Dual Plasma Cart supports up to two 50" plasma monitors.

Titan Plasma Carts allow custom positioning of plasma monitors to ensure optimal viewing from any seat in the meeting room. The adjustable codec shelf provides convenient placement of any set-top codec, and the PTZ camera shelf positions your PTZ camera at eye-level for more natural interactions. (PTZ camera shelf included with dual cart only.)

Titan Plasma Carts provide many extras that facilitate product installation including a removable vented back panel with a cable management duct. The 9-space rack with 22" depth and the 2" rack-rail recess behind the door ensure adequate space for equipment, and the 7½" shelf with removable vented front panel is ideal for holding a center-channel speaker or VCR/DVD player.

Highly Mobile

With precision-synthetic, double ball bearing casters and 5½" clearance, the plasma cart is extremely easy to maneuver from room to room.

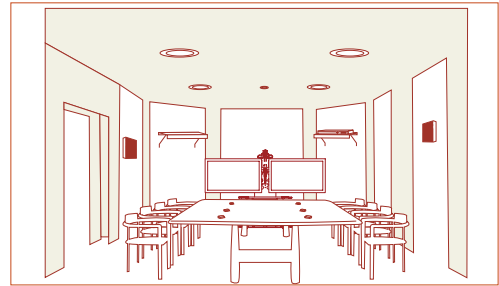
Superior Construction

The Titan Plasma Cart features steel construction for strength and durability—supporting up to 800 lb (364 kg)—to secure valuable equipment and ensure worry-free usage.

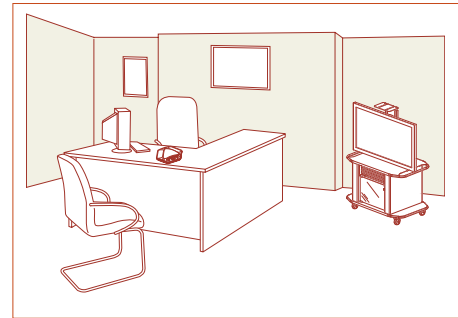
Professional Storage

The Titan Plasma Cart design provides a professional-grade rack-rail system with cable management pathways to easily accommodate all types of equipment.

PRODUCT APPLICATIONS



The Titan Dual Plasma Cart is ideal for boardrooms and distance learning centers where dual display is desirable.



The Titan Single Plasma Cart provides convenient storage for all conferencing equipment.

PLASMA MOUNT

The Titan Plasma system requires a Chief PST plasma mount (not included) to secure the plasma monitors to the supports. One plasma mount is needed for a single configuration and two plasma mounts are needed for the dual configuration. The type of mount will depend on the manufacturer and model of the plasma. Contact the Furniture Services Department at 1-763-486-1765 for more information.

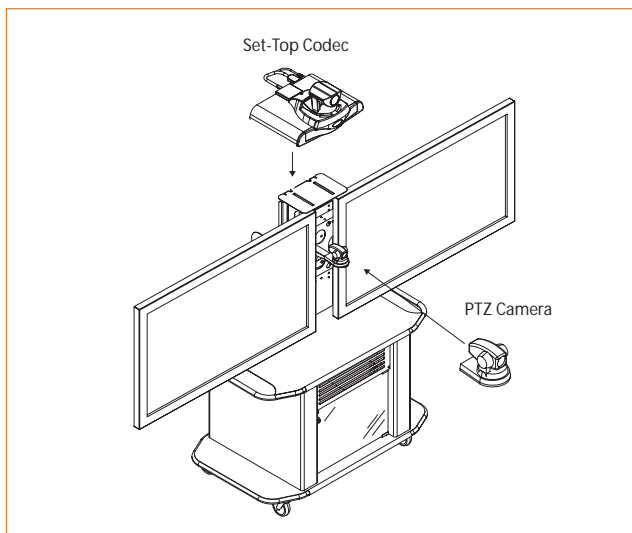
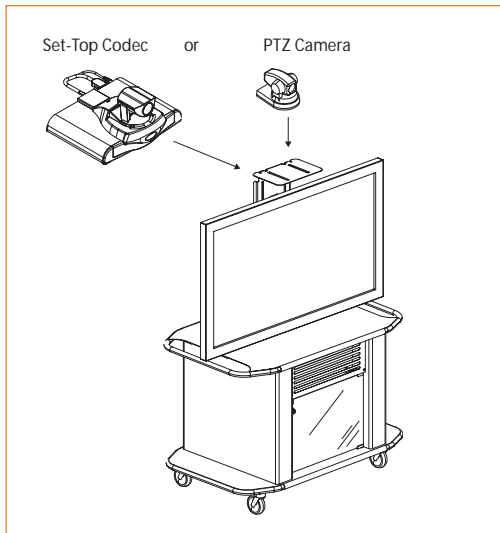
ClearOne
You're Virtually ThereSM

PRODUCT BRIEF

ADDITIONAL FEATURES

- ▶ **Set-top codec shelf** attaches to the vertical support and holds a codec or camera above the plasma screens at adjustable heights
- ▶ **PTZ camera mount** provides convenient PTZ camera placement for natural, eye-level interaction (Titan Dual Plasma Carts only)
- ▶ **9-space integrated rack-rail system and 22" rack depth** supports professional depth equipment
- ▶ **Rack rails** recessed 2" behind door to ensure adequate space for equipment
- ▶ **Dynamic air-flow construction** promotes air flow to cool rack-mounted equipment
- ▶ **7 1/2" shelf** with removable vented panel for center-channel speaker or VCR/DVD player
- ▶ **Smoked acrylic front door** with lock for security
- ▶ **Rubber grommet** in rack floor protects cables and provides cable management pass-through

PTZ AND CODEC SHELVES



The Titan Single Plasma Cart comes equipped with a set-top shelf that can be used for either a set-top codec or a PTZ camera. In addition to the set-top shelf, the Titan Dual Plasma Cart is equipped with a PTZ camera shelf set between the two plasmas at eye-level for increased interaction.

PRODUCT SPECIFICATIONS

Base Dimensions (W x H x D)

Width: 45"
Height: 31"
Depth: 28"

Assembled Dimensions Without Plasmas (W x H x D)

Single: 45" x 72" x 28"
Dual: 72" x 72" x 28"

Integrated Rack

Height: 9 space, 15.75" (40 cm)
Depth: 22"
Rack rails: included
Rail recess: 2" clearance from door

Casters

Heavy duty (250 lb rating each)
5 1/2" clearance with 4" diameter

Caster Composition

Precision synthetic, plate-mounted, double ball bearing, with swivel head and polypropylene tread

Vented Back Panel

Height: 17"
Width: 17"
Attachment: Four #8-32 screws

Weigh Capacity

800 lb (364 kg)

Construction

14-, 12- and 11-gauge steel
Columnar support, channel welded

Plasma Support

Single: Up to one 63" plasma
Dual: Up to two 50" plasmas

Part Numbers

911-300-101 Titan Single Plasma Cart
911-300-110 Titan Dual Plasma Cart

Titan Single Plasma Cart Includes:

Universal Base
Titan Plasma Top
Vertical Support
Set-top Codec/Camera Shelf

Titan Dual Plasma Cart Includes:

Universal Base
Titan Plasma Top
Vertical Support
Set-top Codec/Camera Shelf
Horizontal Support
Center Camera Mount

Required Hardware (Not Included)

Chief PST Plasma Mount

For more information contact the Furniture Services Department at 1-763-486-1765