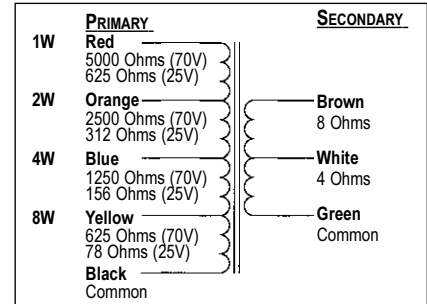
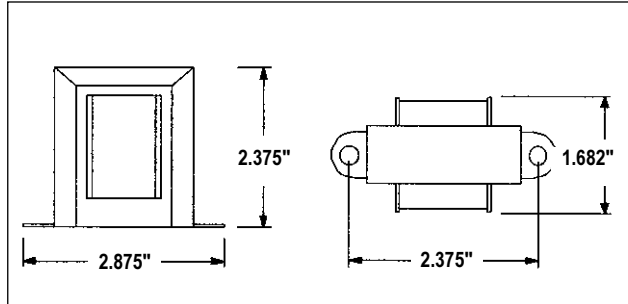


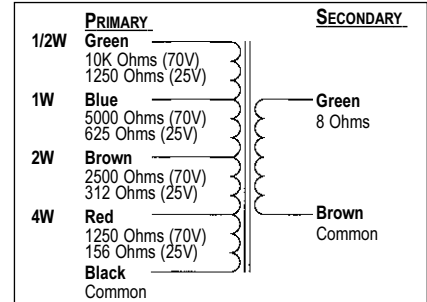
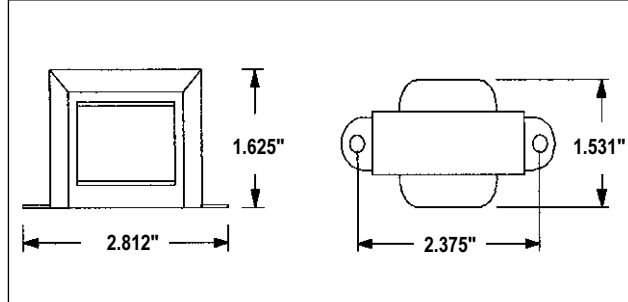
### A&E Specifications

Line matching transformer shall be Lowell Model \_\_\_\_\_. Primary voltage shall be 70V with a power rating of \_\_\_\_\_ watts. Primary taps shall be available at \_\_\_\_\_ watts. Secondary impedance taps shall be available at \_\_\_\_\_ (8-ohms, 8-ohms and 4-ohms). All taps shall have color coded and clearly marked leads. Frequency response of the transformer shall be \_\_\_\_\_ with insertion loss not to exceed \_\_\_\_\_ dB.



**TLM870  
TLM825**

Primary Voltage	Power Rating	Primary Taps	Secondary Impedance	Core Size	Insertion Loss	Frequency Response	Lead Length	Weight (lbs.)
70V	8W	8, 4, 2, 1W	8, 4 Ohms	.75" x .75"	.8dB	50Hz-15kHz $\pm$ 1dB	8"	.90
25V	8W	8, 4, 2, 1W	8, 4 Ohms	.75" x .75"	.8dB	50Hz-15kHz $\pm$ 1dB	8"	.90



**TLM470**

Primary Voltage	Power Rating	Primary Taps	Secondary Impedance	Core Size	Insertion Loss	Frequency Response	Lead Length	Weight (lbs.)
70V	4W	4, 2, 1, .5W	8 Ohms	.625" x .625"	.8dB	60Hz-15kHz $\pm$ 1dB	8"	.55



# TLM Series

## 8W and 4W High Performance Transformers

### LOWELL TRANSFORMER SPECIFICATION OVERVIEW

Xfmr Model	Primary Voltage	Power Rating	Primary Taps	Secondary Impedance	Core Size	Insertion Loss	Frequency Response	Lead Length	Weight (lbs.)	Spec Sheet*
<b>Premium Performance Transformers</b>										
TLS10070	70V	100W	100, 64, 32, 16W	8, 4 Ohms	1.375" x 1.75"	.6dB	20Hz-20kHz $\pm$ 1dB	18"	7.5	2d-401
TLS3270	70V	32W	32, 16, 8W	8, 4 Ohms	1.25" x 1.25"	.6dB	20Hz-20kHz $\pm$ 1dB	18"	4.7	2d-401
TLS1670	70V	16W	16, 8, 4W	8, 4 Ohms	1" x 1"	.6dB	20Hz-20kHz $\pm$ 1dB	18"	2.4	2d-401
<b>High Performance Transformers</b>										
TLM10070A	70V	100W	100, 64, 32, 16W	8, 4 Ohms	1.25" x 1.25"	.6dB	50Hz-15kHz $\pm$ 1dB	18"	4.45	2d-402
TLM3270A	70V	32W	32, 16, 8W	8, 4 Ohms	1" x 1.5"	.6dB	50Hz-15kHz $\pm$ 1dB	18"	3.2	2d-402
TLM1670A	70V	16W	16, 8, 4W	8, 4 Ohms	.875" x 1.25"	.6dB	50Hz-15kHz $\pm$ 1dB	18"	2.0	2d-402
TLM870	70V	8W	8, 4, 2, 1W	8, 4 Ohms	.75" x .75"	.8dB	50Hz-15kHz $\pm$ 1dB	8"	0.9	2d-403
TLM825	25V	8W	8, 4, 2, 1W	8, 4 Ohms	.75" x .75"	.8dB	50Hz-15kHz $\pm$ 1dB	8"	0.9	2d-403
TLM470	70V	4W	4, 2, 1, .5W	8 Ohms	.625" x .625"	.8dB	60Hz-15kHz $\pm$ 1dB	8"	0.55	2d-403
<b>General Purpose Transformers</b>										
TLM72	70 / 25V	4W	4, 2, 1, .5,W	8 Ohms	.5" x .5"	1dB	100Hz-10kHz $\pm$ 1dB	8"	0.4	2d-404
TLM70	70V	4W	4, 2, 1, .5, .25W	8 Ohms	.5" x .5"	1dB	100Hz-10kHz $\pm$ 1dB	8"	0.4	2d-404
TLM25	25V	4W	4, 2, 1, .5, .25W	8 Ohms	.5" x .5"	1dB	100Hz-10kHz $\pm$ 1dB	8"	0.4	2d-404

\*Refer to the corresponding specification sheet for each model to find dimensional drawings and color code diagrams.

A  
U  
D  
I  
O

12"/10"  
Speakers & Accessories

8"  
Speakers & Accessories

6"  
Speakers & Accessories

4"  
Speakers & Accessories

Horn  
Speakers & Accessories

Masking  
Speakers & Generators

Control  
Accessories & Electronics

Transformers