

Piano Benches

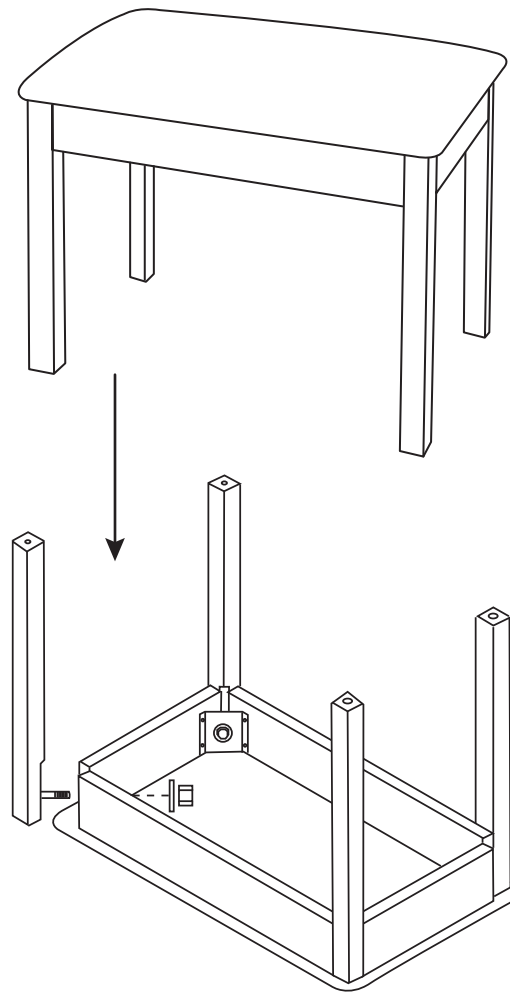
Flip Top / Non-Flip Top

KB8802 / KB8902



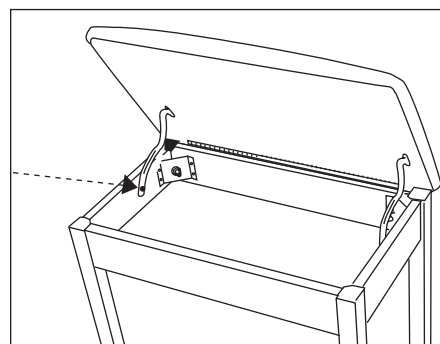
Congratulations! You have purchased a professional, durable piano/keyboard bench from On-Stage Stands. We sincerely hope you enjoy your new piano/keyboard bench. With proper care, this bench will last you for years to come.

1. Remove bench from the box.
- 2A. On the KB8802, place bench cushion-side down on flat surface. Remove legs from underneath the bench.
- 2B. On the KB8902, place the bench down on a flat surface. Lift lid and remove legs. Once legs are removed, place bench cushion-side down on flat surface.
3. Remove nut and washer from one of the legs. take leg and insert the threaded stud through the corner bracket with the leg on the outside.
4. Replace washer first, then hand-tighten the nut on the threaded stud.
5. Repeat steps 2 and 3 for remaining legs.
6. Fully tighten nuts with an adjustable wrench.



Read instructions below for the KB8902 only

The bench included with the KB8902 has a flip-top seat with a storage compartment. The lid support bracket tension was preset at the factory for shipping conditions. To prevent the lid from accidentally closing, adjust the tension on the support brackets evenly on both sides until the lid remains half open.



IMPORTANT SAFETY INFORMATION

READ THIS MANUAL CAREFULLY BEFORE ASSEMBLING AND USING THIS PRODUCT. KEEP THIS MANUAL IN A SAFE LOCATION FOR FUTURE REFERENCE.



- This product must be used on a level surface with all four legs touching the ground simultaneously at all times. Be sure the product meets these conditions or is otherwise stable when in use.



- This product is designed for a single person to sit on it in a central position. NEVER allow multiple people to sit on the bench at one time.
- DO NOT lean against the product, rest one leg on the product, stand on the product, or use the product in any other manner than its intended use.



- The KB8802 and KB8902 have been tested and approved for users weighing up to 240 lbs (108.9 kg). NEVER allow a person to exceed in the weight capacity to use this bench.



- All bolts, nuts and washers should be checked once per month. If loose, all such loose bolts, nuts and washers must be tightened.
- If any part of this product is damaged, the product may no longer meet its factory condition specifications. DO NOT attempt to repair this product unless such repair is made by the manufacturer. DO NOT use this product unless it is repaired by the manufacturer.



WARNING for KB8902 product users only: The moving parts of this seat can crush, cut and cause other bodily harm. Keep all body parts and children away from the storage compartment, hinges and support brackets while opening and closing the flip top seat.



CAUTION

FAILURE TO FOLLOW THESE WARNINGS, OR THE FOLLOWING ASSEMBLY INSTRUCTIONS, CAN RESULT IN PROPERTY DAMAGE, SERIOUS INJURY OR DEATH.