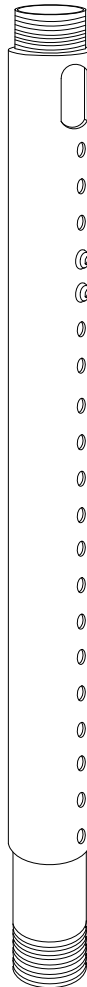


INSTALLATION MANUAL



APP-2446 ADJUSTABLE SUSPENSION ADAPTER

Premier Mounts
3130 E. Miraloma Avenue
Anaheim, CA 92806

Phone: (800) 368-9700
mounts@mounts.com

Fax: (800) 832-4888
www.mounts.com





Table of Contents

Warning Statements	- 3 -
Parts List	- 4 -
Installation Tools	- 4 -
Ceiling Installation.....	- 5 -
Warranty	- 7 -
Contact Premier Mounts	- 7 -
Notes	- 8 -



Warning Statements

WARNING: PREMIER MOUNTS DOES NOT WARRANT AGAINST DAMAGE CAUSED BY THE USE OF ANY PREMIER MOUNTS PRODUCT FOR PURPOSES OTHER THAN THOSE FOR WHICH IT WAS DESIGNED OR DAMAGE CAUSED BY UNAUTHORIZED ATTACHMENTS OR MODIFICATIONS, AND IS NOT RESPONSIBLE FOR ANY DAMAGES, CLAIMS, DEMANDS, SUITS, ACTIONS OR CAUSES OF ACTION OF WHATEVER KIND RESULTING FROM, ARISING OUT OF OR IN ANY MANNER RELATING TO ANY SUCH USE, ATTACHMENTS OR MODIFICATIONS.

WARNING: DO NOT REMOVE THE SCREWS COMPLETELY FROM THE EXTENSION WHEN MAKING A HEIGHT ADJUSTMENT WHILE THE CEILING PLATE IS SECURED TO THE CEILING OR THE WALL. LOOSEN, ADJUST, AND THEN RE-TIGHTEN THE SCREWS. FAILURE TO DO SO COULD RESULT IN PERSONAL INJURY AND/OR DAMAGE TO THE PROJECTOR.

WARNING: SAFETY MEASURES MUST BE PRACTICED AT ALL TIMES DURING THE INSTALLATION OF THIS PRODUCT. USE PROPER SAFETY GEAR AND TOOLS FOR THE INSTALLATION PROCEDURE TO PREVENT PERSONAL INJURY.

WARNING: PRIOR TO THE INSTALLATION OF THIS PRODUCT, THE INSTALLATION INSTRUCTIONS SHOULD BE READ AND COMPLETELY UNDERSTOOD. THE INSTALLATION INSTRUCTIONS MUST BE READ TO PREVENT PERSONAL INJURY AND PROPERTY DAMAGE. KEEP THESE INSTALLATION INSTRUCTIONS IN AN EASILY ACCESSIBLE LOCATION FOR FUTURE REFERENCE.



Indicates that the power plug is to be disconnected from the power outlet.



Contact Premier Mounts with any questions – (800) 368-9700.



Safety precautions must be taken at all times.



Warning and Caution statements.



A secure structure must support the weight, or load, of the projector. When mounting to a ceiling that contains wooden studs, dead center of the wooden stud must be confirmed prior to installation.



Do not install on a structure that is prone to vibration, movement or chance of impact. Failure to do so could result in damage to the projector and/or damage to the mounting surface.



Do not install near heater, fireplace, direct sunlight, air conditioning or any other source of direct heat energy. Failure to do so may result in damage to the projector and could increase the risk of fire.



At least two qualified people should perform the installation procedure. Injury and/or damage can result from dropping or mishandling the projector.

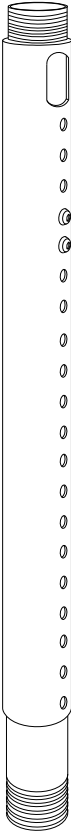



Recommended mounting surfaces: wooden studs and solid-flat concrete. If the mount is to be installed on any surface other than wooden studs, use suitable hardware (which is commercially available).



Parts List

NOTE: This mount is shipped with all proper installation hardware and components. Make sure that none of these parts are missing and/or damaged before beginning installation. If there are parts missing and/or damaged, please stop the installation and contact Premier Mounts (800-368-9700).

<p>Extension Adapter (Qty 1)</p> 	<p>M8 x 16mm Phillips Head Screws (Qty 2)</p>	
---	---	---

Installation Tools

Phillips Head Screw Driver
 Soft Material/ Blanket
 ¼" Drill Bit
 Tape Measure
 Stud Finder (Commercially Available)

Portable Drill
 Pencil
 Level (Supplied)
 Wrench with ½" Drive Socket
 Ladder



Ceiling Installation

WARNING: THE WALL OR CEILING STRUCTURE MUST BE CAPABLE OF SUPPORTING AT LEAST FIVE TIMES THE WEIGHT OF THE PROJECTOR. IF NOT, THE WALL OR CEILING WILL HAVE TO BE REINFORCED. PROPER INSTALLATION PROCEDURES BY A QUALIFIED TECHNICIAN, AS OUTLINED IN THE INSTALLATION INSTRUCTIONS, MUST BE ADHERED TO. FAILURE TO DO SO COULD RESULT IN PERSONAL INJURY AND/OR DAMAGE TO THE PROJECTOR.

1. Secure the PBC ceiling plate or any 1-½ (NTP) pipe-receiving adapter to the ceiling (see warning).
2. Use suitable hardware (commercially available) depending on your installation environment to secure the four (4) mounting points found on the ceiling plate to the ceiling structure.

WARNING: MAKE SURE TO HOLD THE PLASMA DISPLAY OR PROJECTOR SECURELY OR REMOVE IT FROM THE MOUNT TO MAKE THE HEIGHT ADJUSTMENT PRIOR TO LOOSENING THE ADJUSTMENT SCREWS. DO NOT REMOVE THE SCREWS COMPLETELY FROM THE EXTENSION ALL AT ONCE. LOOSEN, REMOVE, ADJUST THEN RE-TIGHTEN THE SCREWS. FAILURE TO DO SO COULD RESULT IN INJURY AND OR DAMAGE TO THE PLASMA DISPLAY OR PROJECTOR.

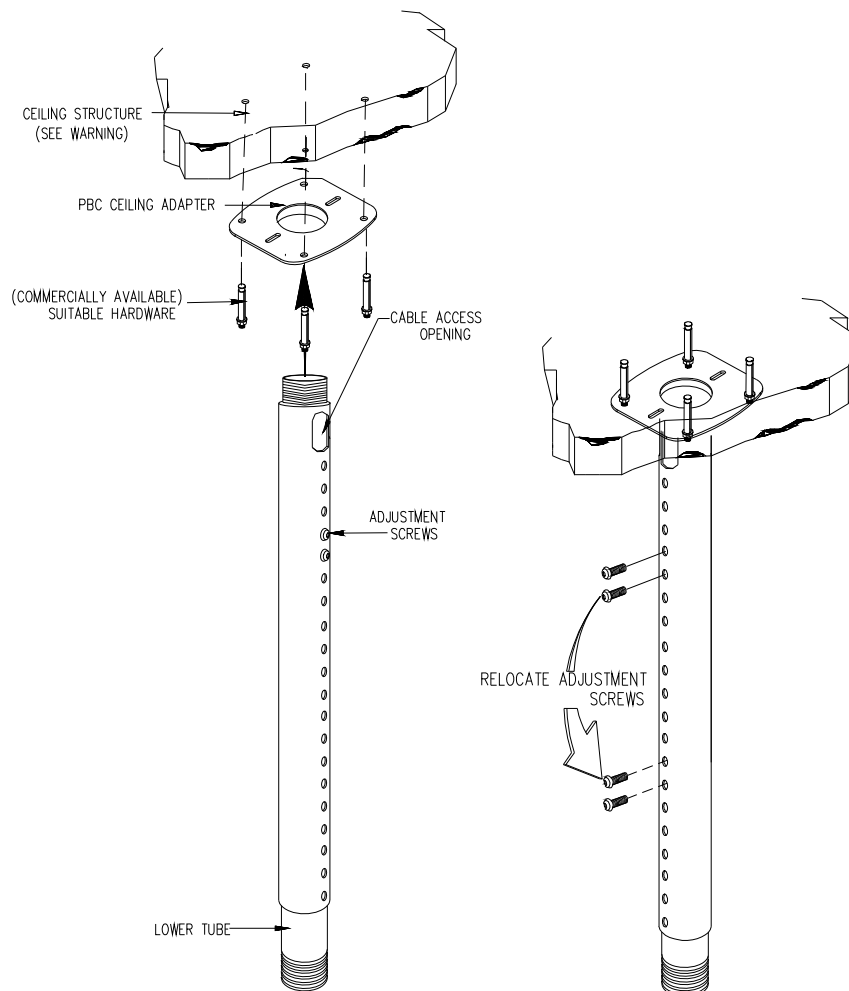


Figure 1



3. Thread the PBC or any of Premier Mounts compatible adapters to the bottom of the APP-2446 and secure it with the Allen Key (supplied).
4. Refer to the PBC installation instructions to complete the installation. (See figure 2)

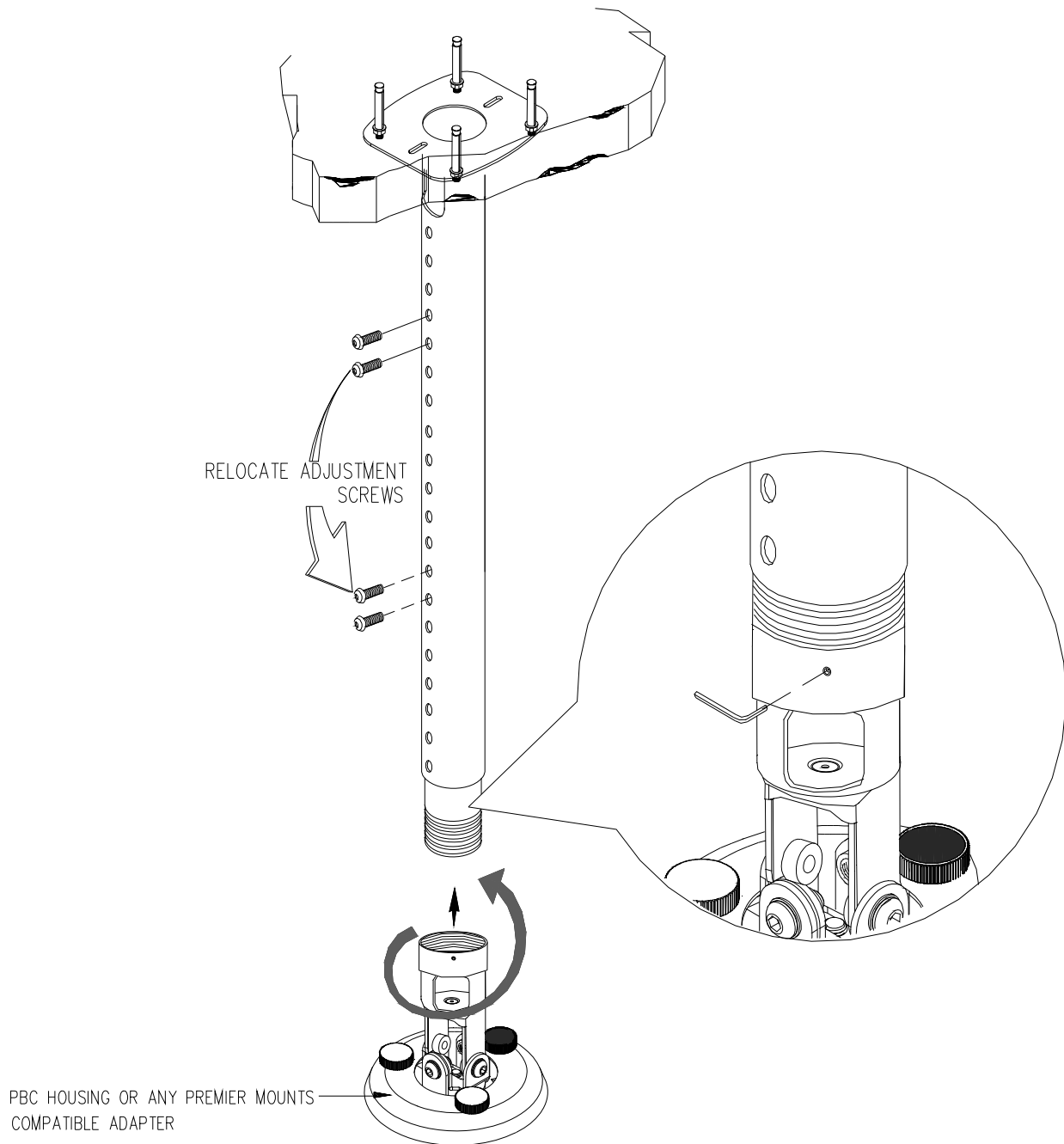


Figure 2



Warranty

Limited Lifetime Warranty

All Premier Mounts products carry a limited lifetime warranty from ship date against defects in materials and workmanship. Premier Mounts is not liable for improper installation that results in damage to mounts, adapters, display equipment or personal injury.

DISCLAIMER OF WARRANTY

THE FOREGOING WARRANTY IS IN LIEU OF ALL OTHER WARRANTIES, EXPRESS OR IMPLIED, INCLUDING BUT NOT LIMITED TO THE IMPLIED WARRANTIES OF MERCHANTABILITY AND FITNESS FOR A PARTICULAR PURPOSE.

Contact Premier Mounts

In the event of missing and/or damage equipment, or technical questions, the following information can help in the completion of the installation.

Customer Service – (800) 368-9700

Technical Support – techsupport@mounts.com



Notes

NORTH AMERICA

3130 East Miraloma Avenue
Anaheim, CA 92806 USA
USA and Canada –
Phone: 800-368-9700
Fax: 800-832-4888

EUROPE

Swallow House,
Shilton Industrial Estate,
Shilton, Coventry, England CV79JY
Phone: +44 (0) 2476 614700
Fax: +44 (0) 2476 614710

AUSTRALIA, NEW ZEALAND, OCEANIA (DISTRIBUTOR)

P.O. Box 295
Mordialloc Victoria 3195
Australia
Phone: 03 9586 6330
www.premiermounts.com.au

Other Locations – Phone: 001.714.632.7100; Fax: 001.714.632.1044

©Premier Mounts 2007