

APB-112 OW-D

- Active, On wall, AudioPressBox unit, 1 channel DANTE input, 12 LINE/Mic outputs



FEATURES

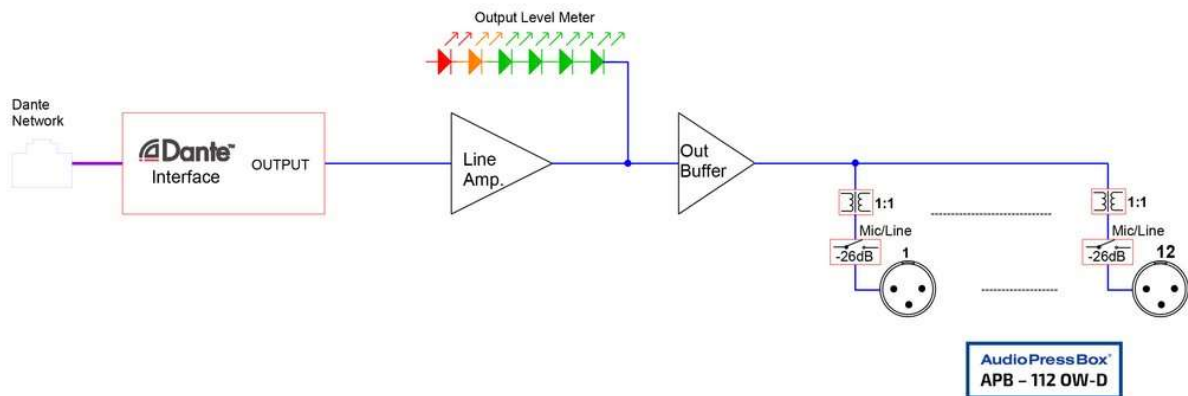
- 1 channel DANTE input - RJ45 ethercon
- 12 high quality balanced, individually transformer isolated outputs.
- each output is switchable between Line or MIC level.
- the unit is powered only via PoE from DANTE network
- thanks to DANTE patching you can easily expand number of channels or number of outputs by adding other APB-112 OW-D

ADVANTAGES

- **Professional**
APB is a sophisticated tool for professional audio distribution at press conferences, presentations and other events.
- **Dante**
1-channel Dante input, the unit is active and powered by a PoE

BLOCK DIAGRAM

AudioPressBox[®]



TECHNICAL SPECIFICATION

Type	1 In 12 Out
Inputs	1
Input connectors	RJ45 - Dante
Outputs	12 Line/MIC level
Output connectors	Balanced, XLR
Nominal Output level	+6dBu (front outputs)
Maximum Output Level	+20dBu (no load) +14dBu (600Ohm)
Output impedance	Mic: 220Ohm
Individually transformer isolated output	Yes (each output)
SNR	>70 dB
Frequency Response	20Hz to 20kHz/-dB
Indicators	Output level, Power
Power Supply	PoE, Class 3
Dimensions (WxHxD)	280x55x137mm
Weight	2,5 kg