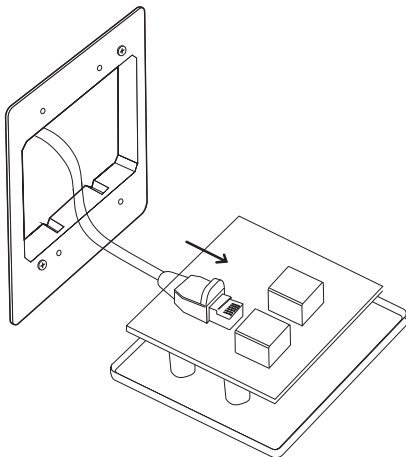
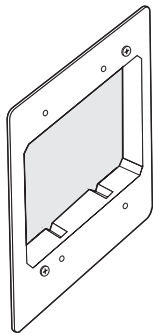


### Step 1:

Install U.S. two gang wall box into the wall



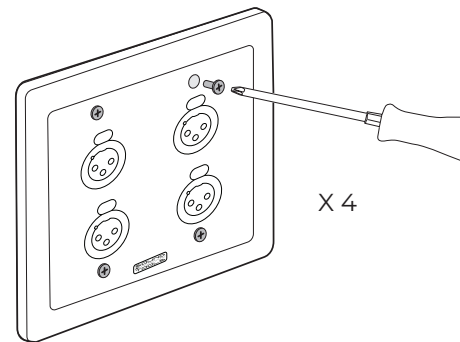
### Step 2:

Connect your Shielded RJ45 cable to the IN/OUT connection

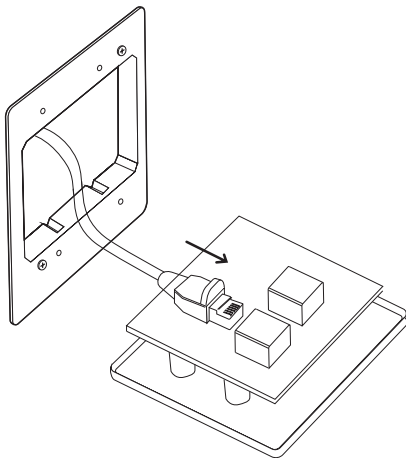
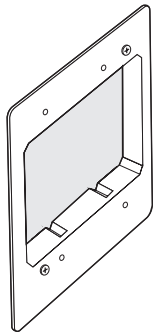
\* For daisy chaining use a second RJ45 cable and plug into the parallel connection

### Step 3:

Screw WallCAT 4 into gang box



**Step 1:**  
Install U.S. two gang  
wall box into the wall



**Step 2:**  
Connect your Shielded RJ45  
cable to the IN/OUT connection  
\* For daisy chaining use a second RJ45  
cable and plug into the parallel connection

**Step 3:**  
Screw WallCAT 4 into gang box

