

Clear line-of-sight ranges up to four miles

NTSC/PAL with 460 lines horiz. resolution

Stereo audio transmission

Dual Virtual Wire™ contact closures with discrete outputs

Data pass-through mode

Dual standby mode

6-12vDC operation

Rugged all-weather construction, NEMA 4X rated

FCC and DOC Approved

The EAGLE PLUS™ **2.4 GHz FM All-Weather** **Wireless Video System**

Broadcast Quality at Consumer Prices

The EAGLE PLUS integrates the latest technology along with user-friendly options to offer a wireless solution that was designed with the system integrator in mind. Capable of line of sight ranges up to four miles,* the EAGLE PLUS offers features that make it much more than a wireless video system. The system is capable of transmitting stereo audio or mono audio with Virtual Wire™ contact closures. The EAGLE PLUS also has a data pass-through mode capable of transmitting RS232 at data rates from 1200 to 9600 baud with provisions for transmitting RS422/485.**

* using 24dB parabolic grid antenna

** LC-485/422 required for 485/422

Radio Specifications

	VTX2500 Transmitter	VRX2500 Receiver	
Frequency RF Output Power Frequency Stability	2400–2483 MHz per FCC Part 15.249 0.005% PLL stabilized	> 60dB > 20dB for adjacent channels, > 90dB Ch 1–4, > 60dB Ch 2–4, 3–1 –90 dBm	Image Rejection Adj. Ch. Rejection Receiver Sensitivity
Current Draw	140mA, max., 10mA in standby	400mA, nom.	Current Draw
Humidity Temp. Range	100% (enclosure) –20° to +158°F (–30° to +70°C)	100% (enclosure) –20° to +158°F (–30° to +70°C)	Humidity Temp. Range
Alarms	2 Virtual Wire™, contact closure (configurable with TrangoLink)	32-bit code same as VTX2500 alarm input	Coding Output Level
Video Bandwidth Input Impedance	5.8 MHz 75 Ohms	> 40dB at –80dBm RF input signal > 45dB at –75dBm RF input signal	Video S/N
Audio Input Input Impedance Bandwidth	1 Vpp line level 600 Ohms 50Hz–15kHz (3dB)	1.5 Vpp line level, typ. 600 Ohms > 12dB at 85dBm RF input	Audio Output Output Impedance Audio Output S/N
Data Connection	RJ-11 jack for connection to PC with TrangoLink software	RJ-11 jack for connection to PC with TrangoLink software	Data Connection
Radio Dimensions	4.7" w × 8.8" h × 2.5" d, 2.65 lb (12cm × 22.4cm × 6.4cm, 1.2 kg)	4.7" w × 8.8" h × 2.5" d, 2.65 lb (12cm × 22.4cm × 6.4cm, 1.2 kg)	Radio Dimensions

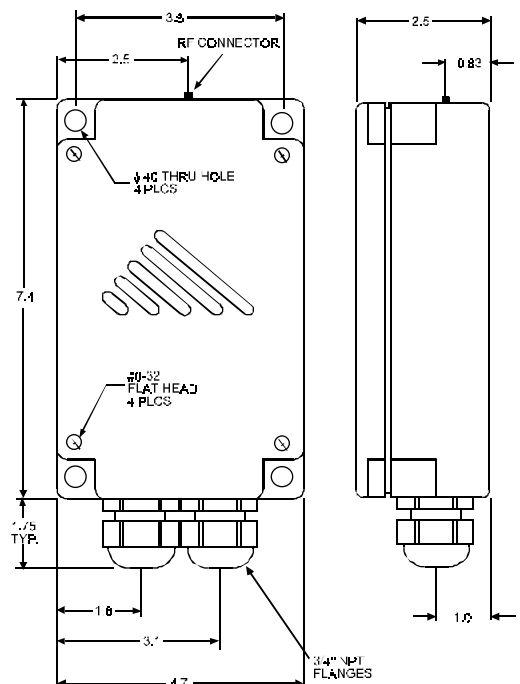
All-Weather Enclosure

The EAGLE PLUS's rugged powdercoat aluminum all-weather enclosure comes with all necessary mounting hardware, ready right out of the box for the most demanding outdoor environments. Two flanges and a SMA-F connector provide a water- and weather-tight seal for all power and antenna connections.



9939 Via Pasar · San Diego, CA 92126
Phone: (858) 653-3900
Fax: (858) 621-2725

E-mail: trango@trangosys.com
WWW: <http://www.trangosys.com/>



All specifications subject to change without notice. Copyright 1999 Trango Systems, Inc.