



TM

RDL® Radio Design Labs™

SPECIALISTS IN PRACTICAL PRECISION ENGINEERING™



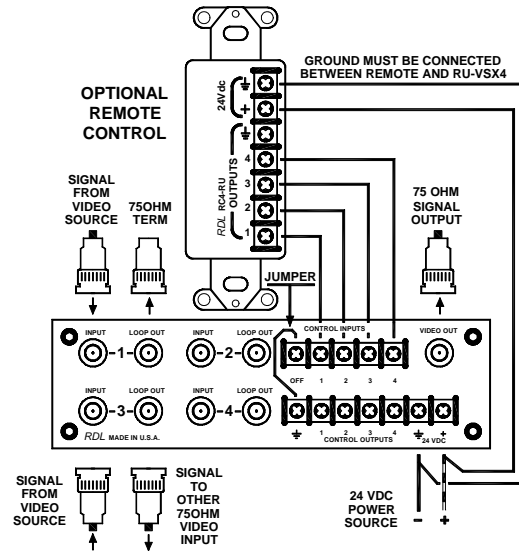
RACK-UP® SERIES

Model RU-VSX4 4-Input Video Switcher



Installation Instructions

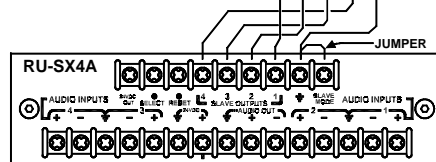
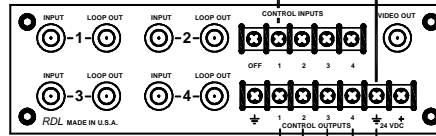
Typical Performance reflects product at publication time exclusive of EMC data, if any, supplied with product.



INPUT AND OUTPUT VIDEO SIGNALS MUST BE 75 OHM TERMINATED

OPTIONAL MOMENTARY REMOTE CONTROL CONNECTIONS

SHOWN CONNECTED TO CHANNEL 1
CONTROL MAY USE SWITCH
OR OPEN COLLECTOR TRANSISTOR



AUDIO FOLLOW VIDEO WIRING USING RDL RU-SX4A AUDIO SWITCHER

TYPICAL PERFORMANCE

Input Impedance:	5 kΩ Bridging 75 Ω Line
Gain:	Unity, 75 Ω terminated Input; 75 Ω terminated Output
Load Impedance:	75 Ω
Outputs (5):	4 Loop Out from Input Signals; 1 Amplified OUTPUT
Operating Signal Level:	0.5 to 1 V p-p
Frequency Response:	10 Hz to 10 MHz (+/- 0.35 dB)
Noise:	< -70 dB below 1 V p-p
Crosstalk:	< 55 dB
Off Attenuation:	> 65 dB
Differential Gain:	0.1%
Differential Phase:	0.3 degree
Connector Type:	BNC, gold plated
External Control Inputs:	Electronic or mechanical closure to ground, 1 mA
External Control Outputs (4):	50 mA, Open-collector to Ground
Power Requirement:	24 to 33 Vdc @ 110 mA, Ground-referenced

Radio Design Labs Customer Service Centers
 U.S.A. (800) 933-1780, (520) 778-3554; Fax: (520) 778-3506
 Europe INH Amsterdam (+31) 20-6238 983 Fax: (+31) 20-6225-287