



### ATTENTION INSTALLER

BEFORE INSTALLING THIS EQUIPMENT, PLEASE READ THE INSTRUCTION MANUAL THOROUGHLY. IF YOU ARE NOT TOTALLY FAMILIAR WITH THE INSTALLATION OF THIS TYPE OF APPARATUS, PLEASE SECURE THE ASSISTANCE OF A QUALIFIED TECHNICIAN. IF THE UNIT IS NOT CONNECTED PROPERLY, DAMAGE MAY RESULT AND YOUR WARRANTY MAY BE VOIDED.



INSTRUCTION MANUAL

## PZ-5 ZONE PAGING SELECTOR

FOR ASSISTANCE OR REPAIR SERVICE CONTACT



200 NEW HIGHWAY P.O. BOX 726  
AMITYVILLE, N.Y. 11701 - 0726  
631-957-8700 1-800-645-5516

**C. S. I. PROFESSIONAL SERIES**

## Unpacking and Installation

Although it neither complicated to install nor difficult to operate your zone paging selector, a few minutes of your time is required to read this manual for properly wired installation and becoming familiar with its features and how to use them. Please take great care in unpacking your set and do not discard the cartion and other packing materials. They may be needed when moving your set or if it ever becomes necessary to return your set for service Never place the unit near a radicator, in front of heating vents, in direct sunlight , or in excessively humid or dusty locations. Connect your complementary components as illustrated on the following pages.

## Features

### SPEAKER ZONE PAGING SELECTOR

A speaker zone selector switch is provided to enable you to select any of 5 speaker zones individually or a combination or all 5 speaker zones at one time. This unit is for selection of speaker zones for 25V and 70V applications only.

## Specifications

selector Current Rating for 25V/70V line out put.....2A

Channel Seletor .....2A

All Group Current Rating .....2A

### Output Power for Each Channel (Zone 1-5)

INPUT VOLTAG LINE	OUTPUT POWER	MAX OUTPUT POWER
25V	50W	75W
70V	140W	210W

Total Output Power for All Channels .....25V/75W, 70V/210W

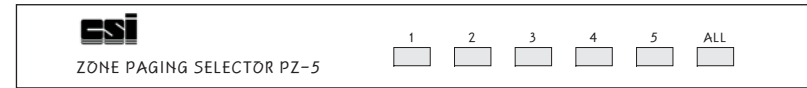
Dimensions.....16<sup>1</sup>/<sub>2</sub>(W)x2(H)x9(D)

Weight (Net).....6.5 lbs(3kg)

For rack mounting use RKMB-3 rack mount kit

NOTE : Specifications and design subject to change without notice.

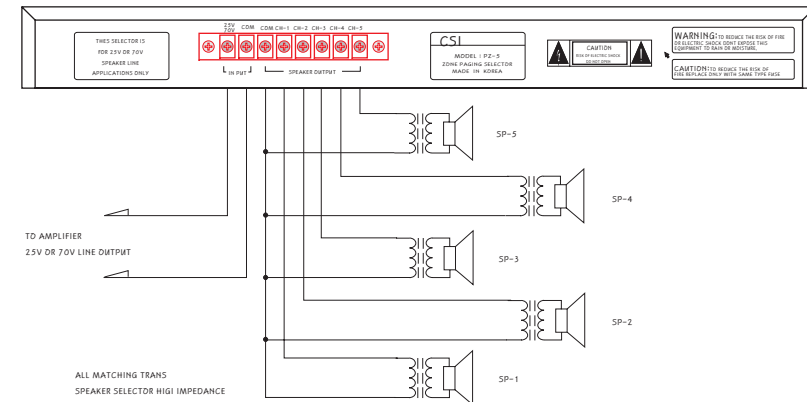
## Front Panel Controls



### SPEAKER ZONE PAGING SELECYOR SWITCHES

These push button switches are used for directing the output of amplifier to a speaker zone individually in combination or totally. Switch "ALL" will connect all 5 speaker zones at the same time combined or select speaker zones 1 to 5 respectively. (or 1+2, 1+5, 3, 4+5, etc)

## Rear Panel Connections



### SPEAKER OUTPUT TERMINALS

These terminals are for speaker zone connection using 25V or 70V line transformers. Be sure not to make the total impedance less than rated impedance on 25V or 70V.

NOTE : Please note that only 25V or 70V terminals should be connected when using speaker zone selector. This selector is not for use with amplifiers not having a 25V or 70V line output or for speakers not using speaker line transformers. This unit is not a speaker selector for 4, 8 or 16 ohm applications.