



SLS US 2403 Loudspeaker shown

MultiMount™ Pan and Tilt Speaker Mount

This universal speaker mount supports loudspeakers weighing up to 25 lbs./11.3 kg, and attaches them to walls, ceilings, overhangs, and other structural surfaces. Using its independent pan, tilt, and clockwise adjustments, loudspeakers can be aimed and locked into almost any direction and angle. In addition, the MultiMount's speaker adapter plate conforms to standard one and two hole mounting patterns.

been inserted into the mounting plate, the installer's hands are free to complete the wiring and positioning process.

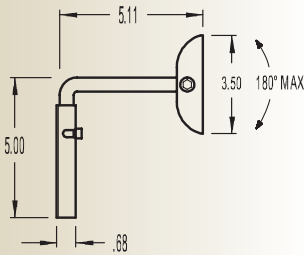


MM-010 Assembly

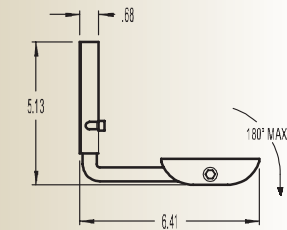
SPECIFICATIONS:

Material:	Structural steel alloy
Finish:	Anodize/powder coat
Color:	Black and white
Working load limit:	25 lbs.(11.3 kg) max
Design factor:	10:1 ratio
Net weight:	1 lb (2.2 Kg.) each
Shipping weight:	3 lbs (6.6 Kg)/pair
Pack count:	2 units/carton

DIMENSIONS:



MM-010 assembly
(Rear mounted speakers)



MM-010 assembly
(Bottom mounted speakers)

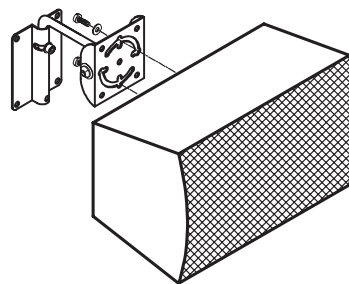
STANDARD FEATURES:

- Separate pan, tilt and clockwise rotations
- Infinite aiming and locking angles
- No "memory" or "drift"
- Accommodates standard one and two hole mounting patterns.

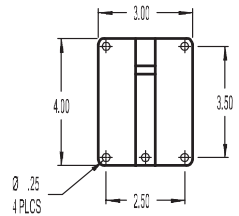
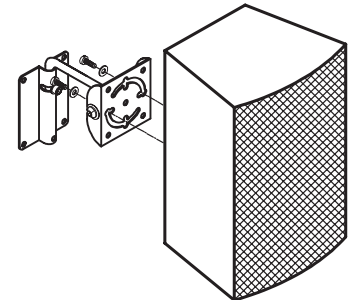
OPTIONAL ACCESSORIES:

- PoleStar™ pole adapter
- Safety cables (many standard lengths)

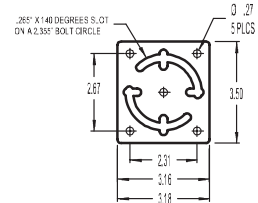
HORIZONTAL ORIENTATION:



VERTICAL ORIENTATION:



Wall Mounting Plate



Speaker Adapter Plate



A division of:
ADAPTIVE TECHNOLOGIES GROUP
1635 E. Burnett Street
Signal Hill, CA 90755 USA
PH: 562.424.1100 FX: 562.424.3520

www.allenproducts.com

WARNING: Mounting and/or suspension of audio and video equipment requires experienced professionals. Improperly installed equipment can result in property damage, personal injury and/or liability to the installing contractor.

MADE IN THE USA

ALWAYS USE SAFETY CABLES.