

# GX-100/150

ABS MOLDED LOUDSPEAKER

LAUTSPRECHER MIT ABS-KUNSTSTOFFGEHÄUSE

ALTAVOCES EN MOLDE ABS

ENCEINTES ABS MOULEES GX-100/150



GEMINIDJ.COM

## Worldwide Offices

### USA:

Gemini Sound Products Corp.  
Worldwide Headquarters  
120 Clover Place  
Edison, New Jersey 08837  
Ph: 732.738.9003  
Fax: 732.738.9006

### UK:

Gemini Sound Products LTD  
Unit C4 Hazleton  
Industrial Estate,  
Waterlooville P08 9JU  
Ph: +44 (0)87 087 00880  
Fax: +44 (0)87 087 00990

### Spain:

Gemini Sound Products S.A.  
Rosellon 516 local  
08026 Barcelona  
Ph: + 34 93 436 37 00  
Fax: + 34 93 347 69 61

### France:

GSL France  
1, Allée d' Effiat,  
Parc de l'événement  
F-91160 Longjumeau  
Ph: + 33 1 69 79 97 70  
Fax: + 33 1 69 79 97 80

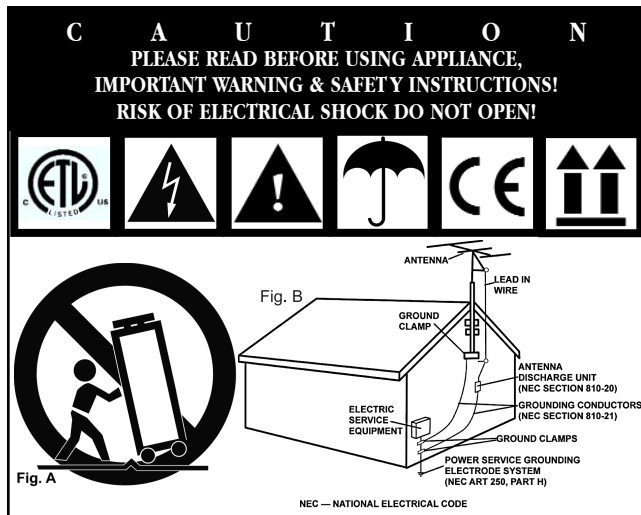
### Germany:

Gemini Sound  
Products GmbH  
Liebigstrasse 16  
85757 Karlsfeld  
Ph: + 49 8131 39171-0  
Fax: + 49 8131 39171-9



In the USA: If you experience problems with this unit, please go to <http://www.geminidj.com/support.html> or call 1-732-738-9003 for Gemini Customer Service. Do not attempt to return this equipment to your dealer. Gemini stands behind their products with a 1 year limited warranty on all audio products. For larger images & detailed specs visit our website @ <http://www.geminidj.com>. WE ARE NOT RESPONSIBLE FOR TYPOGRAPHICAL ERRORS OR OMISSIONS. WE RESERVE THE RIGHT TO CHANGE WITHOUT NOTICE. Parts of the design of this product may be protected by worldwide patents. Information in this manual is subject to change without notice and does not represent a commitment on the part of the vendor. Gemini Sound Products Corp. shall not be liable for any loss or damage whatsoever arising from the use of information or any error contained in this manual. No part of this manual may be reproduced, stored in a retrieval system or transmitted, in any form or by any means, electronic, electrical, mechanical, optical, chemical, including photocopying and recording, for any purpose without the express written permission of Gemini Sound Products Corp. It is recommended that all maintenance and service on this product is performed by Gemini Sound Products Corp. or its authorized agents. Gemini Sound Products Corp. will not accept liability for loss or damage caused by maintenance or repair performed by unauthorized personnel.

**gemini**<sup>®</sup>  
GEMINIDJ.COM



**CAUTION:** This product satisfies FCC regulations when shielded cables and connectors are used to connect the unit to other equipment. To prevent electromagnetic interference with electric appliances such as radios and televisions, use shielded cables and connectors for connections.

The exclamation point within an equilateral triangle is intended to alert the user to the presence of important operating and maintenance (servicing) instructions in the literature accompanying the appliance.

The lightning flash with arrowhead symbol, within an equilateral triangle, is intended to alert the user to the presence of uninsulated "dangerous voltage" within the product's enclosure that may be of sufficient magnitude to constitute a risk of electric shock to persons.

**READ INSTRUCTIONS:** All the safety and operating instructions should be read before the product is operated.

**RETAIN INSTRUCTIONS:** The safety and operating instructions should be retained for future reference.

**HEED WARNINGS:** All warnings on the product and in the operating instructions should be adhered to.

**FOLLOW INSTRUCTIONS:** All operating and use instructions should be followed.

**CLEANING:** The product should be cleaned only with a polishing cloth or a soft dry cloth. Never clean with furniture wax, benzene, insecticides or other volatile liquids since they may corrode the cabinet.

**ATTACHMENTS:** Do not use attachments not recommended by the product manufacturer as they may cause hazards.

**WATER & MOISTURE:** Do not use this product near water, for example, near a bathtub, wash bowl, kitchen sink, or laundry tub; in a wet basement; or near a swimming pool; and the like.

**ACCESSORIES:** Do not place this product on an unstable cart, stand, tripod, bracket, or table. The product may fall, causing serious injury to a child or adult, and serious damage to the product. Use only with a cart, stand, tripod, bracket, or table recommended by the manufacturer, or sold with the product. Any mounting of the product should follow the manufac-

turer's instructions, and should use a mounting accessory recommended by the manufacturer.

**CART:** A product and cart combination should be moved with care. Quick stops, excessive force, and uneven surfaces may cause the product and cart combination to overturn. SEE FIGURE A.

**VENTILATION:** Slots and openings in the cabinet are provided for ventilation and to ensure reliable operation of the product and to protect it from overheating, and these openings must not be blocked or covered. The openings should never be blocked by placing the product on a bed, sofa, rug, or other similar surface. This product should not be placed in a built-in installation such as a bookcase or rack unless proper ventilation is provided or the manufacturer's instructions have been adhered to.

**POWER SOURCES:** This product should be operated only from the type of power source indicated on the marking label. If you are not sure of the type of power supply to your home, consult your product dealer or local power company.

**LOCATION:** The appliance should be installed in a stable location.

**NON-USE PERIODS:** The power cord of the appliance should be unplugged from the outlet when left unused for a long period of time.

**GROUNDING OR POLARIZATION:**

- If this product is equipped with a polarized alternating current line plug (a plug having one blade wider than the other), it will fit into the outlet only one way. This is a safety feature. If you are unable to insert the plug fully into the outlet, try reversing the plug. If the plug should still fail to fit, contact your electrician to replace your obsolete outlet. Do not defeat the safety purpose of the polarized plug.

- If this product is equipped with a three-wire grounding type plug, a plug having a third (grounding) pin, it will only fit into a grounding type power outlet. This is a safety feature. If you are unable to insert the plug into the outlet, contact your electrician to replace your obsolete outlet. Do not defeat the safety purpose of the grounding type plug.

**POWER-CORD PROTECTION:** Power-supply cords should be routed so that they are not likely to be walked on or pinched by items placed upon or against them, paying particular attention to cords at plugs, convenience receptacles, and the point where they exit from the product.

**OUTDOOR ANTENNA GROUNDING:** If an outside antenna or cable system is connected to the product, be sure the antenna or cable system is grounded so as to provide some protection against voltage surges and built-up static charges. Article 810 of the National Electrical Code, ANSI/NFPA 70, provides information with regard to proper grounding of the mast and supporting structure, grounding of the lead-in wire to an antenna discharge unit, size of grounding conductors, location of antenna-discharge unit, connection to grounding electrodes, and requirements for the grounding electrode. SEE FIGURE B.

**LIGHTNING:** For added protection for this product during a lightning storm, or when it is left unattended and unused for long periods of time, unplug it from the wall outlet and disconnect the antenna or cable system. This will prevent damage to the product due to lightning and power-line surges.

**POWER LINES:** An outside antenna system should not be located in the

vicinity of overhead power lines or other electric light or power circuits, or where it can fall into such power lines or circuits. When installing an outside antenna system, extreme care should be taken to keep from touching such power lines or circuits as contact with them might be fatal.

**OVERLOADING:** Do not overload wall outlets, extension cords, or integral convenience receptacles as this can result in a risk of fire or electric shock.

**OBJECT & LIQUID ENTRY:** Never push objects of any kind into this product through openings as they may touch dangerous voltage points or short-out parts that could result in a fire or electric shock. Never spill liquid of any kind on the product.

**SERVICING:** Do not attempt to service this product yourself as opening or removing covers may expose you to dangerous voltage or other hazards. Refer all servicing to qualified service personnel.

**DAMAGE REQUIRING SERVICE:** Unplug this product from the wall outlet and refer servicing to qualified service personnel under the following conditions:

- When the power-supply cord or plug is damaged.
- If liquid has been spilled, or objects have fallen into the product.
- If the product has been exposed to rain or water.
- If the product does not operate normally by following the operating instructions. Adjust only those controls that are covered by the operating instructions as an improper adjustment of other controls may result in damage and will often require extensive work by a qualified technician to restore the product to its normal operation.
- If the product has been dropped or damaged in any way.
- When the product exhibits a distinct change in performance, this indicates a need for service.

**REPLACEMENT PARTS:** When replacement parts are required, be sure the service technician has used replacement parts specified by the manufacturer or have the same characteristics as the original part. Unauthorized substitutions may result in fire, electric shock, or other hazards.

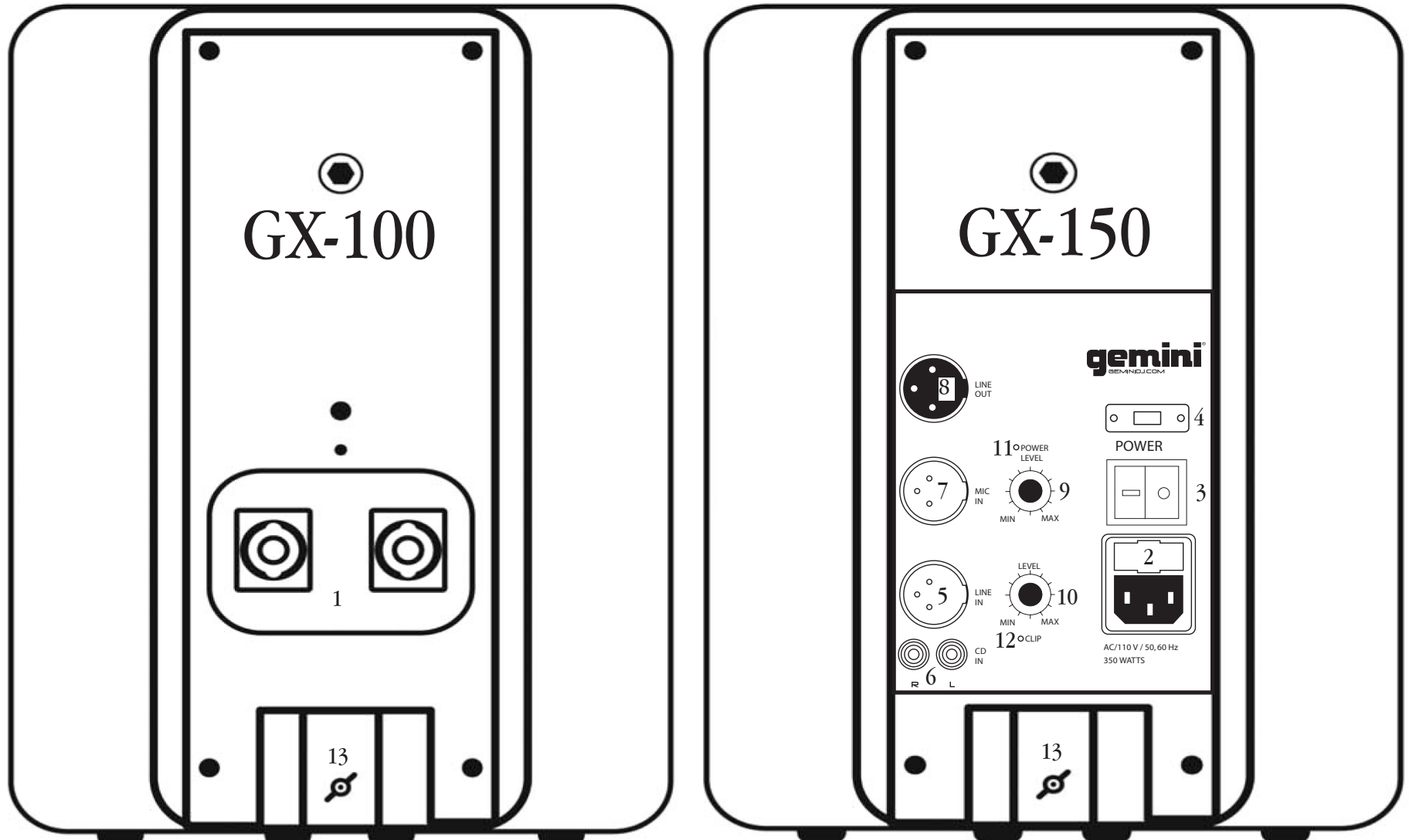
**SAFETY CHECK:** Upon completion of any service or repairs to this product, ask the service technician to perform safety checks to determine that the product is in proper operating condition.

**WALL OR CEILING MOUNTING:** The product should not be mounted to a wall or ceiling.

**HEAT:** The product should be situated away from heat sources such as radiators, heat registers, stoves, or other products (including amplifiers) that produce heat.

**DISPOSAL:** This product shall not be treated as household waste. Instead it shall be handed over to the applicable collection point for the recycling of electrical and electronic equipment. By ensuring this product is disposed of correctly, you will help prevent potential negative consequences for the environment and human health, which could otherwise be caused by inappropriate waste handling of this product. The recycling of materials will help to conserve natural resources. For more detailed information about recycling of this product, please contact your local city office, your household waste disposal service or the shop where you purchased the product.

# Rear

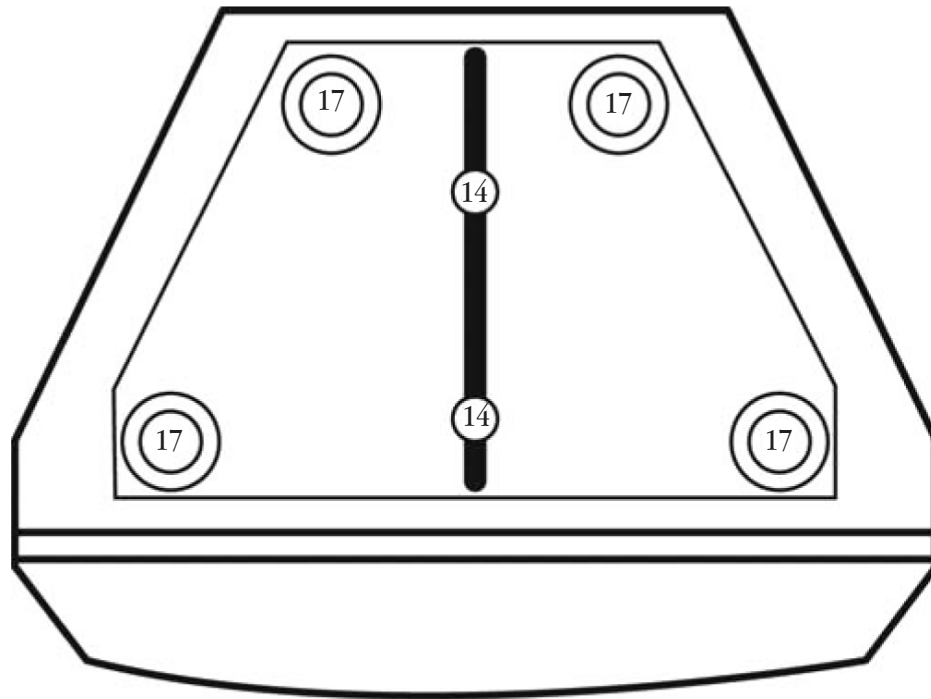


Cables demonstrate numerous possible methods of connection & is not an exact depiction of the wiring set-up. Power cable & electrical outlet shown are for US standards only. Other countries will be provided with the appropriate power cable at authorized dealers.

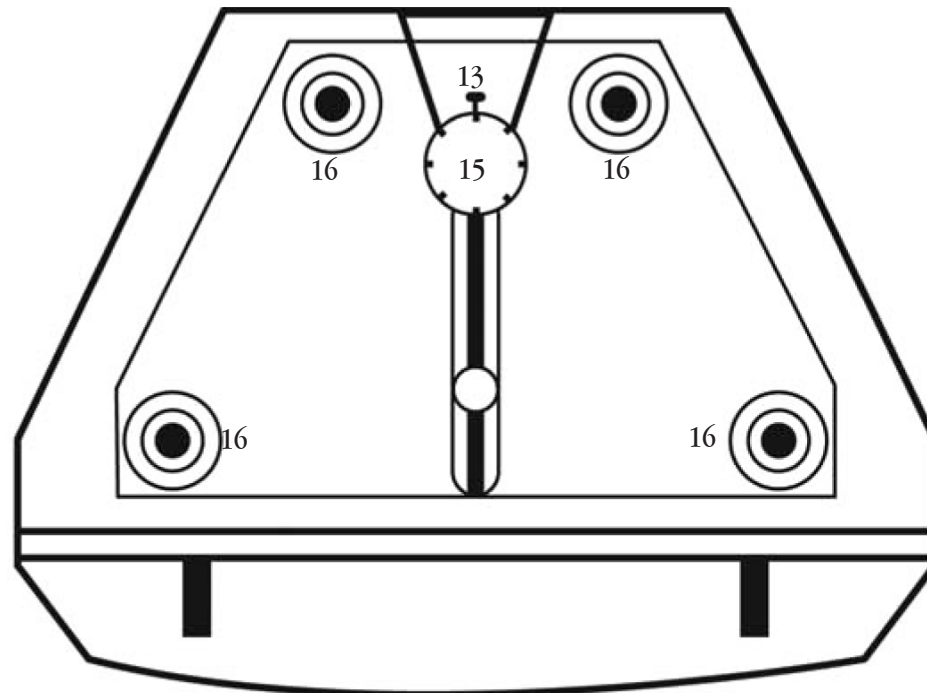
#### Parts Checklist:

- |                               |                            |                              |                 |
|-------------------------------|----------------------------|------------------------------|-----------------|
| 1 x Speaker Cabinet           | 1. Speakon In/Out Jacks    | 6. RCA Line Inputs           | 11. Power LED   |
| 1 x Power Cable               | 2. AC Inlet with Fuse      | 7. XLR Mic Input             | 12. Clip LED    |
| 1 x Manual with Warranty Card | 3. Power Switch            | 8. XLR Line Output           | 13. Locking Pin |
| 2 x Mounting Eyelets          | 4. Voltage Selector Switch | 9. Mic Volume Control        |                 |
|                               | 5. XLR Line Input          | 10. Amplifier Volume Control |                 |

Top



Bottom



- 13. Locking Pin
- 14. Rigging Points
- 15. Stand Mounting Socket
- 16. Rubber Feet
- 17. Stacking Grooves

## GX-100/150 ABS MOLDED LOUDSPEAKERS

### INTRODUCTION:

Congratulations on your purchase of a GX-SERIES trapezoidal loudspeaker, engineered & manufactured by Gemini Sound Products. The Gemini GX speaker range includes the very latest technology in lightweight ABS design. Available in 8", 10", 12", and 15" passive or powered units, the new GX-SERIES is a superb addition to Gemini's comprehensive speaker line. The GX-100 and 150 are backed by a 1 year limited warranty\* and are sure to provide years of reliable service with the proper care and maintenance.

### FEATURES:

#### GX-150 Powered Professional 8" Two Way ABS Loudspeaker

- 8" Aluminum die-cast woofer with high temperature voice coil
- Compression driver with 1.25" titanium diaphragm
- Durable black ABS plastic molded shell & full metal grille
- 100w RMS, 250w peak power amplifier
- Frequency response: 65 Hz - 20 KHz
- Power & clip LEDs
- XLR Mic input with rotary volume control
- XLR and RCA Line inputs
- XLR Line output (for linking multiple speakers)
- Rotary Master volume control
- Stand mounting socket and rigging points
- Rubber feet and stacking grooves
- Mounting eyelets included

#### GX-100 Professional 8" Two Way Passive ABS Loudspeaker

- 8" Aluminum die-cast woofer with high temperature voice coil
- Compression driver with 1.25" titanium diaphragm
- Durable black ABS plastic molded shell & full metal grille
- 100w RMS, 250w peak power handling
- Frequency response: 65 Hz - 20 KHz
- Speakon input and output (for linking multiple speakers)
- Stand mounting socket and rigging points
- Rubber feet and stacking grooves
- Mounting eyelets included

### CAUTIONS:

1. All operating instructions should be read before using this equipment.
2. To reduce the risk of electrical shock, do not open the unit. There are **NO USER REPLACEABLE PARTS INSIDE**. Please refer servicing to a qualified Gemini Sound Products service technician. In the USA: If you experience problems with this unit, please call 1 (732) 738-9003 for Gemini

Customer Service. Do not attempt to return this equipment to your dealer.

3. Do not expose this unit to direct sunlight or to a heat source such as a radiator or stove.
4. This unit should be cleaned only with a damp cloth. Avoid solvents or other cleaning detergents.
5. When moving this equipment, it should be placed in its original carton and packaging. This will reduce the risk of damage during transit.
6. **DO NOT EXPOSE THIS UNIT TO RAIN OR MOISTURE.**
7. **DO NOT USE ANY SPRAY CLEANER OR LUBRICANT ON ANY CONTROLS OR SWITCHES.**

### LINE VOLTAGE SELECTION (GX-150 only):

The GEMINI GX-150 speakers are a dual voltage unit operating at 115 or 230 volts. Be sure to set the proper voltage before operating:

1. Place the head of a screwdriver in the center of the **VOLTAGE SELECTOR (4)** switch found on the rear panel.
2. Slide the switch to 115 or 230 volts.
3. Do not force or twist the switch. Excessive force may cause damage. If the switch does not move smoothly, contact a qualified technician.

### CONNECTIONS:

1. Make sure **ALL** your equipment is completely **OFF** and lower **ALL VOLUME, LEVEL, & GAIN** controls and *before* connecting the speaker.

1. For the GX-100 passive speaker, use a **SPEAKON CABLE** from your **AMPLIFIER OUTPUT** to the **SPEAKON INPUT JACK (1)** on the rear of the speaker.
2. For the GX-100 passive speaker, you may **CHAIN-LINK** additional speakers by running a **Speakon Cable** from one speaker cabinet to another. The ability to do this may depend on the output power and load conditions of your amplifier, as Chain-Linking speakers in this fashion will affect the overall impedance.
3. For the GX-150 active speaker, the amplifier is built into the rear of the speaker cabinet. This means that you can connect a Microphone directly to the **XLR Mic INPUT (7)**, or you can connect a balanced Line Level device to the **XLR LINE INPUT (5)**. Alternatively, you may also connect a Line Level device to the **RCA LINE INPUTS (6)**
3. For the GX-150 active speaker, you may Chain-Link additional speakers by running an XLR cable from the **XLR LINE OUTPUT (8)** of one speaker cabinet to the **XLR LINE INPUT (5)** of another speaker. Since each cabinet is amplified independently, this process can be repeated indefinitely.

### OPERATION:

#### GX-100:

1. First turn on your **MIXER** or other signal source.
2. Then turn on your **AMPLIFIER** and increase the **VOLUME** or **GAIN** control as recommended by the **AMPLIFIER's** owner manual.
3. Start playing a typical audio program through the system, and adjust the volume from the sound source to a reasonable listening level.

#### GX-150:

1. First turn on your audio source (or connect a Microphone), then turn the Speaker's **POWER SWITCH (3)** to the **'ON'** position. The **POWER LED (11)** will light. Start playing a typical audio program through the system, and adjust the volume from the sound source to a reasonable listening level.

2. Use the **AMPLIFIER VOLUME CONTROL (10)** control to adjust the volume of the speaker. If the speaker is overloaded, the **CLIP LED (12)** will illuminate red. If the **CLIP LED (12)** frequently illuminates red, then lower the **AMPLIFIER VOLUME CONTROL (10)** control, or lower the volume from the audio source to avoid damaging the speaker or its built in amplifier.
3. Adjust the volume of a connected microphone by using the **Mic VOLUME CONTROL (9)**.

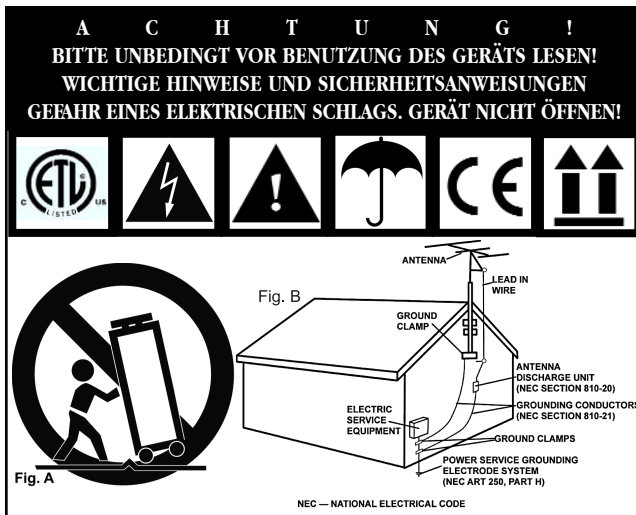
**NOTE: IT IS POSSIBLE TO MOUNT THE GX SERIES SPEAKERS ON A SPEAKER STAND BY INSERTING THE STAND INTO THE STAND MOUNTING SOCKET (15) AND TIGHTENING THE SOCKET USING THE LOCKING PIN (13). ANOTHER WAY TO MOUNT THE SPEAKER IS TO USE THE SPEAKER RIGGING POINTS (14). SPEAKER STANDS ARE AVAILABLE SEPARATELY. THE RUBBER FEET (16) ARE FOR STACKING THE SPEAKERS ON TOP OF ONE ANOTHER WITHIN THE STACKING GROOVES (17) LOCATED ON THE TOP PORTION OF THE SPEAKER.**

### SPECIFICATIONS:

	<b>GX-100</b>	<b>GX-150</b>
Woofer Magnet Weight:	41 Oz	41 Oz
Woofer Voice Coil:	49.5 mm	49.5 mm
Woofer Impedance:	8 Ohms	4 Ohms
Woofer RMS Wattage:	100 Watts	100 Watts
Woofer Peak Wattage:	250 Watts	250 Watts
Compression Driver Magnet Weight:	23 Oz.	23 Oz.
Compression Driver Diaphragm Size:	32 mm	32 mm
Compression Driver RMS Wattage:	60 Watts	60 Watts
Compression Driver Peak Wattage:	120 Watts	120 Watts
Crossover Specification:	3 KHz, 12 dB/Oct.	3 KHz, 12 dB/Oct
Nominal Horn Dispersion:	40° X 90°	40° X 90°
Sensitivity:	97 dB/m/w	97 dB/m/w
Frequency Response:	65-20 KHz	65-20 KHz
Type of Amplifier:	N/A	MONO
Stand Mount Hole:	25 mm	25 mm
Cabinet Weight:	8 lbs (3.7 kg)	11 lbs (4.9 kg)
Shipping Weight:	10 lbs (4.7 kg)	13 lbs (5.9 kg)
Power Requirements:	n/a	110/230VAC/60~50Hz
Cabinet Dimensions:	405x223x293/217mm (16x8.5x11.5/8.5in)	

Specifications and design are subject to change without notice for purpose of improvement.

\*The stated warranty does not affect statutory local warranties.



**VORSICHT:** Dieses Produkt erfüllt die FCC-Regeln, wenn Sie zum Anschluss abgeschirmte Kabel und Stecker verwenden, um es mit anderen Geräten zu verbinden. Auch um elektromagnetische Störungen anderer elektrischer Geräte wie Radios oder Fernseher zu vermeiden, benutzen Sie abgeschirmte Kabel und Stecker für die Verbindungen.

Das Ausrufezeichen im gleichseitigen Dreieck weist Sie in der Bedienungsanleitung auf wichtige Bedienungsanweisungen und Wartungs-/Serviceanweisungen hin.

Das Blitzsymbol im gleichseitigen Dreieck dient dazu, den Benutzer vor gefährlichen Spannungen an nicht isolierten Stellen im Gehäuse zu warnen, die so groß sind, dass Sie eine Gefahr für den Benutzer darstellen.

**ANWEISUNGEN LESEN:** Lesen Sie alle Sicherheits- und Bedienungsanweisungen, bevor Sie mit dem Produkt arbeiten.

**AUFBEWAHRUNGSHINWEIS:** Bewahren Sie alle Sicherheits- und Bedienungsanweisungen gut auf.

**WARNHINWEISE:** Alle Warnhinweise für das Produkt und die Bedienungsanweisungen müssen genau eingehalten werden.

**ANWEISUNGEN BEFOLGEN:** Alle Anweisungen zum Betrieb des Produkts sollten befolgt werden.

**REINIGUNG:** Das Produkt sollte nur mit einem Polier- oder einem weichen trockenen Tuch gereinigt werden. Benutzen Sie dazu niemals Möbelwachs, Benzine, Insektizide oder andere flüchtige Reinigungsmittel, denn Sie könnten zur Korrosion des Gehäuses führen.

**ERWEITERUNGEN:** Benutzen Sie keine Erweiterungen, die nicht vom Hersteller empfohlen sind, da sie zu Risiken führen könnten.

**WASSER&FEUCHTIGKEIT:** Benutzen Sie dieses Produkt nicht in der Nähe von Wasser, z. B. in der Nähe einer Badewanne, einer Waschkübel, eines Küchenspülbeckens eines Waschbeckens, in einem feuchten Keller, einem Schwimmbecken oder an ähnlichen Orten.

**ZUBEHÖR:** Stellen Sie das Produkt nicht auf eine wackelige und labile Unterlage. Das Produkt könnte herunterfallen und dabei Kinder oder Erwachsene verletzen, wie auch selber beschädigt werden. Stellen Sie das Produkt nur auf vom Hersteller empfohlene oder verkaufte Unterlagen. Jede Befestigung und Montage des Produkts sollte nach den Anweisungen des Herstellers ausgeführt werden. Nutzen Sie dazu ein vom Hersteller empfohlenes Montageset.

**MOBILE UNTERLAGEN:** Bewegen Sie eine Kombination aus dem Produkt und einer mobilen Unterlage mit Vorsicht. Schnelles Anhalten, zu viel Schub oder unebene Böden können dazu führen, dass sich Produkt und mobile Unterlage überschlagen (SIEHE BILD A).

**BELÜFTUNG:** Schlitz- und Öffnungen im Gehäuse sind für die Belüftung vorgesehen. Sie stellen den zuverlässigen Betrieb des Produkts sicher und schützen es vor Überhitzung. Diese Öffnungen dürfen nicht verschlossen, blockiert oder bedeckt werden. Stellen Sie deswegen das Produkt niemals auf ein Bett, ein Sofa, einen Teppich oder Stellen mit ähnlicher Oberfläche. Wenn Sie dieses Produkt in einer festen Installation wie z. B. in einem Regal oder einem Rack einbauen, sorgen Sie für ausreichende Belüftung oder sorgen Sie dafür, dass die Bestimmungen des Herstellers genau eingehalten werden.

**STROMANSCHLUSS:** Dieses Produkt darf nur mit dem auf dem Gerät angegebenen Strom betrieben werden. Wenn Sie sich nicht sicher sind, welche Stromart Sie bei sich zuhause haben, fragen Sie den Verkäufer des Geräts oder Ihren Stromversorger.

**AUFSTELLUNGORT:** Stellen Sie das Gerät an einem festen Ort auf.

**ZEITEN DES NICHTGEBRAUCHS:** Ziehen Sie das Stromkabel aus dem Gerät heraus, wenn Sie es für eine längere Zeit nicht gebrauchen.

**ERDUNG ODER POLUNG:**

- Wenn dieses Produkt mit einem geolten Wechselstromstecker (Ein Stecker mit einem Kontakt mehr als andere Stecker) ausgestattet ist, passt dieser nur in einer bestimmten Richtung in die Steckdose und ist ein besonderes Sicherheitsmerkmal. Sollten Sie den Stecker nicht komplett in die Steckdose stecken können, versuchen Sie ihn andersherum einzustecken. Sollte der Stecker auch dann noch nicht in die Steckdose passen, beauftragen Sie einen Elektriker, um diese veraltete Steckdose auszutauschen.
- Wenn dieses Produkt mit einem geerdeten dreipoligen Stecker ausgestattet ist, hat der Stecker einen dritten (Erdungs-)Kontakt und passt nur in eine Steckdose mit entsprechender Erdung. Auch das ist ein Sicherheitsmerkmal. Sollte der Stecker nicht in die Steckdose passen, beauftragen Sie einen Elektriker, um diese veraltete Steckdose auszutauschen.

**SCHUTZ DES STROMKABELS:** Stromkabel sollten so verlegt werden, dass man nicht auf sie treten kann noch dass sie von darauf stehenden oder gegen sie stoßenden Gegenständen gequetscht werden. Achten Sie besonders auf Kanten, Sicherung, Stecker und Buchsen.

**AUSSENANTENNENERDUNG:** Wenn Sie eine Außenantenne oder ein Radio-/Fernsehkabelsignal an das Produkt anschließen, achten Sie darauf, dass die Antenne oder das Kabel geerdet sind, um dafür zu sorgen, dass Überspannungen und elektrostatische Aufladungen nicht auftreten können. Im Artikel 810 des National Electrical Code, ANSI/NFPA 70, finden Sie Informationen über die richtige Erdung des Antennenmasts und weitere Informationen zu diesem Thema. (SIEHE AUCH ABBILDUNG B).

**GEWITTER:** Trennen Sie das Produkt während eines Gewitters oder wenn es unbeaufsichtigt ist oder wenn es für eine lange Zeit nicht benutzt wird durch Ziehen des Stromkabels vom Stromnetz. Trennen Sie auch die Verbindung zu einer Antenne oder Radio-/Fernsehkabeln. Dadurch vermeiden Sie Beschädigungen des Produkts durch Blitze oder Überspannungen.

**STROM- UND ÜBERLANDLEITUNGEN:** Stellen Sie eine Außenantenne nicht in der Nähe von Überlandleitungen, elektrischen Licht- oder Stromkreisen oder an Stellen, wo sie in eine solche Leitung fallen könnte auf. Wenn Sie eine Außenantenne aufstellen, achten Sie besonders darauf, dass Sie auf keinen Fall irgendwelche Stromleitungen berührt. Das kann zu gefährlichen Auswirkungen führen.

**ÜBERLASTUNG:** Überlasten Sie keine Steckdosen, Verlängerungskabel oder Sicherungen. Das kann zu Bränden oder elektrischen Schlägen führen.

**EINDRINGEN VON GEGENSTÄNDEN ODER FLÜSSIGKEIT:** Führen Sie niemals irgendwelche Gegenstände durch Öffnungen in das Produkt ein. Sie könnten mit Strom führenden Stellen in Verbindung kommen oder Kurzschlüsse verursachen, die zu Bränden oder elektrischen Schlägen führen können. Gießen Sie niemals irgendwelche Flüssigkeiten auf oder in das Produkt.

**SERVICE:** Versuchen Sie nicht, das Produkt selber zu reparieren. Durch das Öffnen des Gehäuses oder Entfernen von Schrauben können Sie mit gefährlichen Spannungen oder anderen Risiken in Kontakt kommen. Beauftragen Sie im Reparaturfall nur qualifiziertes Servicepersonal.

**WANN SERVICE NÖTIG IST:** Unter den folgenden Bedingungen ziehen Sie auf jeden Fall das Stromkabel aus der Steckdose und beauftragen Sie für eine Reparatur nur qualifiziertes Servicepersonal:

- Wenn das Stromkabel defekt ist.
- Wenn Flüssigkeit auf oder in das Produkt gelaufen ist oder Gegenstände in das Produkt gefallen sind.
- Wenn das Produkt Regen oder Wasser ausgesetzt war.
- Wenn das Produkt trotz Befolgen der Bedienungsanweisungen nicht normal arbeitet. Stellen Sie dabei das Produkt nur nach den Anweisungen der Bedienungsanleitung ein, andere Einstellungen können das Produkt beschädigen und den aufwändigen Einsatz von Technikern für die Wiederherstellung erfordern.
- Wenn das Produkt hingefallen oder auf andere Art und Weise beschädigt ist.
- Wenn das Produkt eine eindeutige Veränderung im Betrieb zeigt.

**ERSATZTEILE:** Wenn Ihr Produkt Ersatzteile benötigt, achten Sie darauf, dass der Servicetechniker nur vom Hersteller erlaubte Ersatzteile oder Ersatzteile, die die gleichen Eigenschaften wie die originalen Teile aufweisen, einsetzt. Falsche Ersatzteile können zu Bränden, elektrischen Schlägen oder anderen Risiken führen.

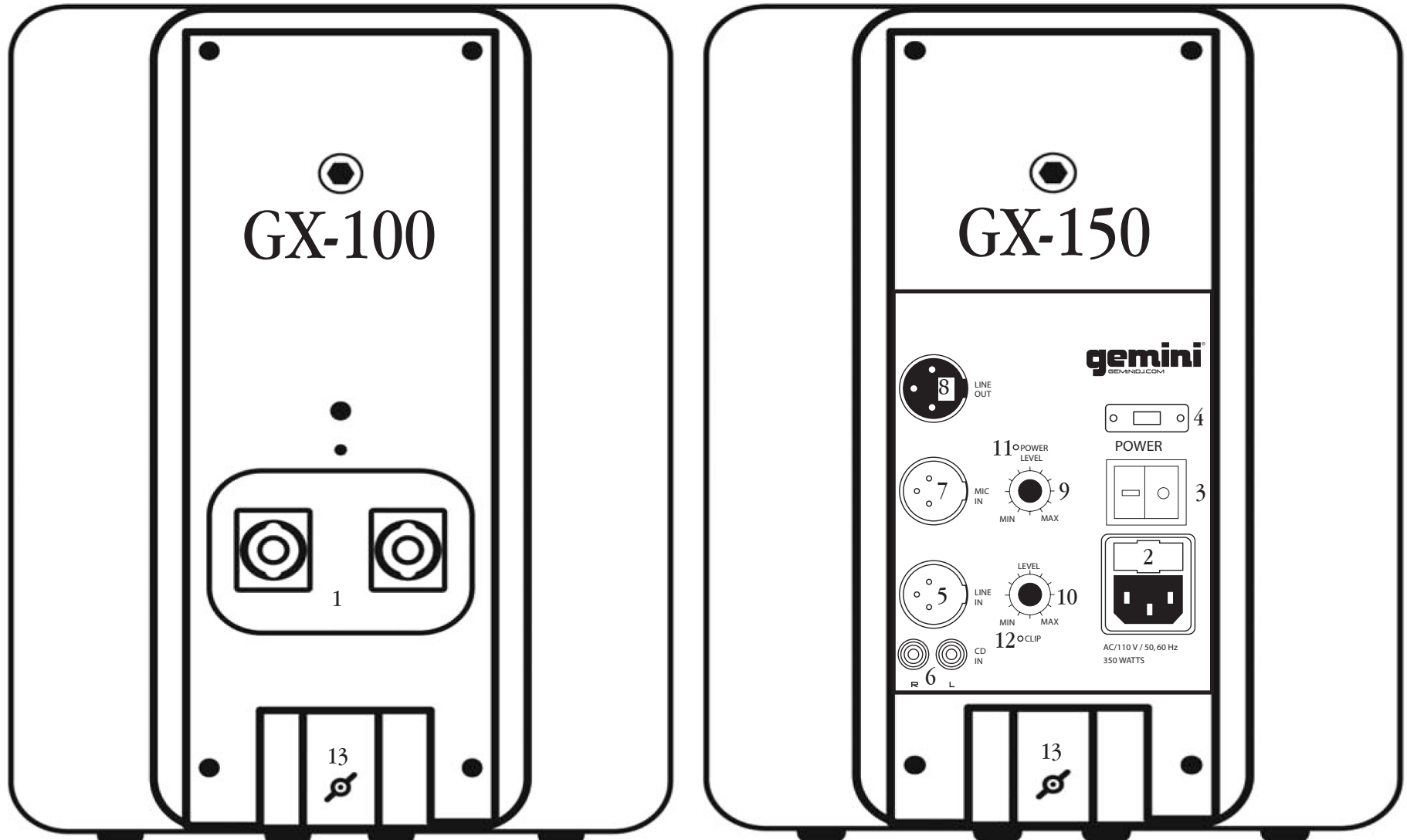
**SICHERHEITSTEST:** Bevor der Service oder eine Reparatur für dieses Produkt beendet sind, beauftragen Sie den Servicetechniker, einen Servicetest durchzuführen, um sicher zu stellen, dass das Produkt einwandfrei funktioniert.

**WAND- ODER DECKENMONTAGE:** Das Produkt sollte nicht an einer Wand oder der Decke montiert werden.

**HITZE:** Stellen Sie das Produkt nicht in der Nähe von Wärmequellen wie Radiatoren, Wärmespeichern, Öfen oder anderen Produkten (auch Verstärker), die Hitze erzeugen.

**VERWERTEN SIE WIEDER:** Dieses Produkt sollte nicht als Haushaltsmüll entsorgt werden. Entsorgen Sie das Produkt im Bedarfsfall bei einer zuständigen Entsorgungsstelle, die das Recycling der elektrischen und elektronischen Bauteile übernimmt. Wenn Sie das Produkt dem gemäß entsorgen, schützen Sie die Umwelt und die menschliche Gesundheit. Bei nicht sachgemäßer Entsorgung gefährden Sie die Umwelt und die menschliche Gesundheit. Das Recycling verschiedener Materialien hilft, die Natur und Ihre Ressourcen zu schonen. Für nähere Informationen bezüglich der Entsorgung dieses Produkts nehmen Sie Kontakt auf mit Ihrer lokalen Stadtverwaltung, dem zuständigen Entsorgungsunternehmen oder dem Händler, bei dem Sie das Produkt gekauft haben.

# Rückseite



Die Anschlusskizze zeigt verschiedene Anschlussmöglichkeiten auf und ist keine genaue Beschreibung der Verkabelung. Die gezeigten Stromkabel und Steckdosen entsprechen US-Standards, Ihr GPA-Leistungsverstärker wird mit dem passenden Stromkabel geliefert.

## Lieferumfang:

1 x Lautsprecher

1 x Netzkabel

1 x Handbuch & Garantiekarte

2 x Flugösen

1. Speakon-Ein- und Ausgänge

2. Netzbuchse mit Sicherung

3. Netzschalter

4. Spannungswahlschalter

5. XLR-Line-Eingang

6. Cinch-Line-Eingang

7. XLR-Mikrofon-Eingang

8. XLR-Line-Ausgang

9. Mikrofon-Lautstärkeregler

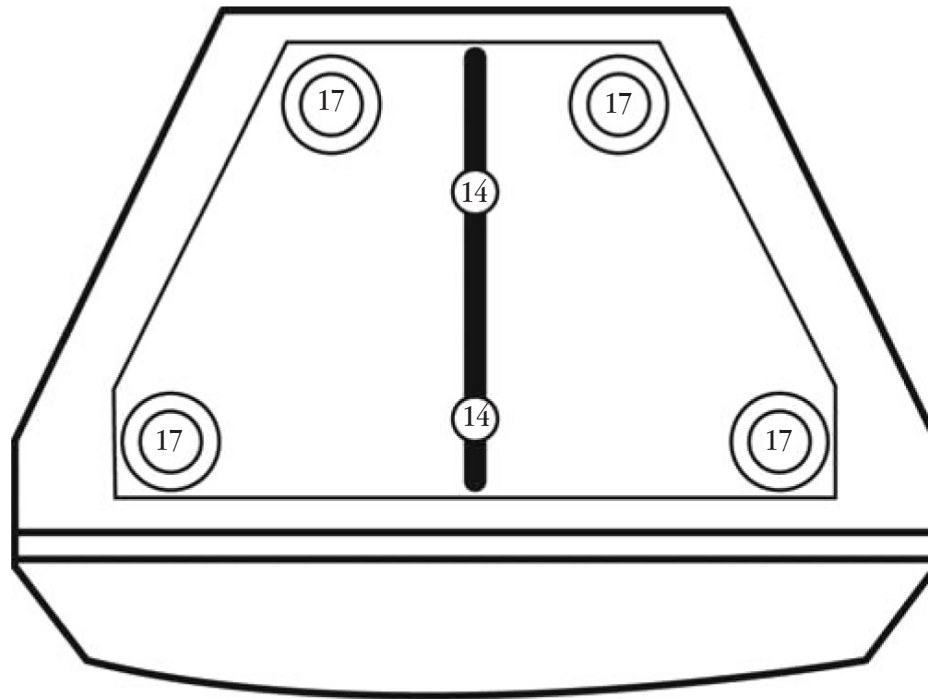
10. Verstärker-Lautstärkeregler

11. Netz/Power-LED

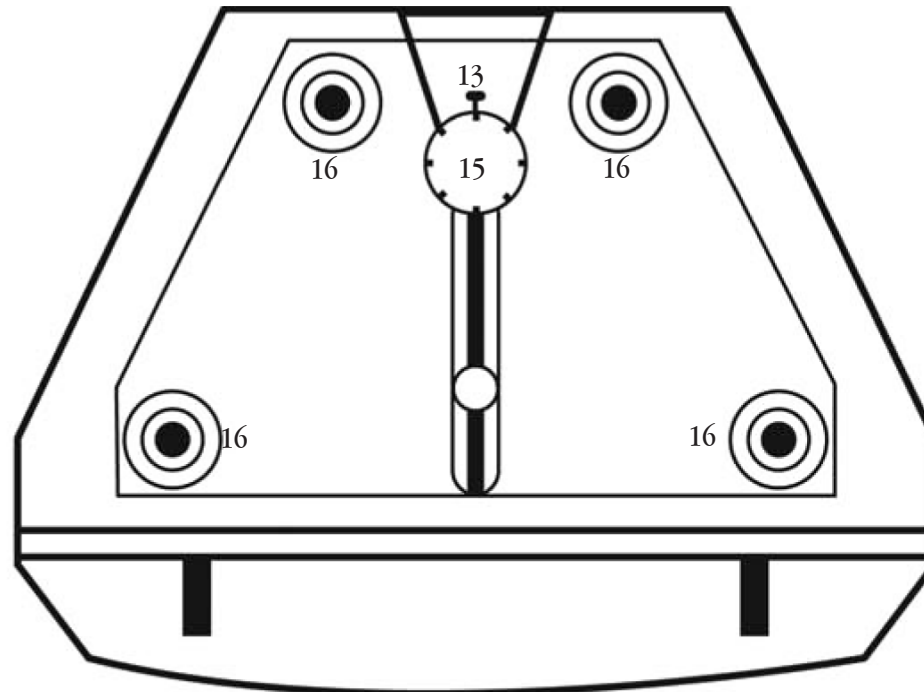
12. Übersteuerungs-LED

13. Sicherheitsschraube

Oberseite



Unterseite



- 13. Sicherheitschraube
- 14. Flugpunkte
- 15. Hochständeradapter
- 16. GummifüÙe
- 17. Stapelecken

## GX-100/150 LAUTSPRECHER MIT ABS-KUNSTSTOFFGEHÄUSE

### EINLEITUNG:

Wir beglückwünschen Sie zu Ihrer Wahl eines trapezförmigen Lautsprechers aus der GX-SERIE, entwickelt und hergestellt von Gemini Sound Products. Die Lautsprecher der Gemini GX-Serie stellen den aktuellen Stand der ABS-Kunststofftechnik dar. Die neue GX-Serie bietet Lautsprecher mit 8", 10", 12" und 15" sowohl in passiver als auch in aktiver Ausführung und erweitert das umfangreiche Angebot an Gemini-Lautsprechern. Die GX-100 und 150 sind mit einer limitierten 1-Jahres-Garantie\* versehen und sie werden bei richtiger Behandlung und Pflege jahrelang zuverlässig arbeiten.

### FEATURES:

#### GX-150 Professioneller Zweiwege-Aktivlautsprecher mit ABS-Kunststoffgehäuse

- 8" Aluminiumspritzguss-Woofer mit Hochtemperaturspule
- Hochtontreiber mit 1,25" Titanium-Membran
- Langlebiges gegossenes ABS-Kunststoffgehäuse mit Metallschutzgitter
- integrierter Leistungsverstärker mit 100 Watt RMS, 250 Watt Spitze
- Frequenzgang von 65 Hz bis 20 kHz
- Power- & Übersteuerungs-LEDs
- XLR-Mikrofoneingang mit Lautstärkereglern
- XLR- und Cinch-Line-Eingang
- XLR-Ausgang für Verlinkung mit weiteren Lautsprechern
- Lautstärke-Drehregler
- Hochständerflansch und Flugpunkte
- Gummifüße und Stapelecken
- Flugösen im Lieferumfang enthalten.

#### GX-100 Professioneller 8"-Zweiwege-Passivlautsprecher mit ABS-Kunststoffgehäuse

- 8" Aluminiumspritzguss-Woofer mit Hochtemperaturspule
- Hochtontreiber mit 1,25" Titanium-Membran
- Langlebiges gegossenes ABS-Kunststoffgehäuse mit Metallschutzgitter
- Leistungsaufnahme: 60 Watt RMS, 180 Watt Peak
- Frequenzgang: 65 Hz - 20 kHz
- Speakon-Ein- und Ausgänge (weitere Boxen können verlinkt werden)
- Hochständerflansch und Flugpunkte
- Gummifüße und Stapelecken
- Flugösen im Lieferumfang enthalten.

### VORSICHTSMASSNAHMEN:

1. Vor Anwendung dieses Geräts bitte alle Anweisungen sorgfältig durchlesen.
2. Das Gerät nicht öffnen, um das Risiko eines elektrischen Schocks zu vermeiden. Es enthält **KEINE VOM ANWENDER ERSETZBAREN TEILE**. Die Wartung darf nur von befähigten Wartungstechnikern durchgeführt werden.

3. Das Gerät keinem direkten Sonnenlicht oder einer Wärmequelle wie einem Heizkörper oder einem Ofen aussetzen.

4. Dieses Gerät darf nur mit einem feuchten Tuch gesäubert werden. Keine Lösungs- oder Reinigungsmittel benutzen.

5. Bei Umzügen sollte das Gerät in seinem ursprünglichen Versandkarton und Verpackungsmaterial verpackt werden. Dadurch verhindert man, dass das Gerät während des Transportes beschädigt wird.

6. **DIESES GERÄT NICHT REGEN ODER FEUCHTIGKEIT AUSSETZEN.**

7. **AN DEN REGLERN ODER SCHALTERN KEIN SPRAYREINIGUNGSMITTEL ODER SCHMIERMITTEL BENUTZEN.**

### SPANNUNGSWAHL (nur GX-150):

Die GEMINI-GX-150-Lautsprecher können sowohl mit 115 oder 230 Volt Spannung betrieben werden. Stellen Sie sicher, dass Sie den richtigen Wert vor Verbindung mit dem Stromnetz eingestellt haben:

1. Führen Sie die Spitze eines Schraubendrehers mittig in den SPANNUNGSWAHLSCHALTER (4) auf der Rückseite ein.
2. Schieben Sie den Schalter entweder auf 115 oder 230 Volt. (in Deutschland muss 230 Volt sichtbar sein)
3. Wenden Sie keine Kraft an oder verdrehen Sie den Schalter, das kann zu Beschädigungen führen. Wenn der Schalter sich nicht leicht bewegen lässt, kontaktieren Sie einen qualifizierten Servicetechniker.

### ANSCHLIESSEN:

1. Stellen Sie sicher, dass **ALLE** anderen Geräte Ihres Equipments **AUSGESCHALTET** sind und **ALLE VOLUME-, LEVEL- & GAIN-REGLER** auf Null stehen, *bevor* Sie die Lautsprecher anschließen.

1. Zum Anschluss der passiven GX-100 Lautsprecher benutzen Sie ein **SPEAKON-KABEL**, um den **VERSTÄRKERAUSGANG** mit dem rückseitigen **SPEAKON-EINGANG (1)** des Lautsprechers zu verbinden.

2. Um weitere Lautsprecher an den passiven GX-100-Lautsprecher anzuschließen, verbinden Sie diese mit Speakon-Kabeln miteinander. Dies ist nur möglich, wenn Ihr Verstärker die entsprechende Leistung und Impedanz anbietet, da weitere Lautsprecher in einem Verbund die Gesamtimpedanz verändern.

3. Der Verstärker des aktiven Lautsprechers GX-150 befindet sich auf dessen Rückseite. Sie können ein Mikrofon direkt an den **XLR-MIKROFONEINGANG (7)** oder ein symmetrisches Line-Signal an den **XLR-LINE-EINGANG (5)** anschließen. Alternativ können Sie ein Line-Signal auch an die **CINCH-EINGÄNGE (6)** anschließen.

3. Um weitere aktive Lautsprecher mit der GX-150 zu verbinden, verbinden Sie den **XLR-LINE-AUSGANG (8)** eines Lautsprechers mit dem einem XLR-Kabel mit dem **XLR-LINE-EINGANG (5)** eines anderen. Da die jeweiligen Lautsprecher über eigene Verstärker verfügen, können Sie nahezu unbegrenzt viele Lautsprecher miteinander verlinken.

### BETRIEB:

#### GX-100:

1. Schalten Sie zuerst Ihren **MIXER** oder Ihre Signalquelle ein.
2. Schalten Sie nun Ihren **VERSTÄRKER EIN** und regeln Sie den/die **Volume- oder GAIN-REGLER** gemäß den Anweisungen der **BEDIENUNGSANLEITUNG** Ihres **VERSTÄRKERS**.
3. Starten Sie nun die Wiedergabe von typischem Audiomaterial über den/die Lautsprecher und stellen Sie die gewünschte Lautstärke ein.

#### GX-150:

1. Schalten Sie zuerst die Signalquelle ein (oder schließen Sie ein Mikrofon an). Jetzt stellen Sie den **NETZSCHALTER (3)** in die Position **'ON'**, und die **Netz-/POWER-LED (11)** beginnt zu leuchten. Starten Sie nun die Wiedergabe von typischem Audiomaterial über den/die Lautsprecher.

2. Mit dem **VERSTÄRKER-LAUTSTÄRKEREGLER (10)** stellen Sie nun die gewünschte Lautstärke ein. Der Lautsprecher wird übersteuert, wenn die **ÜBERSTEUERUNGS-LED (12)** rot leuchtet oder blinkt. Sollte die **ÜBERSTEUERUNGS-LED (12)** dauerhaft rot leuchten, reduzieren Sie mit dem **VERSTÄRKER-LAUTSTÄRKEREGLER (10)** die Lautstärke des GX-150 oder reduzieren Sie die Lautstärke der Signalquelle, um Beschädigungen des Lautsprechers oder des Verstärkers zu vermeiden.

3. Die Lautstärke eines angeschlossenen Mikrofons regeln Sie mit dem **MIKROFON-LAUTSTÄRKEREGLER (9)**.

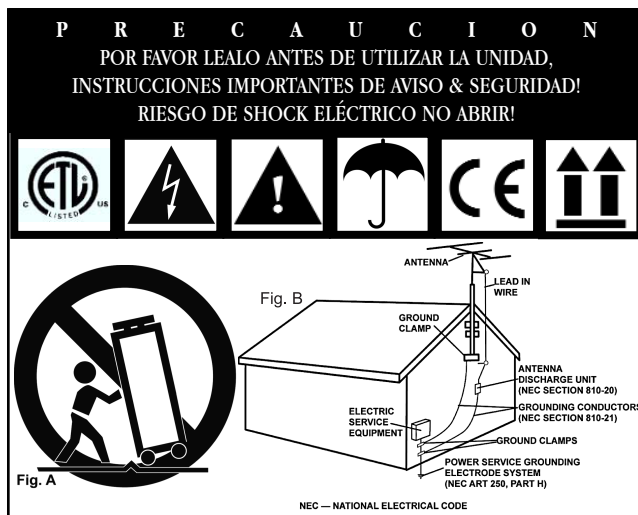
**WICHTIG: SIE KÖNNEN DIE LAUTSPRECHER DER GX-SERIE AUF EINEN HOCHSTÄNDER (NICHT IM LIEFERUMFANG ENTHALTEN) MONTIEREN, INDEM SIE DIESEN IN DEN HOCHSTÄNDERFLANSCH (15) SCHIEBEN UND MIT DER SICHERHEITSSCHRAUBE (13) SICHERN. SIE KÖNNEN DIE LAUTSPRECHER ABER AUCH MITTELS FLUGÖSEN AN DEN FLUGPUNKTEN (14) AN ENTSPRECHENDEN BEFESTIGUNGEN AUFHÄNGEN. DIE GUMMIFÜßE (16) PASSEN IN DIE STAPELECKEN (17) OBEN AUF DEN LAUTSPRECHERN UND DIENEN DEM SICHEREN STAND, WENN SIE LAUTSPRECHER ÜBEREINANDER STAPELN.**

### TECHNISCHE DATEN:

	GX-100	GX-150
Woofer-Magnetgewicht:	1,16 kg	1,16 kg
Woofer-Schwingspule:	49,5 mm	49,5 mm
Woofer-Impedanz:	8 Ohm	4 Ohm
Woofer-RMS-Leistung:	100 Watt	100 Watt
Woofer-Spitzenleistung:	250 Watt	250 Watt
Hochtontreiber-Magnetgewicht:	0,65 kg	0,65 kg
Hochtontreiber-Membran:	32 mm	32 mm
Hochtontreiber-RMS-Leistung:	60 Watt	60 Watt
Hochtontreiber-Spitzen-Leistung:	120 Watt	120 Watt
Frequenzweiche:	3 kHz, 12 dB/Okt.	3 kHz, 12 dB/Okt.
Hornabstrahlung:	40° X 90°	40° X 90°
Empfindlichkeit:	97 dB/m/w	97 dB/m/w
Frequenzgang:	65-20 kHz	65-20 kHz
Verstärkertyp:	keiner	MONO
Hochständeradapter:	25 mm	25 mm
Lautsprechergewicht:	3,7 kg	4,9 kg
Versandgewicht:	4,7 kg	5,9 kg
Stromversorgung:	keine	110/230VAC,60~50Hz
Abmessungen:	405 x 223 x 293/217 mm	

Aus Gründen der Verbesserung können sich die technischen Daten und das Design ohne vorherige Ankündigung ändern.

\*Die allgemeinen gesetzlichen Gewährleistungen bleiben von den Herstellergarantien unberührt.



**PRECAUCION:** Este producto sigue las regulaciones FCC siempre que se utilicen cables y conectores blindados para conectar este equipo a otras unidades. Para prevenir interferencias electromagnéticas con otros aparatos eléctricos como radios y televisiones, utilice siempre conectores y cables con blindaje a masa.

El símbolo de exclamación en un triángulo equilátero alerta al usuario de instrucciones importantes de operación y mantenimiento (servicio) en el texto marcado.

El símbolo de luz flash con un rayo en un triángulo equilátero, alerta al usuario de la presencia de "voltaje peligroso" no aislado en el producto que puede ser de suficiente magnitud como para causar un shock eléctrico a personas.

**LEA LAS INSTRUCCIONES:** Todas las instrucciones de manejo y seguridad deben ser leídas antes de poner en marcha el aparato.

**GUARDE LAS INSTRUCCIONES:** Las instrucciones deben guardarse para futuras consultas.

**OBVIAR LOS AVISOS:** Todos los aviso en el propio producto y manual de instrucciones deben ser tenidos en cuenta.

**SEGUIR LAS INSTRUCCIONES:** Todas las instrucciones deben ser estrictamente realizadas.

**LIMPIEZA:** El producto debe limpiarse solo con un trapo suave y seco. Nunca utilice cera para muebles, gasolina, insecticidas u otro producto que pueda corroer el chasis.

**ACCESORIOS:** No utilice accesorios no recomendados por el fabricante para evitar posibles daños.

**AGUA Y HUMEDAD:** No use este producto cerca del agua, por ejemplo, cerca de la ducha, el baño, la pica de la cocina, o del lavadero; en una superficie húmeda; o cerca de una piscina o similar.

**COLOCACION:** No colocar este producto en mesas, soportes o brazos que no sean totalmente estables. El producto podría caer y dañarse seriamente

o causar daños a personas. Utilice solo soportes recomendados por el fabricante, o vendidos con el producto. Al montar la unidad, siga las instrucciones del manual, y utilice los accesorios recomendados por el fabricante.

**MOBILIDAD:** El producto montado en soporte móvil, debe ser desplazado con cuidado. Frenazos, excesiva fuerza, y superficies deslizantes pueden hacer volcar el conjunto entero. VEA FIGURA A.

**VENTILACION:** Las ventanas y aberturas del chasis dan la ventilación necesaria para asegurar la correcta operativa y proteger la unidad de sobrecalentamientos, y estas aberturas no deben ser bloqueadas o tapadas en ningún caso. Estas aberturas nunca deben bloquearse colocando el producto sobre un sofá, cama, alfombra u otra superficie similar. Este producto no debe instalarse en un sitio cerrado como una librería o rack que no tengan la suficiente ventilación.

**ALIMENTACION:** Este producto debe operar solamente con fuentes de alimentación del tipo indicado en la etiqueta de voltaje. Si usted no tiene la seguridad de la tensión que tiene en su casa, consulte a su distribuidor local o compañía de electricidad.

**COLOCACION:** Este producto debe ser colocado en un sitio estable.

**PERIODOS SIN USO:** El cordón de alimentación debe ser desenchufado de la corriente en caso de no uso durante un largo periodo.

**MASA O POLARIZACION:**

- Si este producto esta equipado con un cable de polarización alternativa (un conector con una pata más ancha que la otra), solo se podrá conectar en una posición. Esto es una característica de seguridad. Si usted no puede introducir el conector, pruebe a invertir la posición. Si continua sin introducirse, contacte con un electricista para reemplazar la base. No deseche la posibilidad de utilizar conectores de seguridad.

- Si el producto viene equipado con un conector de tres bornes, es decir con toma de masa, solo encajara en una toma de corriente del mismo tipo. Esto es para su seguridad. Si el conector no encaja en la toma, contacte con un electricista para reemplazar la base. No deseche la posibilidad de utilizar conectores de seguridad.

**PROTECCION DEL CABLE:** Los cables de corriente deben colocarse de forma que nadie pise o pinche los mismos, poniendo particular atención en la unión con el conector, y en el punto donde se une a la unidad.

**TOMA DE TIERRA DE ANTENA EXTERIOR:** Si hay conectado a este producto un cable de antena o antena exterior, asegúrese de su correcta conexión a tierra para proteger de posibles entradas de tensión y cargas de electricidad estática. El Artículo 810 del Código Eléctrico Nacional, ANSI/NFPA 70, da información de la correcta conexión de masa de los soportes utilizados, del cable de conexión de descarga de la antena, medidas de los conductores de masa, colocación de las antenas, inserción de electrodos de masa, y características de los electrodos. VER FIGURA B.

**RAYOS:** Para protección adicional de este producto durante una tormenta eléctrica, o cuando este desatendido o sin utilización durante un largo periodo de tiempo, desconecte de la toma de corriente y desconecte la antena del sistema. Esto evitará cualquier problema debido a rayos y

subidas de tensión.

**LINEA DE TENSION:** Los sistemas de antena exterior nunca deben colocarse en la proximidad de líneas eléctricas de alta tensión o centrales de transformación eléctrica, o donde puede ser afectado por este tipo de líneas. Al instalar un sistema de este tipo, extreme la precaución de no tocar ningún tipo de línea eléctrica ya que esto resultaría fatal.

**SOBRECARGA:** No sobrecargue las tomas de corriente, cables de alargo, o ladrones de conexión ya que esto podría provocar fuego o shock eléctrico.

**ENTRADA DE OBJETOS & LIQUIDOS:** Nunca introduzca objetos de ningún tipo en las aberturas del producto ya que puedes provocar cortocircuitos o tocar con puntos de alto voltaje provocando fuego o shock eléctrico. Nunca tire líquidos en este tipo de productos.

**SERVICIO TECNICO:** No intente reparar la unidad usted mismo abriendo o quitando las tapas ya que el producto funciona con niveles peligrosos de tensión. Contacte con el servicio cualificado para cualquier reparación.

**SOLICITUD DE REPARACION:** Desconecte de la toma de corriente el producto y contacte con el servicio en caso de:

- Cuando la toma de corriente este dañada.
- Si se ha vertido líquido u objetos dentro de la unidad.
- Si el producto ha estado expuesto a lluvia o agua.
- Si el producto no funciona según las especificaciones del manual. Ajuste tan solo los controles que le indique el manual ya que el modificar ajustes internos puede dañar la unidad y eso requerirá mas trabajo del servicio para reajustar la unidad a sus parámetros iniciales.
- Si el producto ha caído al suelo.
- Cuando el producto no actúa de forma normal.

**RECAMBIOS:** Cuando se necesiten recambios, asegúrese que los técnicos han utilizado recambios originales especificados por el fabricante o tienen las mismas características del recambio original. La substitución incorrecta de piezas puede crear fuego, shock eléctrico, u otros daños.

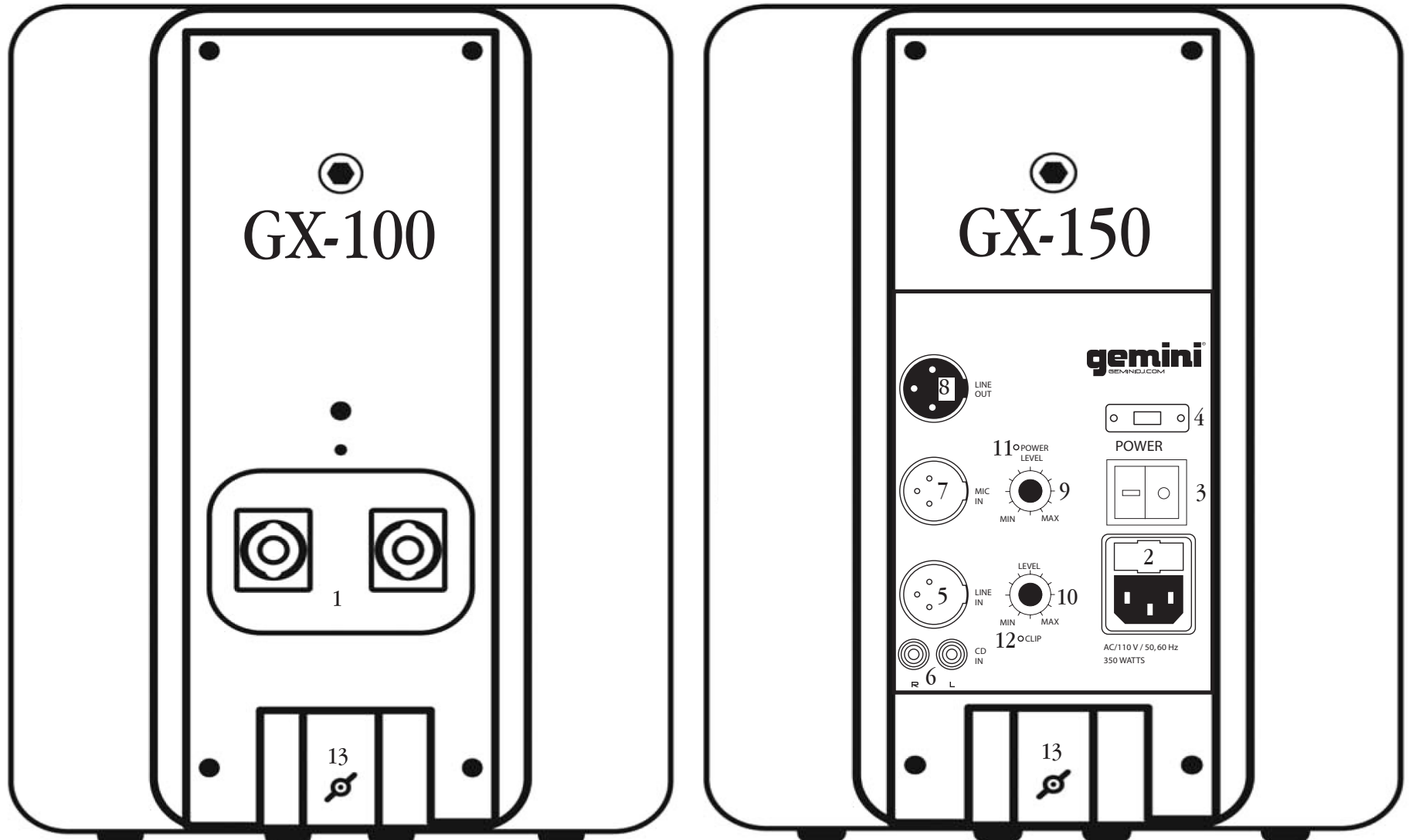
**COMPROBACIONES:** Tras una reparación, solicite al servicio que teste la unidad para comprobar su correcto funcionamiento.

**INSTALACION EN TECHO O PARED:** Los productos no deben ser instalados en techos ni paredes.

**CALOR:** El producto debe estar alejado de Fuentes de calor como radiadores, estufas, u otros productos (incluyendo amplificadores) que producen y emiten calor.

**RECIRCULACIÓN:** Este producto no debe tratarse del mismo modo que los desechos domésticos. En su lugar, usted debe llevarlo al punto verde de recogida más cercano para reciclaje de aparatos eléctricos y electrónicos. Asegurándose que este producto se desecha de forma apropiada, usted esta ayudando a preservar posibles consecuencias negativas para la salud humana que se producirían por incorrectas manipulaciones en caso de utilizar otro método de desecho. El reciclaje de materiales ayudará a conservar el entorno natural. Para información más detallada sobre el reciclaje de este producto, por favor contacte con su ayuntamiento local, el servicio local de basuras, o la tienda donde usted adquirió el producto.

# Atras



Los cables muestran uno de los posibles métodos de conexión y no son descripción exacta de su conexión.

Los cables y conectores de alimentación muestran solo los estándar US. Otros países serán suministrados con el correspondiente cable de alimentación.

## Comprobación de Partes:

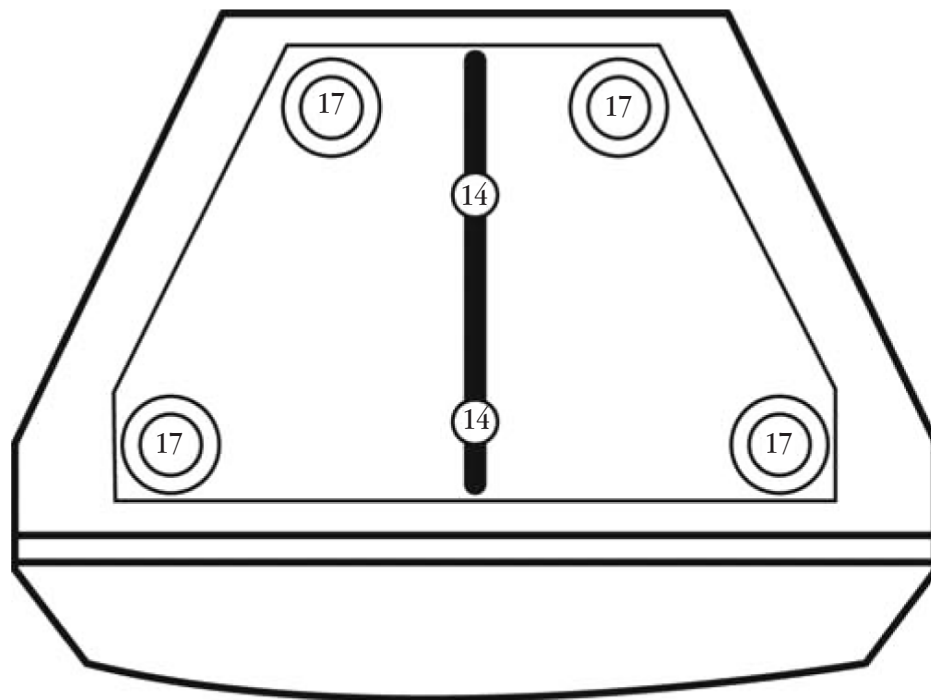
- 1 x Recinto acústico
- 1 x Cable alimentación
- 1 x Manual con carta de garantía
- 2 x enclave montaje

- 1. Speakon / Jacks
- 2. Alimentación con fusible
- 3. Interruptor general
- 4. Selector de Voltaje
- 5. Entrada línea XLR

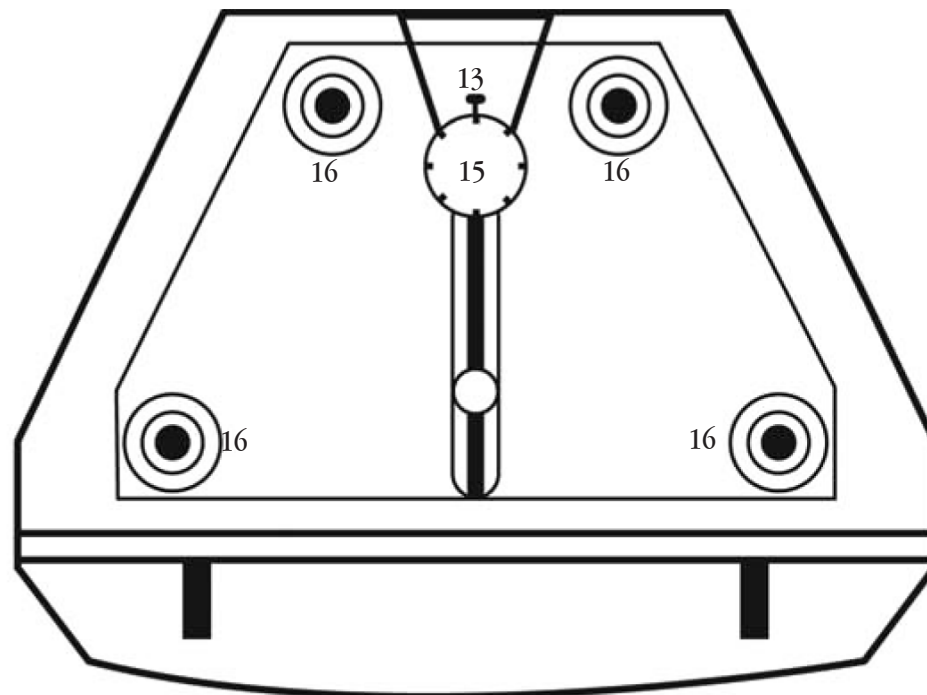
- 6. Entrada línea RCA
- 7. Entrada micro XLR
- 8. Salida línea XLR
- 9. Control volumen Micro
- 10. Control volumen master

- 11. LED alimentación
- 12. LED clip
- 13. Palomilla fijación

Superior



Inferior



- 13. Palomilla fijación
- 14. Rigging para colgar
- 15. Vaso para tripode
- 16. Pies de goma
- 17. Muestras de apile

## GX-100/150 ALTAVOCES EN MOLDE ABS

### INTRODUCCION:

Felicidades por la compra de sus altavoces trapezoidales GX-SERIES, diseñados y fabricados por Gemini Sound Products. El rango de altavoces Gemini GX incluye la última tecnología en diseño ultraligero con ABS. Disponibles en 8", 10", 12", y 15" pasivos o autoamplificados, la nueva GX-SERIES es una perfecta incorporación a los ya existentes altavoces Gemini. Los GX-100 y 150 están respaldados por 1 año de garantía\* limitada y le darán servicio durante muchos años con el adecuado mantenimiento y cuidados.

### CARACTERISTICAS:

#### Altavoces profesionales autoamplificados ABS de 8" dos vías GX-150

- Woofer 8" en Aluminio extrusionado con bobina de alta temperatura
- Bocina de compresión con diafragma de titanio de 1.25"
- Recinto de ABS negro con rejilla metálica completa
- Amplificador de 100w RMS, 250w pico
- Respuesta de frecuencia: 65 Hz - 20 KHz
- LEDs de alimentación y clip
- Entrada Micro XLR con volumen rotativo
- Entrada línea por XLR y RCA
- Salida línea XLR (para linkear con otros altavoces)
- Volumen master rotativo
- Vaso para tripode y puntos de rigging para colgar
- Pies de goma y enclaves de apile
- Alojamiento de Montaje incluidos

#### Altavoces profesionales de 8" 2 vías pasivos GX-100

- Woofer 8" en Aluminio extrusionado con bobina de alta temperatura
- Bocina de compresión con diafragma de titanio de 1.25"
- Recinto de ABS negro con rejilla metálica completa
- Potencia 100w RMS, 250w pico
- Respuesta en frecuencia: 65 Hz - 20 KHz
- Speakon para entrada y salida (para linkear múltiples altavoces)
- Vaso para tripode y puntos rigging para colgar
- Pies de goma y enclaves de apile
- Alojamiento de Montaje incluidos

### PRECAUCIONES:

1. Lea detenidamente estas instrucciones antes de usar este equipo
2. Para reducir el riesgo de shock eléctrico, nunca abra este aparato. **NO HAY PIEZAS REEMPLAZABLES POR EL USUARIO EN EL INTERIOR.** Por favor acuda a un servicio técnico cualificado Gemini Sound Products. En

USA: Si usted experimenta problemas con esta unidad, contacte con el Servicio de Atención al Cliente 1 (732) 738-9003. No trate de devolver la unidad a su proveedor.

3. No exponga esta unidad a sol directo o a fuentes de calor como radiadores o estufas.
4. Esta unidad debe limpiarse solo con un trapo seco. Evite utilizar disolventes u otros detergentes.
5. Para trasladar este equipo, utilice el embalaje original. Esto reducirá el riesgo de daños durante el traslado.
6. **NO EXPONGA ESTA UNIDAD A LLUVIA O ROCIO.**
7. **NO USE NINGUN SPRAY LIMPIADOR O LUBRIFICANTE EN LOS CONTROLES E INTERRUPTORES.**

### SELECCION DE VOLTAGE (solo GX-150):

Los altavoces GEMINI GX-150 pueden operar en doble voltaje a 115 o 230 voltios. Asegúrese de ajustar el voltaje apropiado antes de operar la unidad:

1. Coloque un destornillador de pala en el centro del **SELECTOR DE VOLTAJE (4)** colocado en el panel trasero.
2. Desplace el interruptor a 115 o 230 voltios.
3. No fuerce o doble el interruptor. Una fuerza excesiva puede provocar daños. Si el interruptor no se desliza suavemente, contacte un técnico cualificado.

### CONEXIONES:

1. Asegúrese que el equipo está en **OFF** y todos los controles **VOLUMEN, NIVELES, y GANANCIA** antes de conectar los altavoces.

1. Para los altavoces pasivos GX-100, use un **CABLE SPEAKON** desde su **SALIDA DE AMPLIFICADOR HASTA LA ENTRADA SPEAKON (1)** en la parte trasera del altavoz.

2. Para los altavoces pasivos GX-100, puede **LINKEAR** altavoces adicionales llevando un cable con Speakon de un recinto a otro. La posibilidad de hacer esto dependerá de la potencia del amplificador y las condiciones de carga, ya que el linkeado de altavoces de esta manera afecta a la impedancia total.

3. Para los altavoces activos GX-150, el amplificador está incorporado en la parte trasera del recinto. Esto significa que usted puede conectar directamente un micrófono en la entrada **XLR Mic (7)**, o puede conectar una señal balanceada de línea en la entrada **XLR LINE (5)**. Así mismo, puede conectar una unidad de línea en la entrada **RCA LINE (6)**

3. Para los altavoces activos GX-150, puede linkear altavoces adicionales llevando cable de señal XLR desde la salida **XLR LINE(8)** de un altavoz a la entrada **XLR LINE (5)** de otro altavoz. Al estar cada unidad amplificada independientemente, puede repetir este proceso indefinidamente.

### OPERATIVA:

#### GX-100:

1. Primero encienda su mezclador y fuentes de sonido.
2. Luego encienda su **AMPLIFICADOR** e incremente el **VOLUMEN** o **GANANCIA** siguiendo las recomendaciones del manual.
3. Inicie un programa de audio típico a través de sistema, y ajuste el volumen desde la fuente de sonido a un nivel apropiado para la escucha.

#### GX-150:

1. Primero encienda su fuente de sonido (o conecte un micrófono), luego mueva el interruptor general **POWER SWITCH (3)** a posición **'ON'**. El **LED (11)** de alimentación se ilumina. Inicie un programa de audio típico a través del sistema, y ajuste el volumen desde la fuente de sonido a un nivel apropiado para la escucha.

2. Use el **VOLUMEN (10)** para ajustar el volumen del altavoz. Si el altavoz está sobrealimentado, el **LED DE CLIP (12)** se ilumina en rojo. Si el **LED DE CLIP(12)** se ilumina frecuentemente en rojo, disminuya el **VOLUMEN (10)**, o disminuya el volumen de la fuente de sonido para evitar daños en el altavoz o amplificador incorporado.

3. Ajuste el volumen del micrófono usando el control de **Mic VOLUMEN (9)**.

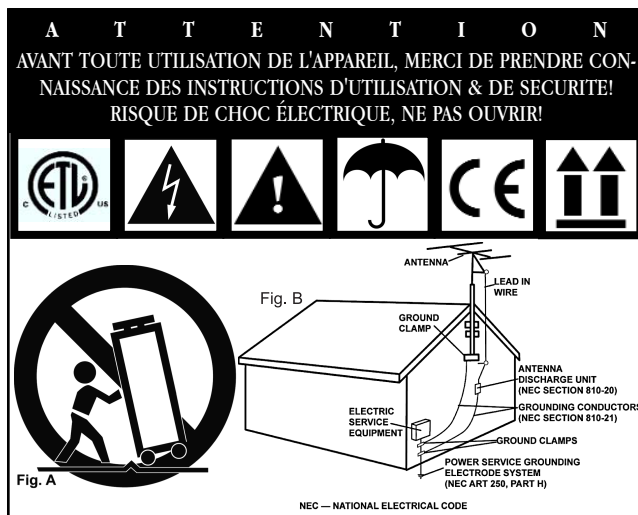
**NOTA: ES POSIBLE MONTAR LOS ALTAVOCES GX SERIES EN UN TRIPODE INSERTANDO ESTE SOPORTE EN EL VASO PARA TRIPODE (15) Y FIJÁNDOLO CON LA PALOMILLA DE SUJECCIÓN (13). OTRA FORMA DE MONTAR LOS ALTAVOCES ES COLGARLOS POR LOS PUNTOS RIGGING (14). LOS TRIPODES ESTAN DISPONIBLES COMO ARTICULO SEPARADO. LOS PIES DE GOMA (16) ESTAN PARA APILAR LOS ALTAVOCES UNO SOBRE OTRO USANDO LOS ALOJAMIENTOS DE APILE (17) COLOCADOS ARRIBA DEL RECINTO.**

### ESPECIFICACIONES:

	<b>GX-100</b>	<b>GX-150</b>
Peso Iman Woofer:	41 Oz	41 Oz
Bobina Woofer :	49.5 mm	49.5 mm
Impedancia Woofer:	8 Ohms	4 Ohms
Potencia RMS Woofer	100 Watts	100 Watts
Potencia Pico Woofer:	250 Watts	250 Watts
Peso bocina de Compresion:	23 Oz.	23 Oz.
Medida del difragma:	32 mm	32 mm
Potencia RMS bocina Compresion:	60 Watts	60 Watts
Potencia Pico bocina compresion:	120 Watts	120 Watts
Especificaciones Crossover:	3 Khz, 12 dB/Oct.	3 Khz, 12 dB/Oct
Dispersion Nominal bocina:	40° X 90°	40° X 90°
Sensibilidad:	97 dB/m/w	97 dB/m/w
Respuesta en Frecuencia:	65-20 Khz	65-20 Khz
Tipo de Amplificador:	N/A	MONO
Vaso de tripode:	25 mm	25 mm
Peso Recinto:	8 lbs (3.7 kg)	11 lbs (4.9 kg)
Peso embalado:	10 lbs (4.7 kg)	13 lbs (5.9 kg)
Alimentacion:	n/a	110/230VAC/60~50Hz
Dimensiones Recinto:	405x223x293/217mm (16x8.5x11.5/8.5in)	

Especificaciones sujetas a cambio sin previo aviso para mejoras del producto.

\*La garantía está sujeta a las leyes locales.



**ATTENTION:** Cet appareil répond aux certifications FCC lorsqu'il est connecté à d'autres appareils à l'aide de cordons blindés. Afin de prévenir tout risque de parasites électromagnétiques avec un poste radio ou TV, veuillez utiliser des cordons blindés.

Le point d'exclamation situé dans un triangle est destiné à attirer votre attention durant l'utilisation de votre appareil ou d'un entretien périodique de ce dernier. Vous en trouverez plusieurs dans le mode d'emploi de l'appareil.

**LIRE LES INSTRUCTIONS:** Toutes les instructions et consignes d'utilisation doivent être lues avant l'utilisation de l'appareil.

**CONSERVEZ LES INSTRUCTIONS:** Nous vous recommandons de conserver les instructions et consignes d'utilisation en cas de nécessité ultérieure.

**RESPECT DES CONDITIONS D'UTILISATION:** Nous vous recommandons de respecter les instructions d'utilisation.

**SUIVRE LES INSTRUCTIONS D'UTILISATION:** Nous vous recommandons de respecter la chronologie des instructions d'utilisation.

**NETTOYAGE:** L'appareil doit être nettoyé avec un chiffon légèrement humide. Ne pas utiliser de produits chimiques corrosifs & volatiles (cire, essence, insecticide...) afin de ne pas endommager l'appareil.

**CORDON:** Ne pas utiliser de cordons non préconisés par le fabricant afin de ne pas endommager l'appareil.

**EAU & HUMIDITE:** Ne pas utiliser l'appareil à proximité d'une source d'eau (cuisine, salle de bain, lavabo...), ni dans un endroit sujet à l'humidité (piscine...).

**ACCESSOIRES:** Ne pas installer cet appareil sur un support ou dans un endroit instable. L'appareil pourrait tomber au risque de blesser une personne et être endommagé. Veiller à utiliser des accessoires (Pied, support, crochet...) recommandés par le fournisseur ou vendu avec l'appareil. Tout montage ou installation doit respecter les instructions du fabricant et utilis-

er des accessoires d'installation recommandés par le fabricant.

**TRANSPORT SUR CHARIOT:** Tout produit installé sur un chariot doit être manipulé avec précaution. Un déplacement brusque ou trop rapide sur une surface non plane pourrait entraîner la chute de l'ensemble et endommager l'appareil. **VOIR FIGURE A.**

**VENTILATION:** Les ouvertures et ouïes d'aération situées sur l'appareil permettent une ventilation optimale de ce dernier afin d'éviter toute surchauffe. Ces ouvertures ne doivent jamais être obstruées. Ne pas placer l'appareil sur un support souple risquant de bloquer les ouïes d'aération (Lit, sofa, canapé...). Si l'appareil est intégré dans une installation ou dans un rack, veillez à la ventilation et consultez le fabricant pour toute information complémentaire.

**ALIMENTATION:** Veillez à respecter la tension d'alimentation située au dos de l'appareil. Si vous n'êtes pas certain de la tension d'utilisation dans votre pays, contactez votre revendeur.

**EMPLACEMENT:** Veillez à installer l'appareil sur un support stable.

**PERIODE DE NON UTILISATION:** Débranchez le cordon d'alimentation de l'appareil en cas de non utilisation prolongée.

**MISE A LA TERRE:**

- Si l'appareil est équipé d'une alimentation à courant alternatif (Prise possédant un contact plus large que l'autre), celle-ci se connectera correctement à la prise uniquement si vous respectez le sens de branchement. Il s'agit là d'une mesure de sécurité. Si vous n'arrivez pas à insérer la fiche dans la prise, inversez la fiche. Si vous ne pouvez toujours pas insérer cette dernière, contactez un électricien afin de remplacer votre prise électrique qui est obsolète. Veillez à respecter cette consigne.

- Si l'appareil est équipé d'une fiche d'alimentation avec terre, veillez à la connecter à une prise électrique équipée d'une connexion à la terre. Il s'agit d'une mesure de sécurité. Si vous ne pouvez insérer la fiche dans la prise électrique, contactez un électricien afin de remplacer votre prise électrique qui est obsolète. Il est important de respecter cette mesure de sécurité.

**INSTALLATION DU CORDON D'ALIMENTATION:** Les cordons d'alimentation doivent être déroulés et rangés proprement afin d'éviter de se prendre les pieds dedans, en particulier les cordons reliés aux prises électriques.

**ANTENNE EXTERIEURE:** Si vous reliez votre appareil à une antenne ou un câble extérieur, assurez-vous de la présence d'une connexion à la terre afin d'éviter les surtensions et les décharges d'électricité statique. L'article 810 du National Electrical Code, ANSI/NFPA 70, précise toutes les informations nécessaires afin d'effectuer correctement le branchement à la terre du pylône ou de la structure porteuse, la connexion du câble à l'antenne de décharge, dimensions des connecteurs de mise à la terre, connexions des électrodes, consignes de mise à la terre des électrodes. **VOIR SCHEMA B.**

**ORAGE/FOUDRE:** En cas d'orage et de non utilisation prolongée, débranchez le cordon d'alimentation, le câble d'antenne et les cordons audio. Ceci afin d'éviter les dégâts occasionnés par la foudre et les surcharges électriques.

**LIGNES ELECTRIQUES:** Une antenne extérieure ne doit pas être située à proximité immédiate de lignes électriques et/ou d'un transformateur électrique, afin de ne pas tomber dessus en cas de chute. Lors de l'installation d'une antenne extérieure, veillez à éviter tout contact avec des lignes électriques : tout contact peut être fatal.

**SURCHARGE:** Ne surchargez pas les prises électriques, blocs multiprises & rallonges en y connectant trop d'appareils. Ceci afin d'éviter tout risque de surcharge électrique ou d'incendie (Surchauffe).

**INSERTION D'OBJET & DE LIQUIDE:** N'insérez pas d'objets dans les fentes ou ouvertures de l'appareil afin d'éviter tout risque de choc électrique et d'incendie. Ne jamais renverser de liquide sur l'appareil.

**SERVICE APRES VENTE:** N'essayez pas de réparer cet appareil ; en l'ouvrant ou en le démontant afin d'éviter tout risque de choc électrique. En cas de problème, veuillez prendre contact avec votre revendeur.

**PANNE/SITUATION NECESSITANT UN RETOUR EN SAV:** Débranchez l'appareil de la prise électrique, remettez le dans son emballage d'origine et contactez votre revendeur en tenant compte des situations suivantes :

- Lorsque le cordon d'alimentation est endommagé.
- Si un liquide a été renversé dessus.
- Si l'appareil a été exposé à la pluie.
- Si l'appareil ne fonctionne pas correctement malgré le respect des instructions d'utilisation. Ajustez uniquement les réglages préconisés dans le mode d'emploi, toute manipulation ou réglage non conseillés dans ce dernier peut endommager l'appareil et procurer plus de travail en cas d'intervention SAV afin de remettre l'appareil en état de marche.

**PIECES DE RECHANGE:** Lorsque vous avez besoin de remplacer des pièces de l'appareil, veillez à utiliser des pièces d'origine ou possédant des caractéristiques identiques. L'utilisation de pièces non autorisées peut endommager l'appareil : surchauffe, court-circuit, choc électrique...

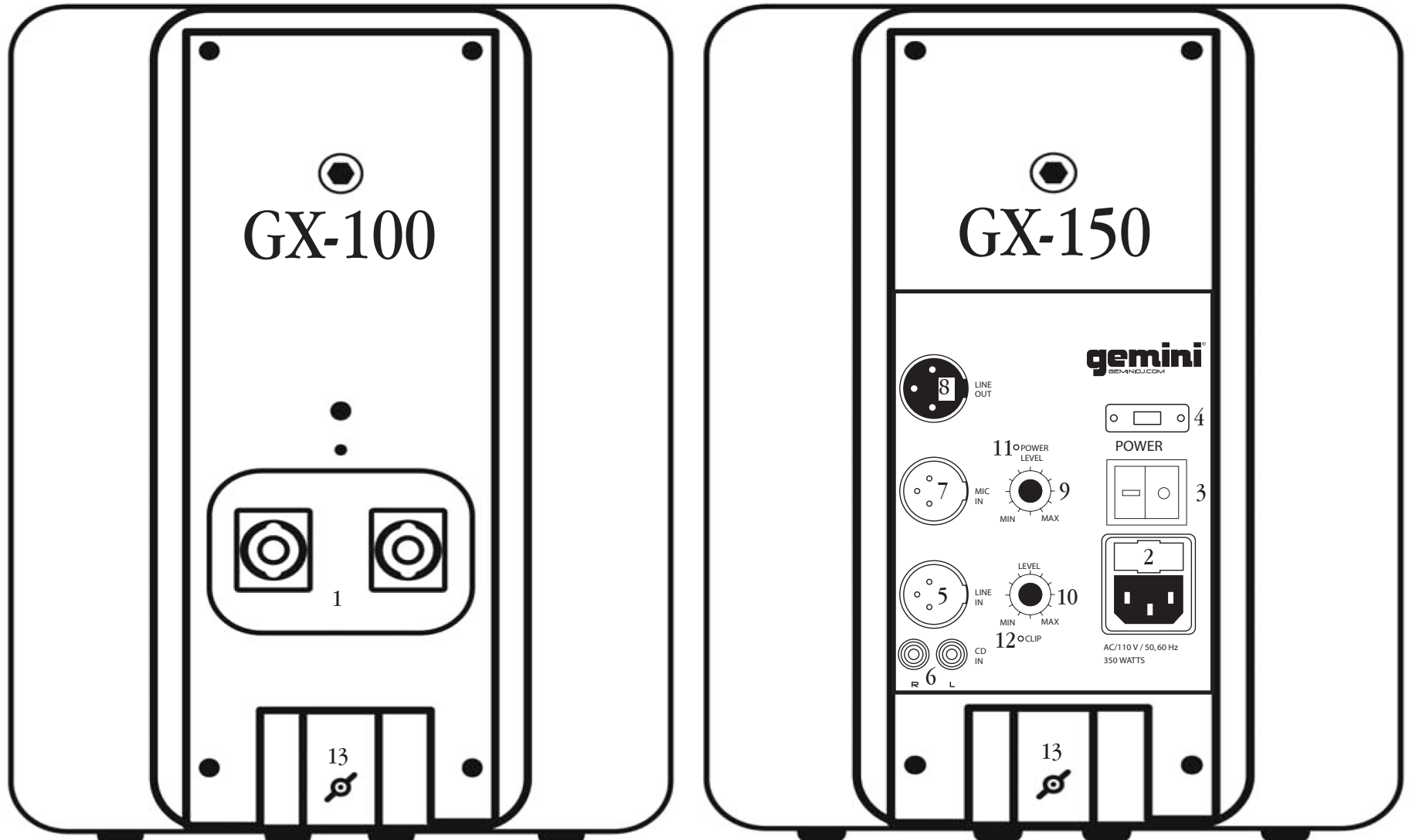
**CONTROLE DE SECURITE:** Avant de récupérer votre appareil, assurez vous que le SAV a effectué tous les contrôles de sécurité nécessaires afin de vous restituer un appareil en état de marche.

**INSTALLATION AU PLAFOND OU SUR UN MUR:** Ce type d'installation est déconseillé.

**CHALEUR:** Veillez à installer l'appareil loin de toute source de chaleur telle que radiateur, réchaud ou tout autre appareil produisant de la chaleur.

**RECYCLAGE:** Cet appareil ne doit pas être considéré comme un déchet domestique à usage unique. Vous devez le déposer dans un point de collecte destiné au recyclage des appareils électroniques et électroménagers. Ainsi vous préserverez l'environnement et éviterez les problèmes de santé publique vis à vis de conséquences négatives; liées à leur dépôt dans un endroit non approprié. Le recyclage contribue à préserver les ressources naturelles. Pour plus d'informations sur les conditions de recyclage de l'appareil, veuillez contacter les autorités de votre pays, les institutions locales ou votre revendeur.

# Arrière



Les exemples de branchement ne constituent qu'un exemple parmi d'autres. Les cordons & prise électrique en situation ne concernent que les USA. Pour les autres pays, les produits sont livrés aux revendeurs avec les cordons appropriés.

#### Pièces Livrées:

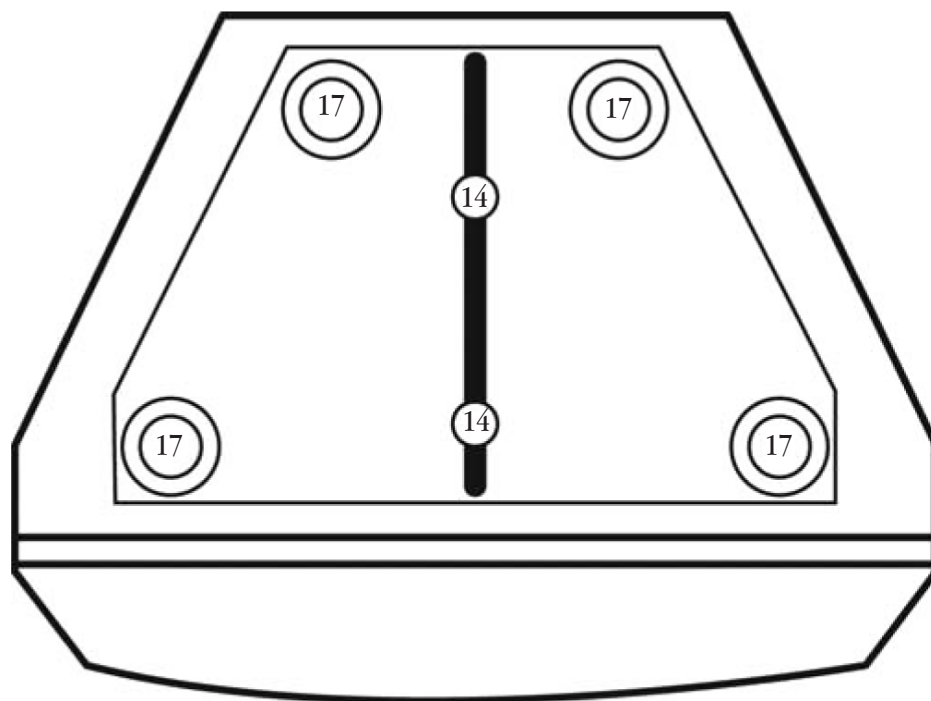
1 x Enceinte  
1 x Cordon d'alimentation  
1 x Mode d'emploi & Carte de garantie

2 x Anneau d'accroche  
1. Embases Speakon  
2. Embase pour alimentation & Fusible  
3. Interrupteur On/Off

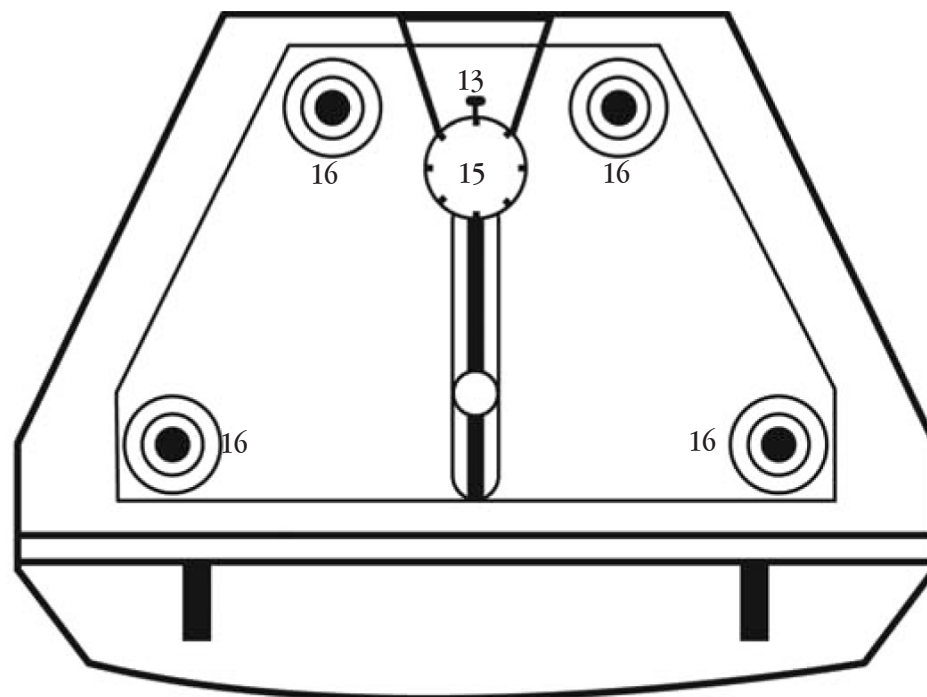
4. Sélection de la tension d'alimentation  
5. Entrée ligne XLR  
6. Entrée ligne RCA  
7. Entrée micro XLR

8. Sortie ligne XLR  
9. Volume micro  
10. Volume amplificateur  
11. LED témoin d'alimentation  
12. Clip LED

Dessus



Bas



- 13. Vis de serrage
- 14. Points d'accroche
- 15. Embase pour pied d'enceinte
- 16. Pied caoutchouc
- 17. Empreinte de calage

## ENCEINTES ABS MOULEES GX-100/150

### INTRODUCTION:

Félicitations pour votre achat d'une enceinte Gemini de la Série GX. **La gamme d'enceintes GX, développée par nos ingénieurs, bénéficie d'une fabrication robuste en ABS, ainsi que des dernières avancées technologiques. Disponible en 4 modèles 8", 10", 12" & 15"**, passives ou amplifiées, elle constitue une solution polyvalente en complément des gammes existantes. Les modèles GX-100 & GX-150 bénéficient d'une garantie de 1 ans et vous assureront des années de fonctionnement en toute fiabilité.\*

### CARACTERISTIQUES:

#### Enceinte Professionnelle Amplifiée 8" ABS 2 Voies GX-150

- Boomer 8" (20cm) avec châssis moulé en aluminium & bobine haute température
- Compression 1.25" avec membrane titanium
- Fabrication robuste en ABS & grille pleine de protection
- Puissance 100w RMS, 250w PGM
- Bande passante: 65 Hz - 20 KHz
- LEDs d'alimentation & de surcharge (Clip)
- Entrée mico sur XLR avec réglage de volume
- Entrée ligne sur XLR & RCA
- Sortie ligne sur XLR (Liaison avec d'autres enceintes)
- Volume général
- Embase pour pied d'enceinte & points d'accroche
- Pieds en caoutchouc & possibilité d'empiler l'enceinte
- Livrée avec 2 anneaux d'accroche

#### Enceinte Professionnelle Passive 8" ABS 2 Voies GX-100

- Boomer 8" (20cm) avec châssis moulé en aluminium & bobine haute température
- Compression 1.25" avec membrane titanium
- Fabrication robuste en ABS & grille pleine de protection
- Puissance 100w RMS, 250w PGM
- Bande passante: 65 Hz - 20 KHz
- 2 connecteurs Speakon (in/out)
- Embase pour pied d'enceinte & points d'accroche
- Pieds en caoutchouc & possibilité d'empiler l'enceinte
- Livrée avec 2 anneaux d'accroche

### MISES EN GARDE:

1. Nous vous recommandons de lire l'ensemble des instructions avant toute utilisation de l'appareil.
2. Afin d'éliminer tout risque d'électrocution nous vous recommandons de ne pas démonter l'appareil. Il n'y a pas de pièce détachée **REPLACABLE PAR L'UTILISATEUR** dans l'appareil. En cas de problème veuillez contacter votre revendeur. USA: Si vous rencontrez un problème, appelez le Service Technique de Gemini au 1 (732) 738-9003. Ne renvoyez pas l'appareil à votre revendeur.

3. Ne pas exposer l'appareil à la lumière directe du soleil et à toute source de chaleur telle qu'un radiateur.

4. Cet appareil doit être nettoyé à l'aide d'un chiffon légèrement humide. Ne pas utiliser de détergents.

5. Lorsque vous déplacez l'appareil, veillez à le remettre dans son emballage d'origine. Ceci afin d'éviter tout risque de dommage durant le transport.

6. **NE PAS EXPOSER L'APPAREIL A LA PLUIE & A L'HUMIDITE.**

7. **NE PAS UTILISER DE VAPORISATEUR ET DE LUBRIFIANT SUR LES BOUTONS & INTERRUPTEURS DE CONTROLE.**

### SELECTION DE LA TENSION D'ALIMENTATION (GX-150 seulement):

L'enceinte GEMINI GX-150 est commutable en 115V ou 230V (France) afin d'utiliser l'appareil partout dans le monde. Avant toute utilisation, veuillez sélectionner la tension d'alimentation en vigueur dans votre pays:

1. Placez un tournevis au centre du **COMMUTEUR DE TENSION (4)** situé à l'arrière de l'appareil.
2. Faites le glisser sur 115V ou 230V (France).
3. Ne forcez pas au risque d'endommager le commutateur. Si ce dernier ne peut être positionné correctement, contactez votre revendeur.

### CONNEXIONS:

1. Assurez vous que l'**ENSEMBLE** de vos appareils soient hors tension (**OFF**) & diminuez **TOUS LES REGLAGES DE VOLUME & DE GAIN** avant d'effectuer toute connexion.

1. Pour l'enceinte passive GX-100 utilisez un **CABLE SPEAKON** afin de relier la **SORTIE HP DE L'AMPLIFICATEUR** à l'**EMBASE SPEAKON (1)** située à l'arrière de l'enceinte.

2. Pour l'enceinte passive GX-100, vous pouvez relier plusieurs enceintes par l'intermédiaire de cordon(s) Speakon/Speakon. Attention, vérifier la compatibilité de votre amplificateur en termes de puissance et d'impédance de sortie. Le fait de relier plusieurs enceintes modifie l'impédance de fonctionnement de toutes les enceintes connectées ensemble.

3. Pour l'enceinte active GX-150, l'amplificateur est situé à l'arrière de l'appareil. Vous pouvez ainsi y brancher directement un Micro à l'entrée **XLR MIC INPUT (7)**, ou un signal symétrique à l'entrée **XLR LINE INPUT (5)**. Vous pouvez aussi relier une source de niveau Ligne à l'entrée **RCA LINE INPUT (6)**

4. Pour l'enceinte active GX-150, vous pouvez les relier ensemble par l'intermédiaire d'un cordon XLR/XLR. Branchez votre cordon sur la sortie **XLR LINE OUTPUT (8)** d'une enceinte et connectez vous à l'entrée **XLR LINE INPUT (5)** d'une autre enceinte. Chaque enceinte étant amplifiée l'opération peut être répétée autant de fois que nécessaire.

### UTILISATION:

#### GX-100:

1. Allumez votre **CONSOLE DE MIXAGE** ou tout autre source.
2. Allumez votre **AMPLIFICATEUR** et augmentez les réglages de **VOLUME** ou de **GAIN** en respectant les consignes d'utilisation de l'**AMPLIFICATEUR**.
3. Démarrez la lecture d'un programme audio et ajustez les réglages afin d'affiner le niveau d'écoute.

#### GX-150:

1. Allumez votre source (Ou branchez un Micro), puis mettez l'interrupteur

teur **POWER SWITCH (3)** en position '**ON**', la **LED POWER (11)** s'allumera. Démarrez la lecture d'un programme audio et ajustez le volume d'écoute à un niveau raisonnable.

2. Utilisez le potentiomètre **AMPLIFIER VOLUME CONTROL (10)** afin de régler le volume de l'enceinte. Si le niveau devient trop élevé, la **LED CLIP (12)** rouge s'allumera. Si cette dernière s'allume fréquemment ou reste allumée, diminuez le volume avec le potentiomètre **AMPLIFIER VOLUME CONTROL (10)** ou diminuez le volume de la source afin de ne pas endommager l'enceinte et l'amplificateur intégré.

3. Le niveau du micro se règle par le potentiomètre **MIC VOLUME CONTROL (9)**.

**NOTE: IL EST POSSIBLE DE MONTER LES ENCEINTES DE LA SERIE GX SUR UN PIED D'ENCEINTE EN UTILISANT L'EMBASE STAND MOUNTING SOCKET (15) ET EN VEROUILLANT L'ENCEINTE PAR LA VIS LOCKING PIN (13). VOUS POUVEZ AUSSI INSTALLER L'ENCEINTE EN LA SUSPENDANT GRACE AUX POINTS D'ACCROCHE SPEAKER RIGGING POINTS (14). LES PIEDS D'ENCEINTE SONT VENDUS SEPARÉMENT. LES PIEDS EN CAOUTCHOUC RUBBER FEET (16) PERMETTENT D'EMPIILER EN TOUTE SÉCURITÉ LES ENCEINTES LES UNES SUR LES AUTRES GRACE AUX STACKING GROOVES (17) SITUÉS EN HAUT DE CHAQUE ENCEINTE.**

### CARACTERISTIQUES:

	<b>GX-100</b>	<b>GX-150</b>
Poids de l'aimant du boomer:	1.160Kg	1.160Kg
Diamètre bobine boomer:	49.5 mm	49.5 mm
Impédance boomer:	8 Ohms	4 Ohms
Puissance boomer RMS:	100 Watts	100 Watts
Puissance boomer crête:	250 Watts	250 Watts
Poids de l'aimant de la compression:	0.650Kg.	0.650Kg.
Diamètre membrane compression:	32 mm	32 mm
Puissance compression RMS:	60 Watts	60 Watts
Puissance compression crête:	120 Watts	120 Watts
Coupeur filtre:	3Khz, 12dB/Oct.	3Khz, 12dB/Oct
Directivité pavillon:	40° X 90°	40° X 90°
Sensibilité:	97 dB/m/w	97 dB/m/w
Bande passante:	65-20 Khz	65-20 Khz
Type amplificateur:	N/A	MONO
Embase pied d'enceinte:	25 mm	25 mm
Poids enceinte:	8 lbs (3.7 kg)	11 lbs (4.9 kg)
Poids enceinte (Emballée):	10 lbs (4.7 kg)	13 lbs (5.9 kg)
Alimentation:	N/A	110/230VAC/60~50Hz
Dimensions:	405x223x293/217mm (16x8.5x11.5/8.5in)	

Dans le cadre d'un souci constant d'amélioration, les produits peuvent être modifiés sans préavis.

\* Les modalités établies concernant la garantie n'affectent pas les garanties en vigueur localement.

## WARRANTY AND REPAIR:

All Gemini products are designed and manufactured to the highest standards in the industry. With proper care and maintenance, your product will provide years of reliable service.

### LIMITED WARRANTY

A. Gemini warrants its products to be free from defects in materials and workmanship for **One (1) year** from the original purchase date.

**Exceptions: Laser assemblies on CD Players, cartridges, and crossfaders are covered for 90 days.**

B. This limited warranty does **not** cover damage or failure caused by abuse, misuse, abnormal use, faulty installation, improper maintenance or any repairs other than those provided by an authorized Gemini Service Center.

C. There are no obligations of liability on the part of Gemini for consequential damages arising out of or in connection with the use or performance of the product or other indirect damages with respect to loss of property, revenues, of profit, or costs of removal, installation, or reinstallation. All implied warranties for Gemini, including implied warranties for fitness, are limited in duration to **One (1) year** from the original date of purchase, **unless otherwise mandated by local statutes.**

### RETURN/REPAIR

A. In the U.S.A., please call our helpful Customer Service Representatives at (732)738-9003, and they will be happy to give you a **Return Authorization Number (RA#)** and the address of an authorized service center closest to you.

B. After receiving an **RA#**, include a **copy** of the **original sales receipt**, with defective product and a description of the defect. Send by insured freight to: Gemini Sound Products Corp, and use the address provided by your customer service representative. **Your RA# must be written on the outside of the package, or processing will be delayed indefinitely!**

C. Service covered under warranty will be paid for by Gemini and returned to you. For non-warranted products, Gemini will repair your unit after payment is received. Repair charges do not include return freight. Freight charges will be added to the repair charges.

D. On warranty service, **you pay for shipping to Gemini, we pay for return shipping within the Continental United States.** Alaska, Hawaii, Puerto Rico, Canada, Bahamas, and the Virgin Islands **will be charged for freight.**

E. Please allow **2-4 weeks** for return of your product. Under normal circumstances your product will spend no more than **10 working days** at Gemini. We are not responsible for shipping times.

Save postage and register your product online at [www.geminidj.com](http://www.geminidj.com) and automatically be registered for great prize giveaways!

*If you do not have internet access, fill out the form below and mail to the appropriate address listed at the right side of this page.*

First Name:	Initial:	Last Name:
_____	_____	_____
Address: (Number and Street)		Apt #:
_____		_____
City:	State:	Province:
_____	_____ or _____	_____
Country:	Zip Code:	Postal Code:
_____	_____ or _____	_____
E-mail Address: _____		
Phone #:	Age:	Date of Birth
_____	_____	Month Day Year
Date of Purchase:	Purchase Price:	
Month Day Year	\$ _____ .00	(EXCLUDING TAX)
Dealer: _____		
City: _____		
Model Number: (Example: CDT-05)	Serial Number: (Located on back of most units)	
_____	_____	

Cut along this line & keep the rest of this page for your records.

<b>For your records</b>	
Date of Purchase:	Serial Number: (Located on back of most units)
Month Day Year	_____
Model Number: (Example: CDT-05)	
_____	

### IN FRANCE

En cas de panne, merci de contacter votre revendeur. Tout appareil en panne doit y être retourné, accompagné de sa facture d'achat, de son emballage d'origine et d'un descriptif de panne. L'appareil sera ensuite expédié au SAV de GSL France. Tout produit reçu sans facture sera réparé hors garantie. GSL France ré-expédiera l'appareil au revendeur après intervention.

### IN GERMANY

Die allgemeinen gesetzlichen Gewährleistungen bleiben von den Herstellergarantien unberührt. Der Garantieanspruch erlischt bei Eingriffen durch den Käufer oder durch Dritte sowie bei unsachgemässer Behandlung. Gewährleistungsansprüche sind ausschließlich gegenüber Ihrem Fachhändler geltend zu machen.

### IN THE UNITED KINGDOM

In the event that you need service on your Gemini product under warranty, simply write a letter describing the problem, along with your contact information. Make sure to enclose a copy of your receipt for proof of warranty information. A return number is not required. You will be responsible for shipping charges to Gemini UK, and Gemini UK will pay to return the unit to you if it is considered under warranty.

### IN SPAIN

En caso de mal funcionamiento de esta unidad, por favor contacte con el Servicio de Atención al Cliente en el teléfono 93 436 37 00 que le asesorará sobre el procedimiento correcto para solucionarlo. En caso de ser necesario enviar la unidad para su reparación, el Servicio de Atención al Cliente le proveerá de un número de incidencia, así como de la dirección del Servicio de Asistencia Técnica más cercano a su residencia.

**gemini**<sup>®</sup>  
GEMINIDJ.COM

### USA

GEMINI SOUND PRODUCTS  
Worldwide Headquarters  
120 Clover Place  
Edison, NJ 08837 USA

Tel: (732) 738-9003  
Fax: (732) 738-9006

### FRANCE

GEMINI FRANCE (GSL)  
1, Allée d'Effiat,  
Parc de l'événement, 91160  
Longjumeau, France

Tél: + 33 1 69 79 97 70  
Fax: + 33 1 69 79 97 80

### GERMANY

GEMINI SOUND PRODUCTS GMBH  
Liebigstr. 16,  
Haus B - 3. OG,  
85757 Karlsfeld  
Germany  
Tel: 08131 - 39171 - 0  
Fax: 08131 - 39171 - 8

### UK

GEMINI SOUND PRODUCTS  
Unit C4  
Hazleton Industrial Estate, PO8 9JU  
Waterloo, UK

Tel: 087 087 00880  
Fax: 087 087 00990

### SPAIN

GEMINI SOUND PRODUCTS S.A.  
Rosello, 516,  
08026 Barcelona, Spain

Tel: 3493-436 37 00  
Fax: 3493-347-6961