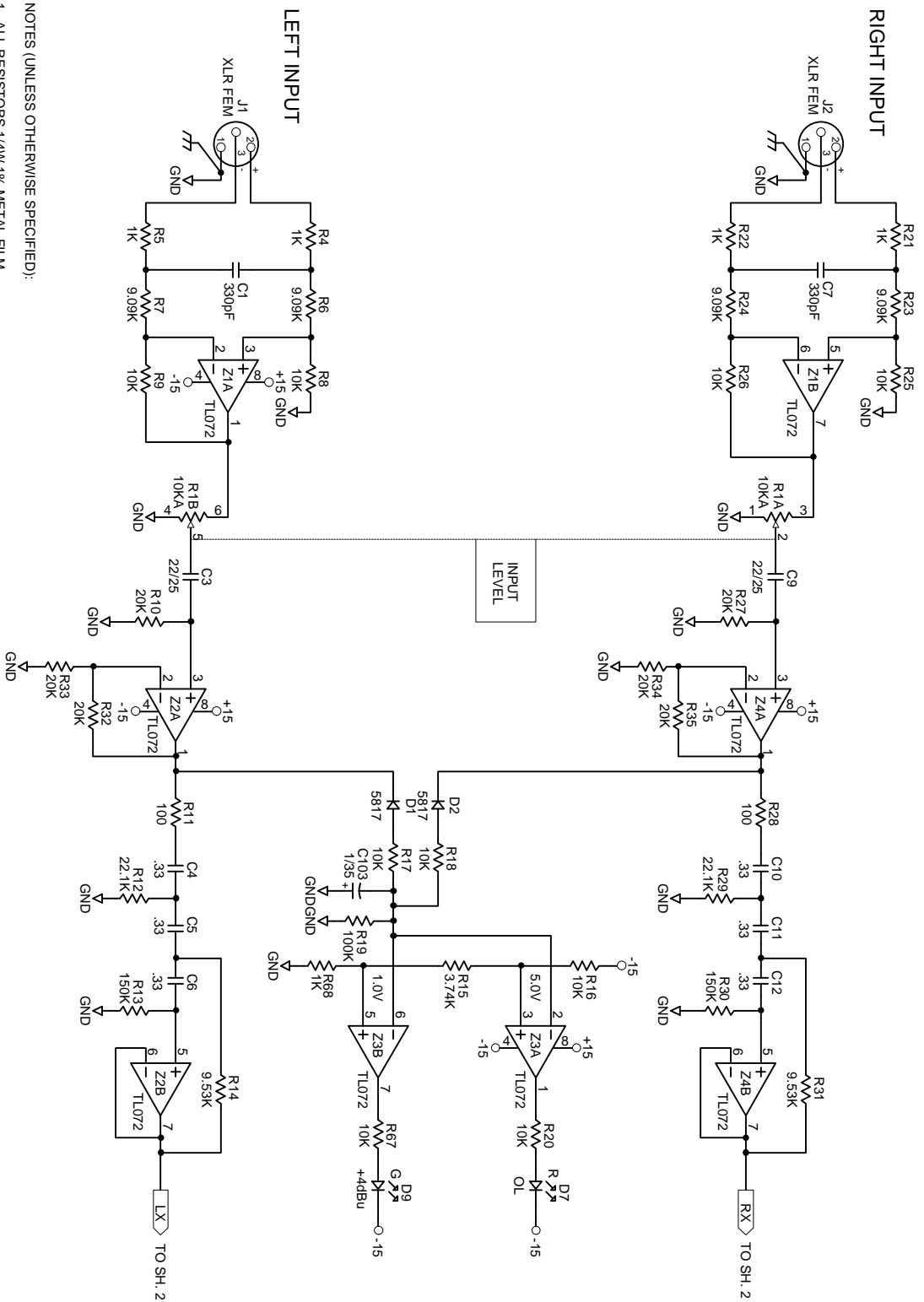


Rane Corp. (425)355-6000
 DOC# & DES: BOARD TITLE, PRODUCT NAME
 ACTION: WHAT, WHO, WHEN?



NOTES (UNLESS OTHERWISE SPECIFIED):

1. ALL RESISTORS 1/4W, 1% METAL FILM
2. ALL SWITCHES SHOWN IN THEIR 'OUT' OR 'OFF' POSITION

LOW CROSSOVER 100459-2-SCH
 MID/HIGH CROSSOVER 100459-3-SCH
 LOW/SUB OUTPUTS 100459-4-SCH
 MID/HIGH OUTPUTS/POWER 100459-5-SCH

ACTION: NO CHANGE TO PART
 NEW DOC# FJ 16LAN98
 SCHEM: INPUTS MX 23

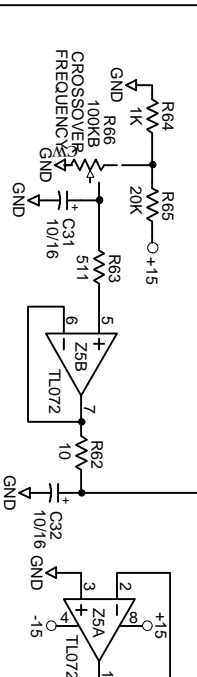
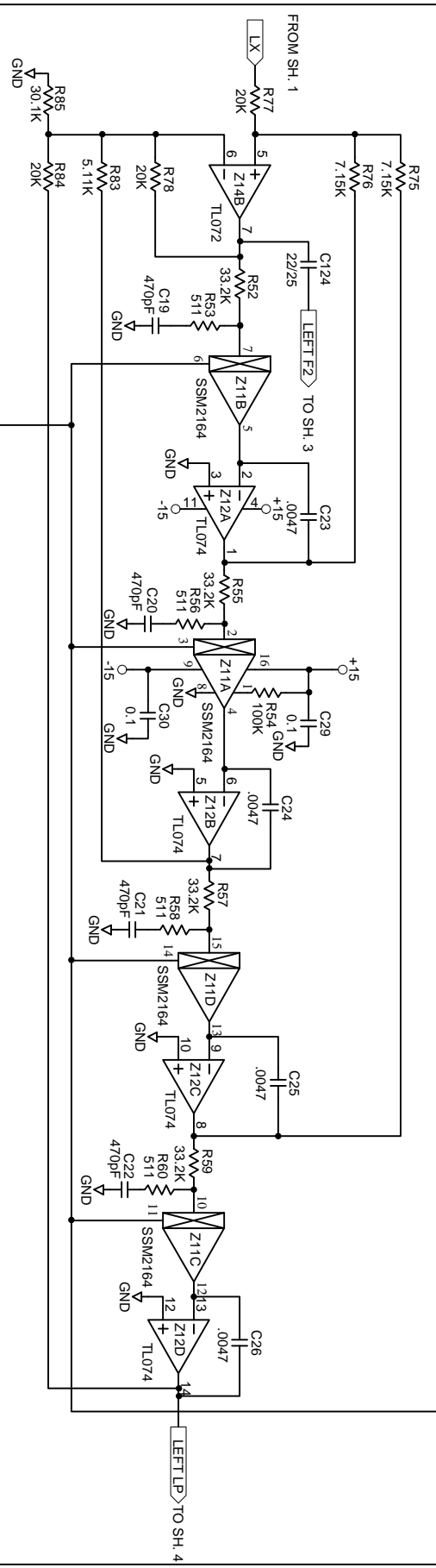
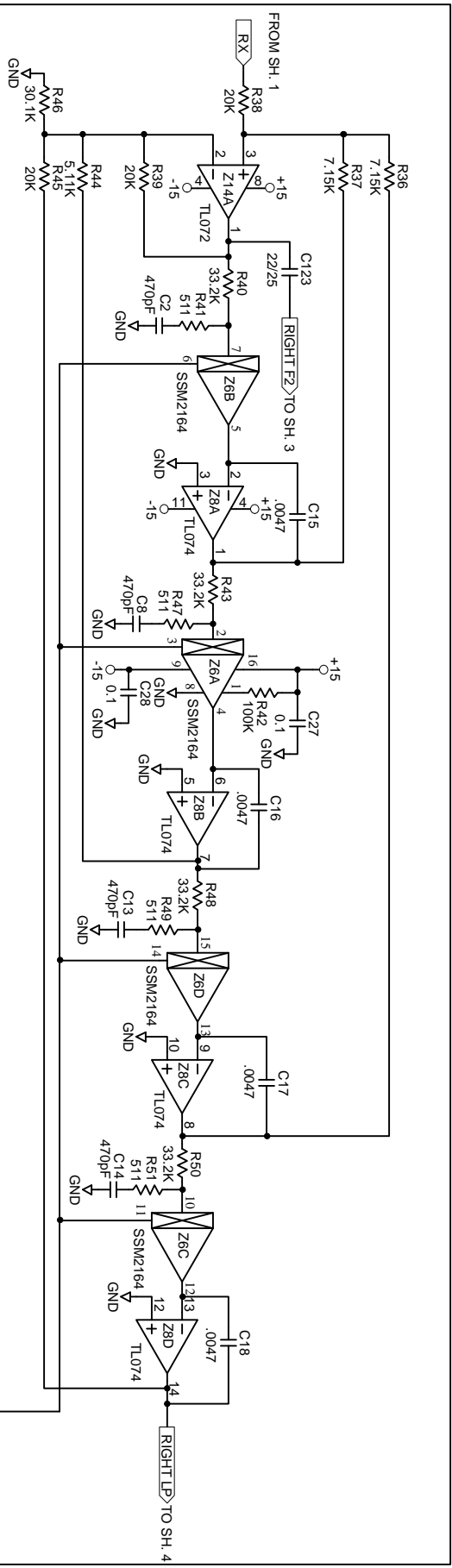
DRAWN BY: S HEADRECK
 CHECKED BY: R JEFFS



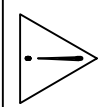
10802 47th Avenue West
 Mukwonago, WI 53091

SHEET: 1 of 5

100459



VOLTAGE RANGE = 7V -> 20V
 FREQUENCY RANGE = 80 Hz -> 1 kHz



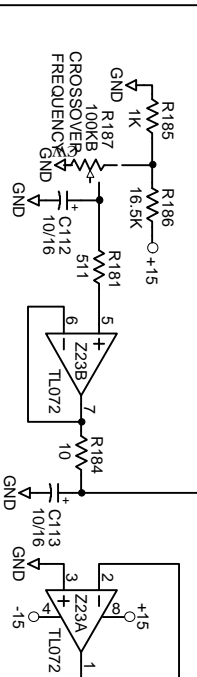
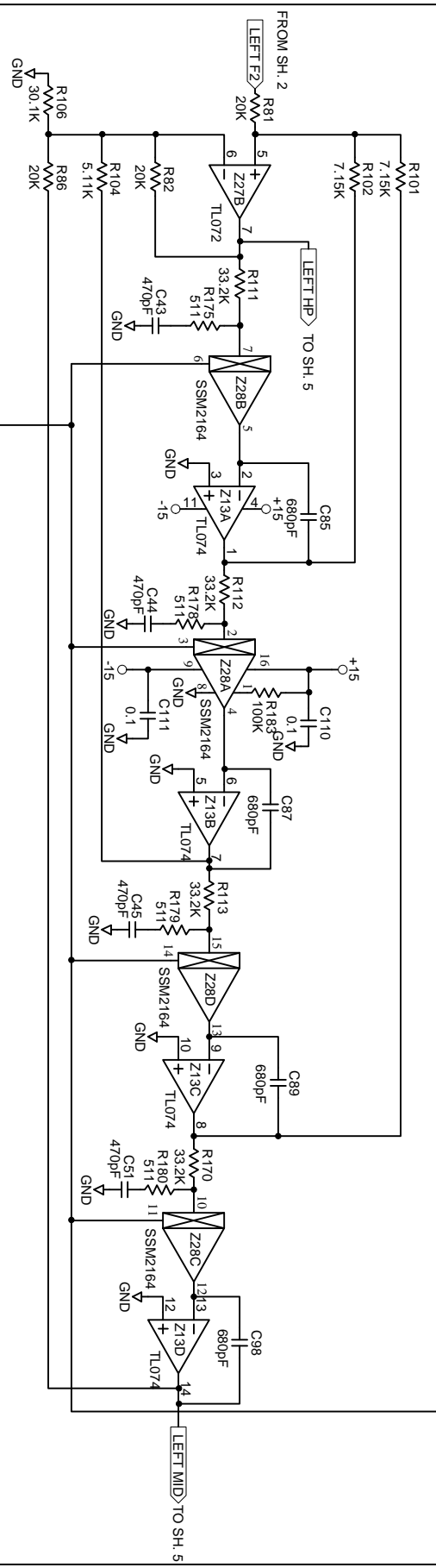
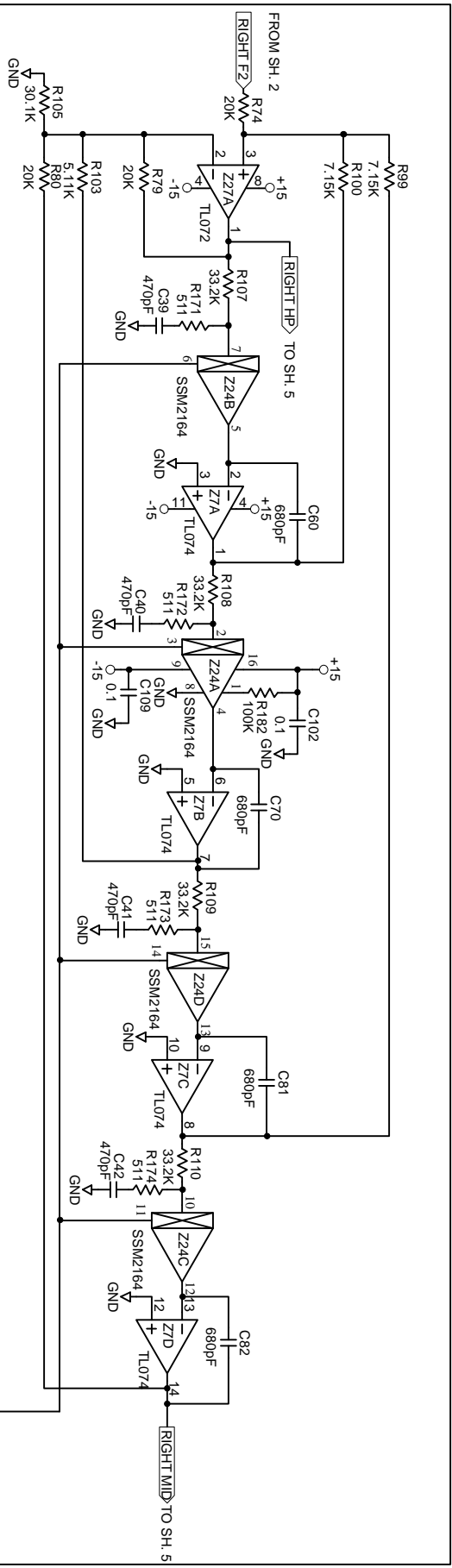
ACTION: NO CHANGE TO PART.
 NEW DOC# E116AN98

DRAWN BY: S HEADRICK
 CHECKED BY: R JEFFS

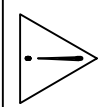


SCHEM: LOW XOVER MX 23

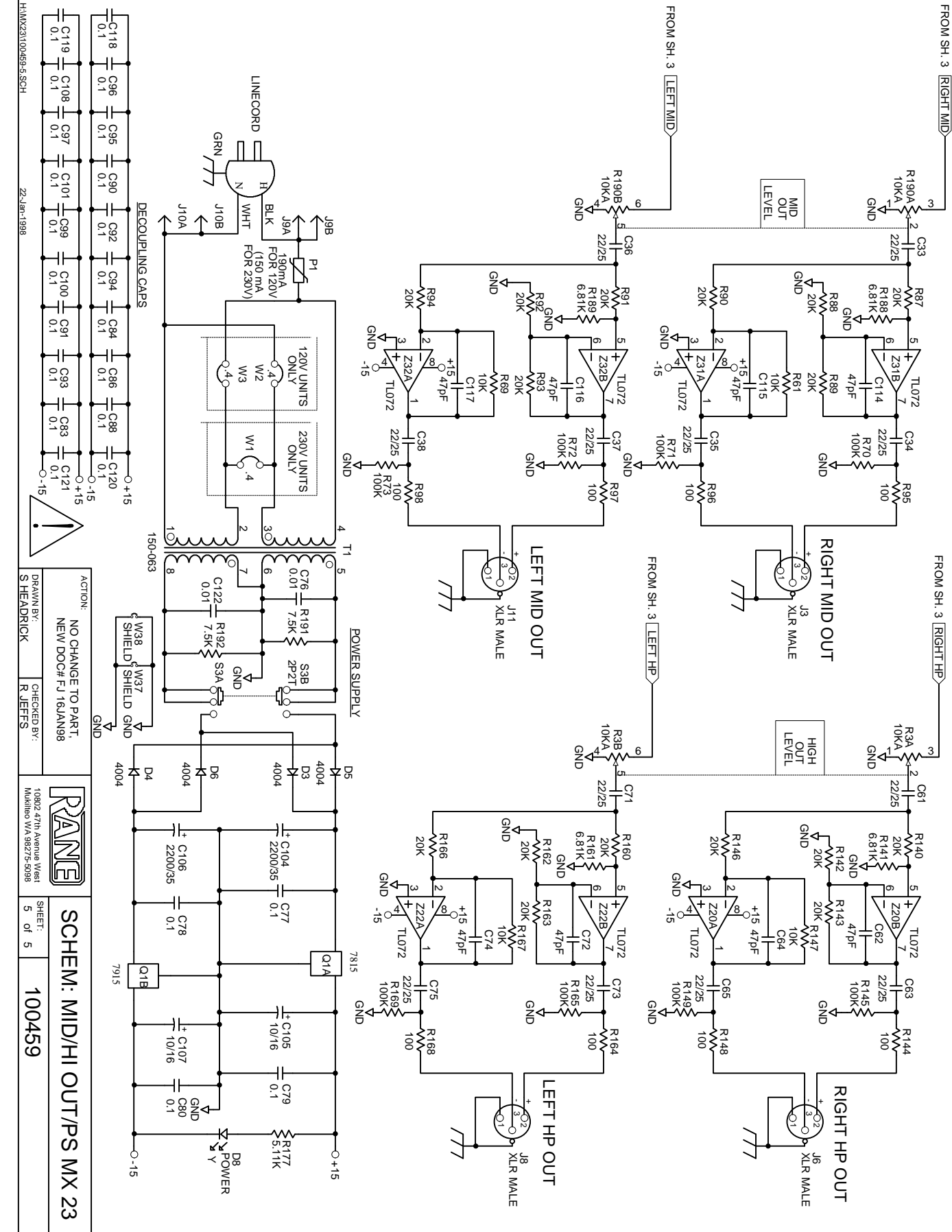
SHEET: 2 of 5
 100459



VOLTAGE RANGE = .83V -> 0V
 FREQUENCY RANGE = 350 Hz -> 7 kHz



ACTION:		NO CHANGE TO PART.		 10802 47th Avenue West Mukwonago, WI 53091	SHEET: 3 of 5	100459
DRAWN BY:		NEW DOC# E116/AN98				
CHECKED BY:		R. JEFFS				
DRAWN BY:		S. HEADRICK				
SCHEM: MID/HIGH XOVR MX 23						



ACTION: NO CHANGE TO PART.
 NEW DOC# FJ 16AN98
 DRAWN BY: S HEADRICK
 CHECKED BY: R JEFFS
 10802 47th Avenue West
 Tukwila WA 98148-5098
SCHEM: MID/Hi OUT/PS MX 23
 SHEET: 5 of 5
100459