

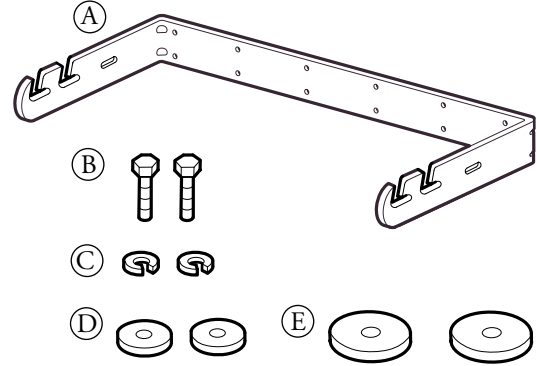


Installation Instructions MK2000/5000 Bracket Kit

1. Inventory

Before beginning installation, inventory the MK2000 & MK5000 Bracket Kit, P/N0007869 to items listed.

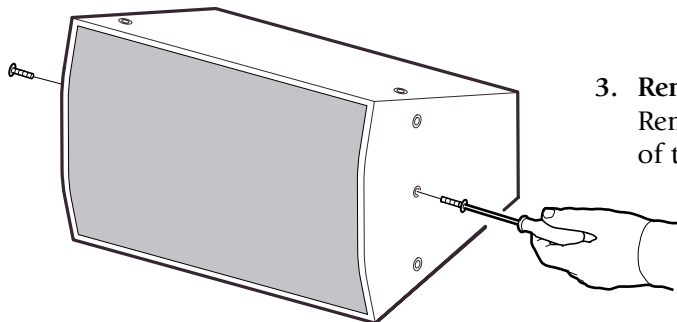
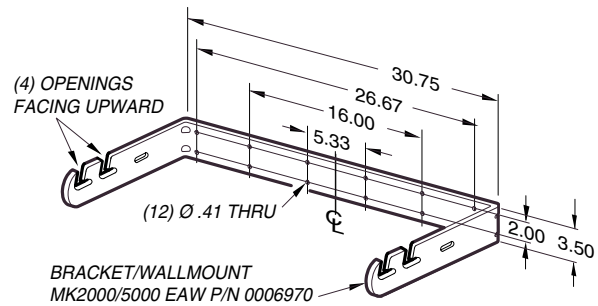
Item	EAW P/N	Qty	Description
A	0006970	1	Bracket/MK2000/5000
B	102134	2	Screw, 3/8-16 x 1-1/2 Lg HHMS, Black
C	105011	2	3/8 Washer, Lock, Black
D	105069	2	Washer, Flat, .40 I.D. x 2.00 O.D., 18-8, Black.
E	105068	2	Grommet, Rubber, 0.38 I.D x 2.75 O.D. x .25 Thick.
F	0007873	1	Installation Instructions MK2000 & MK5000 Bracket Kit (this sheet)



Warning: Installation should only be done by an experienced technician. Improper installation may cause serious injury. The surface where the bracket/cabinet is to be fastened must have enough structural integrity to support 500 pounds.

2. Mounting the Bracket

Due to various construction methods and materials used today, the hardware for securing the bracket to the mounting surface is not supplied. It is recommended that you consult a building professional for the proper mounting hardware before mounting the bracket. Make sure the four openings in the bracket arms face upward.

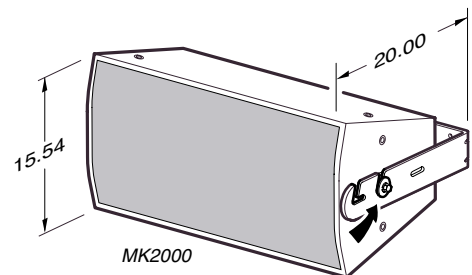
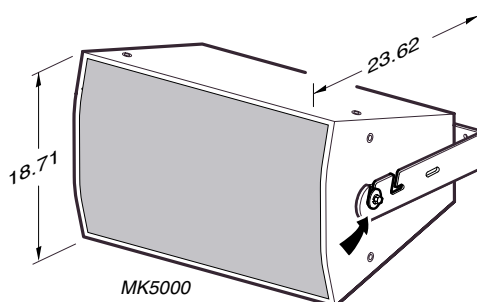


3. Removing the Shipping Hardware

Remove a flat head screw from each end of the cabinet using a 5/32 Allen wrench.

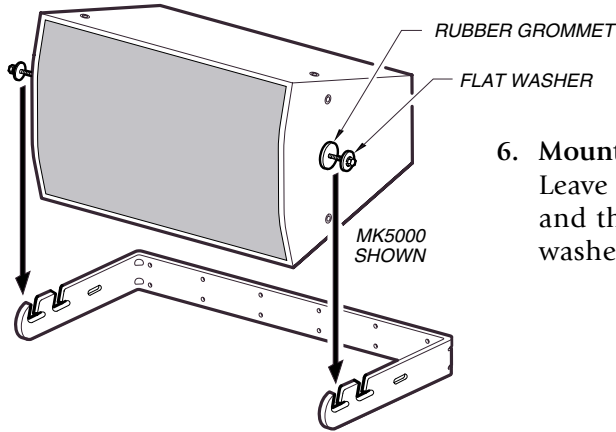
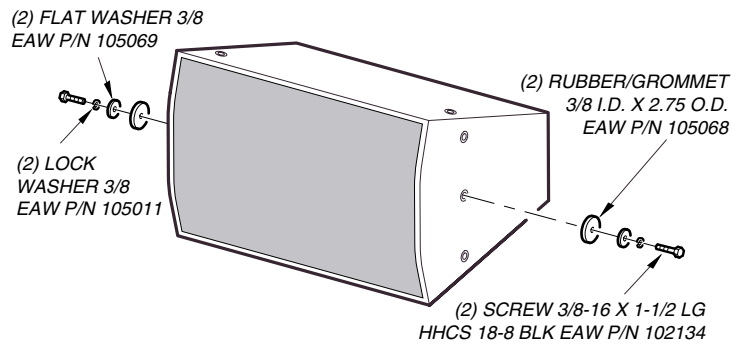
4. Choosing which Slot to Use

There are three slots in each bracket arm. Use the forward slot for the MK5000 Series cabinet and the second slot for a MK2000 Series cabinet. The third slot is to be used when the mounted cabinets side is parallel to the wall.



5. Attaching the Cabinet Mounting Hardware:

Onto each of the two screws, place a lock washer, a flat washer and a rubber grommet. Thread these screws and related hardware three complete turns into each of the cabinets side mounting holes.

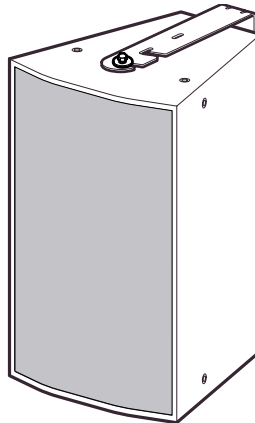


6. Mounting the Cabinet to the Bracket

Leave as large a space as possible between the rubber grommet and the flat washer. Place the cabinet with the grommets and washers to either side of the bracket as shown and tighten.

7. Mounting the Bracket/Cabinet Vertically

The bracket and cabinet may be mounted vertically.



8. Positioning the Angle of the Cabinet:

The cabinet may be adjusted to any angle by loosening the hex head screw and re-tightening to desired position.

If you have questions about the MK 2000 & 5000 Bracket installation please contact the EAW Application Support Group:

Tel 800-992-5013 (USA only)

Tel 508-234-6158

Fax 508-234-8251

E-mail asg@eaw.com

**Thank you for purchasing
EAW products**

The Laws of Physics | The Art of Listening

