

## APPLICATION

- For small to large cinemas
- Passive 2-way surround channel loudspeaker
- THX® approved

## PRODUCT INFORMATION

The CR72i two-way, passive, full range cinema surround loudspeaker system is engineered to reproduce today's full bandwidth digital surround tracks in smaller cinemas. It features an 8-in woofer and a 1-in dome tweeter mounted in a slanted baffle.

This system is approved by the THX® division of Lucasfilm, Ltd., for use in THX® certified theaters.

The CR72i is specifically engineered to cover a larger seating area with higher quality, higher output sound than traditional cinema surrounds.

The passive crossover/filter network included in the CR72i goes beyond merely dividing the signal and actually performs critical equalization functions. This means it will provide more detailed, natural reproduction of any sonic event occurring in the 360° aural arena. The crossover/filter network tailors HF response to match the SMPTE/ISO 2969 response curve.

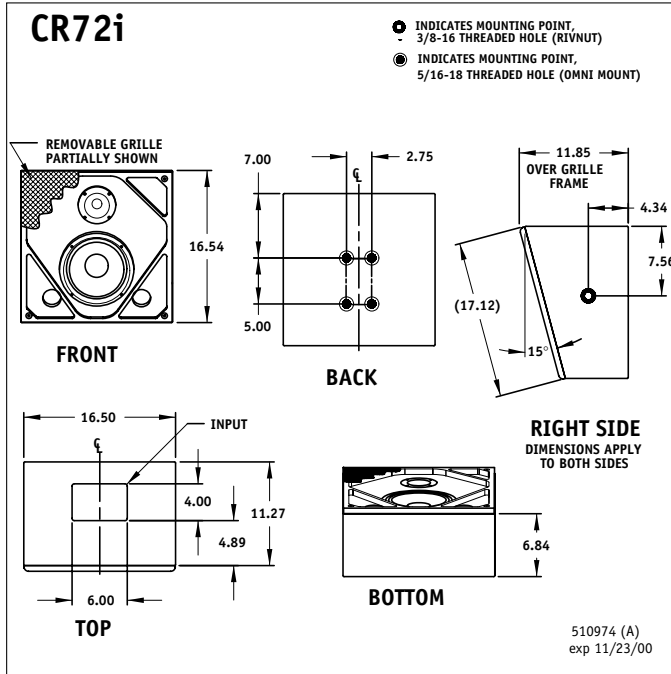
The front baffle is angled down 15° to accommodate overhead mounting. The optimally vented enclosure increases LF response while limiting driver excursion. This method produces less distortion and minimizes driver strain while extending LF response to the lowest octaves.

The input connector - a 2-terminal barrier strip that accommodates bare wire, tinned leads or spade lugs - is located on top of the enclosure. For safety, the cloth grille is attached with multiple threaded fasteners.



## DESCRIPTIVE DATA

Part Number	997	
LF Subsystem & Loading	1x8-in cone, vented	
HF Subsystem & Loading	1x1-in soft dome tweeter	
Configuration	2-way, full range	
Powering Mode	Passive	
Recommended High-Pass Frequency (24 dB/Octave)	50 Hz	
Cabinet Type (shape)	Rectangular, slant baffle	
Enclosure Materials	Medium Density Fiberboard	
Finish	Textured black	
Connectors	2 terminal barrier strip	
Suspension Hardware	(2) 3/8"-16 threaded points (1 per side) plus (4) 1/4"-20 threaded inserts on back to accept Omnimount Series 100 or APC MM024	
Grille	black cloth on plastic frame	
Dimensions	inches	millimeters
Height	16.09	409
Width	16.50	419
Depth (Top)	12.12	308
Depth (Bottom)	6.26	159
Weights	pounds	kilograms
Net Weight (approx)	26	11.8
Shipping Weight (approx)	33	15.0



## COMPONENTS & CONSTRUCTION continued

All external components feature a textured, non-reflective, black finish.

## NOMINAL DATA

### Frequency Response

+3 dB	SMPTE/ISO 2969 "X" curve
	66 Hz - 19 kHz
-10 dB	45 Hz

### Axial Sensitivity (dB SPL, 1 Watt @ 1m)

Full Range Passive	95
--------------------	----

### Impedance (Ohms)

Full Range Passive	8
--------------------	---

### Power Handling, AES Standard (Watts)

Full Range AES Standard	150
-------------------------	-----

### Calculated Maximum Output (dB SPL @ 1m)

Full Range Peak	122.8
Full Range Long Term	116.8

### Nominal Coverage Angle/-6 dB points (degrees)

Conical	110
---------	-----

## COMPONENTS & CONSTRUCTION

The CR72i two-way, passive, full range cinema surround loudspeaker system includes one 8-in cone transducer mounted in an optimally vented enclosure and one 1-in soft dome driver. The LF and HF sections are integrated with a complex, multicomponent passive crossover/filter network which tailors HF response to match the SMPTE/ISO 2969 response curve.

The enclosure is constructed of 3/4-in Medium Density Fiberboard (MDF). Extensive internal bracing is employed to minimize panel resonances resulting from the large acoustical energies generated within the enclosure while maximizing acoustical energy transfer into the audience area.

Input connectors, located on the top of the enclosure, are 2-terminal barrier strip, designed to accommodate bare wire, tinned leads or spade lugs. For safety, the black cloth grille is attached with multiple threaded fasteners.