



Quam

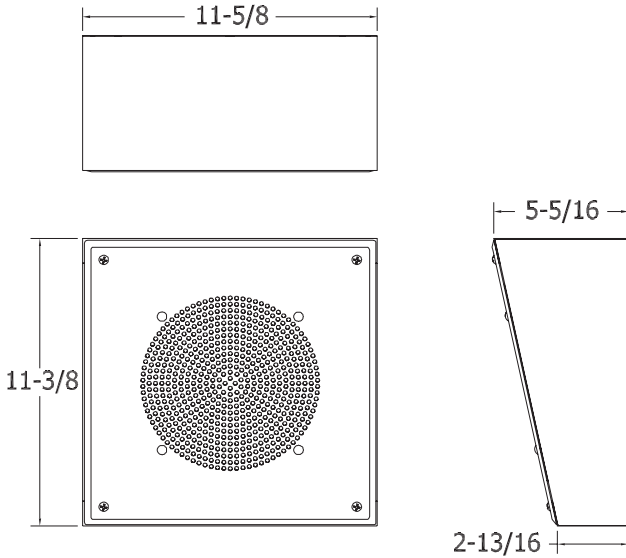
SYSTEM 3/VC Universal Masking Speaker, Wire Leads

SYSTEM 4/VC Universal Masking Speaker, Rotary Select

0102 - SURFACE MOUNTED SPEAKER SYSTEMS

01

LOUDSPEAKER ASSEMBLIES



GENERAL DESCRIPTION

The Quam SYSTEM 3/VC (white) and SYSTEM 4/VC (black) is a complete loudspeaker assembly, with 8" frame loudspeaker, 25 and 70.7V universal transformer (SYSTEM 3/VC - perforated steel baffle and SYSTEM 4/VC - charcoal gray cloth baffle) and slanted 22 gauge steel enclosure finished as below. Finish: White baked epoxy hybrid.

INTENDED USE

Vertical surface mount, downward firing, in an interior environment.
Program Material: Signal tones, voice and music

SYSTEM COMPONENTS

Loudspeaker	8C5PAX
Transformer	TBLU (5W - 25 and 70.7V, 5 taps at -3 dB levels)
Baffle	SE2W (SYSTEM 3/VC), SE2B (SYSTEM 4/VC) BS8W (SYSTEM 3/VC), BS8G (SYSTEM 4/VC)
Enclosure	MA / E6

RECOMMENDED ADDITIONAL QUAM COMPONENTS

Model VC - Continuous Potentiometer

AUDIO SPECIFICATIONS

Speaker Size	8" Frame
Average Sensitivity	96 dB SPL, 1W / 1M
Power Rating	5W RMS, EIA 426A Standard
Calculated Output	103 dB SPL, 5W / 1M
Frequency Response	65 Hz - 17 kHz, EIA 426A Standard
Nominal Coverage Angle	90° Included Angle, -6 dB / 2 kHz, Half Space
Audio Connection	7" Long Color-Coded Tinned Wires, Pre-cut

Recommended construction sequences, installation instructions and A&E Specifications are available in various formats on the Quam Architects' and Engineers' Resources CD or on the web at www.quamspeakers.com

Quam-Nichols Company

234 East Marquette Road, Chicago, IL 60637
Phone (800) NEED NOW Fax (888) NEED NOW
(800) 633-3669 (888) 633-3669
E-Mail: neednow@qnc.com www.quamspeakers.com

