

Four IFB

Multi-Line Phone Bridge



Product Overview

Four IFB is a four position analog telephone line interface designed specifically to provide flexible listen only IFB* for television field production use. Each IFB output, and the monitor input / output jacks, may be separately connected to one of the four analog phone lines through the use of rotary line selector switches. A telephone handset may also be connected for communication with the Monitor phone line.

Four IFB is designed to be used in a variety of environments and weather conditions. All controls and components are dust and moisture resistant. A non-removable hinged cover protects the unit's selector switches, add/drop buttons and keypad while the enclosure design protects the volume controls from physical damage.

**IFB is a broadcast industry acronym which stands for Interruptible Fold Back. The IFB signal is typically a Program Line (PL) signal from the studio console.*

JK Audio

Telephone Interface Products

815-786-2929

1-800-JK-Audio

www.jkaudio.com

Four IFB

Multi-Line Phone Bridge



With Four IFB you can reliably provide up to 4 individual IFB phone line connections. Rotary switches allow you to quickly and easily designate to which IFB output each phone line is connected while the Monitor send and receive XLR's (and/or handset jack) allow you constant communication with the Monitor phone line. Line State LED's provide phone line condition at a glance and each XLR connection has its own level control. A built in low noise AC power supply is the primary power source however the unit can also be operated with a single 9VDC battery.

Four IFB Control Panel

Individual IFB rotary line selector switches
 Monitor rotary line selector switch
 Add and Drop phone line switches
 DTMF keypad

Four IFB Front Panel

Individual level controls for IFB outputs, Monitor output and Send input
 Line State LED's for quick indication of phone line condition
 AC presence and Power LED's
 Power switch



Four IFB Rear Panel

AC power jack
 Line level XLR Send input
 Line level XLR Monitor output
 Four line level XLR IFB outputs



Four IFB Side Panel

RJ-22 Monitor handset jack
 Four RJ-11 phone line jacks



JK Audio

Telephone Interface Products

815-786-2929

1-800-JK-Audio

www.jkaudio.com

Four IFB

Multi-Line Phone Bridge

Specifications

Input:

Line: Balanced Female XLR
Line level, 20k ohms, +4dBu max

Outputs:

Line: 5 - Balanced Male XLR
Line level, 600 ohms, +4 dBu max

Handset: RJ-22 handset jack biased for electret handset (not included)

Phone Line: 4 - RJ11C

Isolation: 1500 VAC

Ringer: 0.5B REN

Frequency
Response: Telephone Side 200 Hz - 3600 Hz

Power: 120-240 VAC, 50-60 Hz
internal power supply

Auxiliary
Power: Single 9VDC battery

Size: 10" x 9.75" x 2"

Weight: 3.5 pounds

JK Audio

Telephone Interface Products

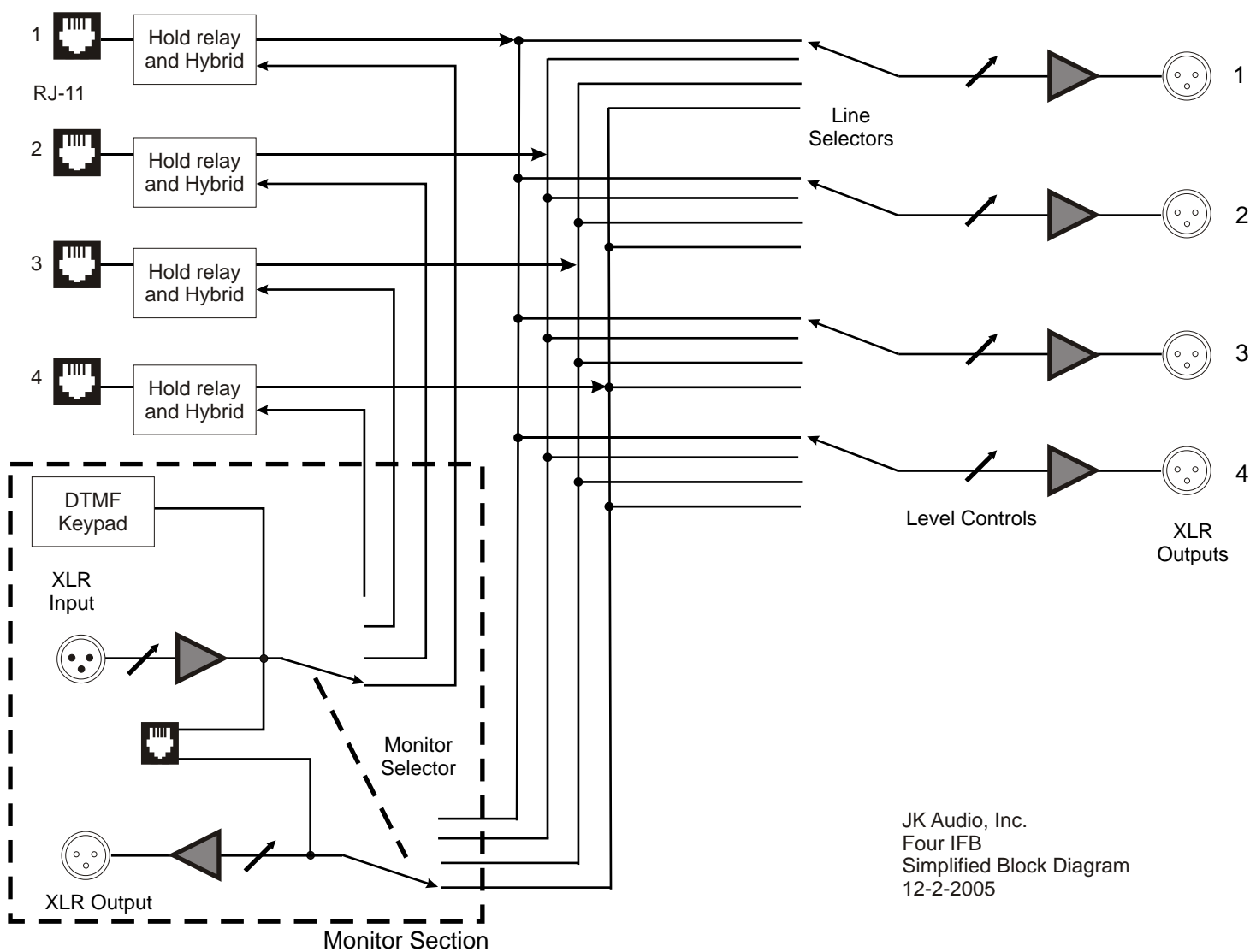
815-786-2929

1-800-JK-Audio

www.jkaudio.com

Four IFB

Multi-Line Phone Bridge



JK Audio

Telephone Interface Products

815-786-2929

1-800-JK-Audio

www.jkaudio.com