



# MTC-200BB6

## Backcan for Control 227C & CT Medium Format In-Ceiling Loudspeakers

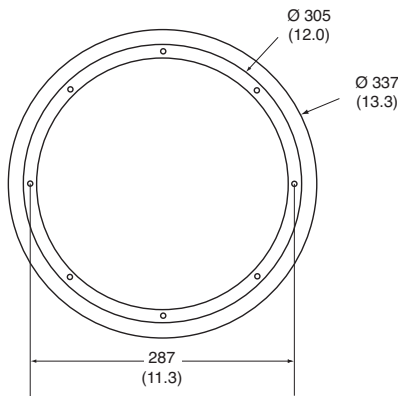
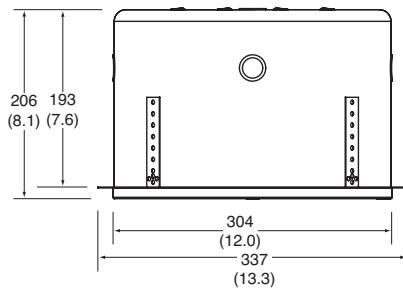
### Professional Series

### Key Features:

- ▶ Extra-thick 16 gauge metal construction.
- ▶ Lined with 12 mm (1/2 in) thick MDF to eliminate resonances and to provide extra bass response.
- ▶ Knockouts on top and side.



### Dimensions:



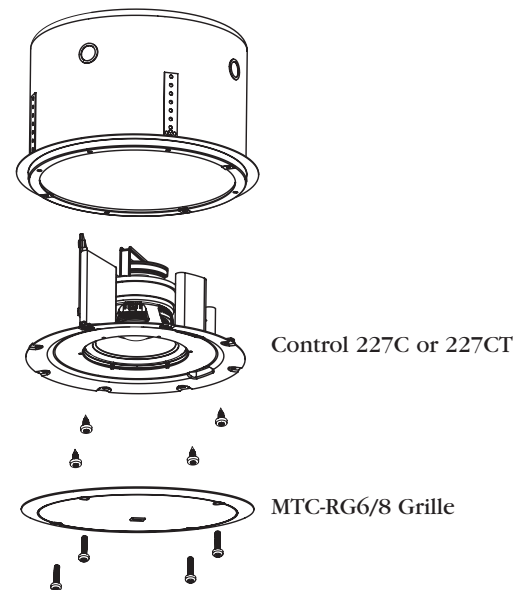
Dimensions in inches (mm)

### Specifications:

External Volume:	0.7 cu ft, nominal
Internal Volume:	0.5 cu ft.
Knockouts:	22.1 mm (0.87 in) diameter opening Five (5) locations: 1 on top panel 4 on side can
Dimensions (Height):	193 mm (7.62 in) above ceiling 206 mm (8.1 in) total height
(Diameter):	337 mm (13.3 in)
Net Weight:	3.0 kg (6.5 lb)
Shipping Weight:	4.0 kg (9 lb)
Included Accessories:	4 pcs #10 x 0.75 in metal screws for another system of mounting baffle to backbox.

JBL continually engages in research related to product improvement. Changes introduced into existing products without notice are an expression of that philosophy.

### System Assembly:



JBL Professional  
8500 Balboa Boulevard, P.O. Box 2200  
Northridge, California 91329 U.S.A.  
A Harman International Company  
© Copyright 2007 JBL Professional

SS MTC200BB6  
CRP\_5M  
01/07