

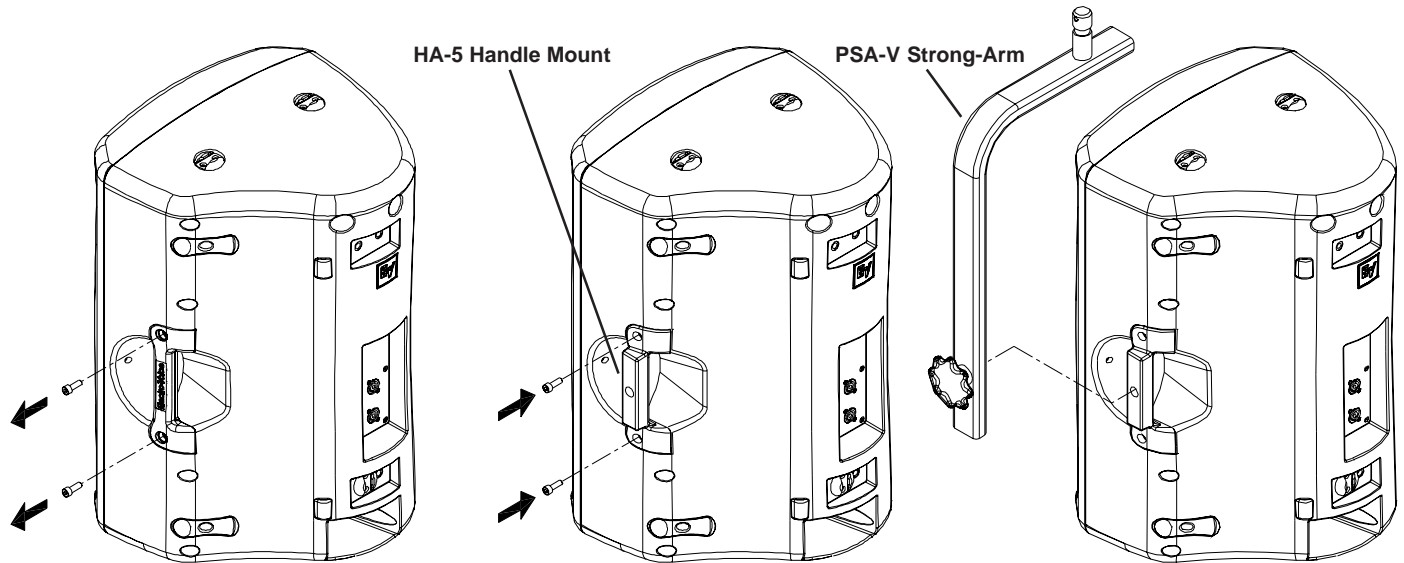
ZX4/ZX5

HA-5 Handle Mount Kit Installation Instructions



HA-5 Handle Mounting Kit

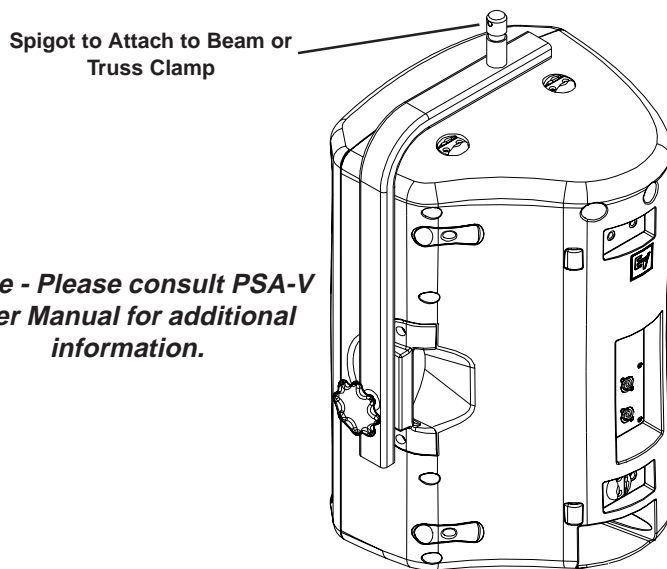
The HA-5 Handle Mounting Kit features a threaded attach point that allows for a Zx4 or Zx5 loudspeaker to be flown using a PSA-V Strong-Arm (Sold Separately) to obtain desired orientation and sound coverage.



Step 1: Remove Handle Bolts and Handle

Step 2: Attach HA-5 and Handle Bolts

Step 3: Attach PSA-V Strong-Arm Mount



Spigot to Attach to Beam or Truss Clamp

**Note - Please consult PSA-V User Manual for additional information.*

Fully Assembled with HA-5 Handle Mount and PSA-V Strong-Arm



WARNING: Suspending any object is potentially dangerous and should only be attempted by individuals who have a thorough knowledge of the techniques and regulations of rigging objects overhead. Electro-Voice® strongly recommends that Zx4 and Zx5 speakers be suspended taking into account all current national, federal, state and local regulations. It is the responsibility of the installer to ensure that Zx4 and Zx5 speakers are safely installed in accordance with all such regulations. If Zx4 or Zx5 speakers are suspended, Electro-Voice® strongly recommends that the system be inspected at least once a year. If any sign of weakness or damage is detected, remedial action should be taken immediately.

EV Electro-Voice®

12000 Portland Avenue South, Burnsville, MN 55337
Phone: 952/884-4051, Fax: 952/884-0043

www.electrovoice.com

© Telex Communications, Inc. 2/2005
Part Number 38110-441 Rev A

U.S.A. and Canada only. For customer orders, contact Customer Service at:
800/392-3497 Fax: 800/955-6831

Europe, Africa, and Middle East only. For customer orders, contact Customer Service at:
+ 49 9421-706 0 Fax: + 49 9421-706 265

Other International locations. For customer orders, contact Customer Service at:
+ 1 952 884-4051 Fax: + 1 952 736-4212

For warranty repair or service information, contact the Service Repair department at:
800/685-2606

For technical assistance, contact Technical Support at: 866/78AUDIO

Specifications subject to change without notice.