



Shure Brothers Incorporated  
 222 Hartrey Avenue  
 Evanston IL 60202-3696 U.S.A.

Phone: 800-257-4873 Fax: 847-866-2279  
 In Europe, Phone: 49-7131-72140 Fax: 49-7131-721414  
 Internationally, Phone: 847-866-2200 Fax: 847-866-2585  
 Web Address: <http://www.shure.com>

**MODEL BETA 58A SUPERCARDIOID DYNAMIC VOCAL MICROPHONE**

**Specification Sheet**

**MODEL BETA 58A**

**DESCRIPTION**

The Shure BETA 58A is a high output supercardioid dynamic vocal microphone designed for professional sound reinforcement and project studio recording. It maintains a true supercardioid pattern throughout its frequency range. This ensures high gain before feedback, maximum isolation from other sound sources, and minimum off-axis tone coloration. The BETA 58A has a shaped frequency response that is ideal for close-up vocals. The superb performance of this microphone is not affected by rough handling because of its rugged construction, proven shock mount system, and hardened steel mesh grille. Typical applications for the BETA 58A include lead vocals, backup vocals and speech.

**Features**

- *Frequency response tailored for vocals, with brightened midrange and bass rolloff to control proximity effect*
- *Uniform supercardioid pattern for high gain before feedback and superior rejection of off-axis sound*
- *Neodymium magnet for high signal-to-noise output*
- *Hardened steel mesh grille that resists wear and abuse*
- *Advanced pneumatic shock mount system that minimizes transmission of mechanical noise and vibration*
- *Minimally affected by varying load impedance*
- *Legendary Shure quality and reliability*

**SPECIFICATIONS**

**Type**

Dynamic (moving coil)

**Frequency Response**

50 to 16,000 Hz (see *Frequency Response*, page 2)

**Polar Pattern**

Supercardioid, rotationally symmetrical about microphone axis, uniform with frequency (see *Polar Patterns*, page 2)

**Impedance**

Rated at 150 Ω (290 Ω actual) for connection to microphone inputs rated low Z

**Output Level** (at 1,000 Hz)

Open Circuit Voltage: -71.5 dB\* (0.27 mV)  
 \*0 dB = 1 v/μbar

**Hum Pickup** (at 60 Hz)

Maximum 15.0 mV in 10 oe field  
 Maximum 26.5 dB equivalent SPL per 1 moe

**Polarity**

Positive pressure on diaphragm produces positive voltage on pin 2 with respect to pin 3

**Case**

Silver blue enamel-painted die cast metal with hardened, matte-finished, spherical steel mesh grille

**Connector**

Three-pin professional audio connector (male XLR)

**Swivel Adapter**

Slip-in, adjustable through 180°, with standard 5/8"-27 thread

**Net Weight**

278 grams (9.92 oz)

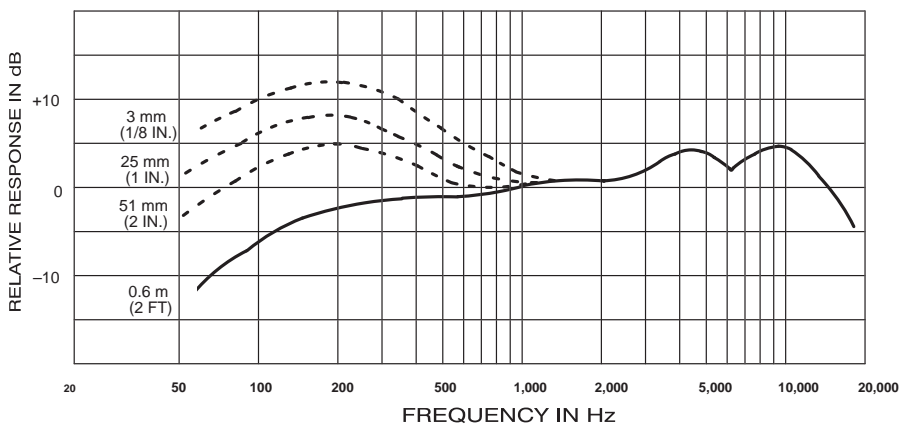
**Certification**

Conforms to European Union directives, eligible to bear CE marking; meets European Union EMC Immunity Requirements (EN 50 082-1, 1992); RF radiated (IEC 801-3); ESD (IEC 801-2); EFT (IEC 801-4).

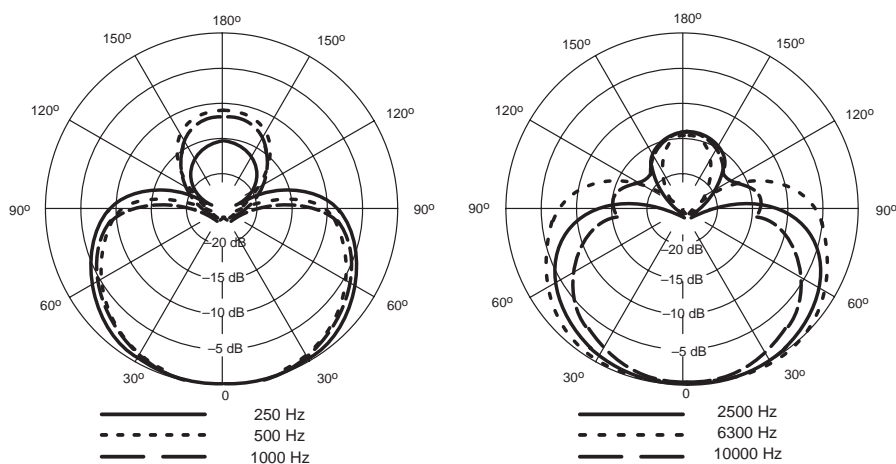
**FURNISHED ACCESSORIES**

- Swivel Adapter ..... A25C
- Storage Bag ..... 26A21
- 5/8" to 3/8" (Euro) Thread Adapter ..... 95A2050

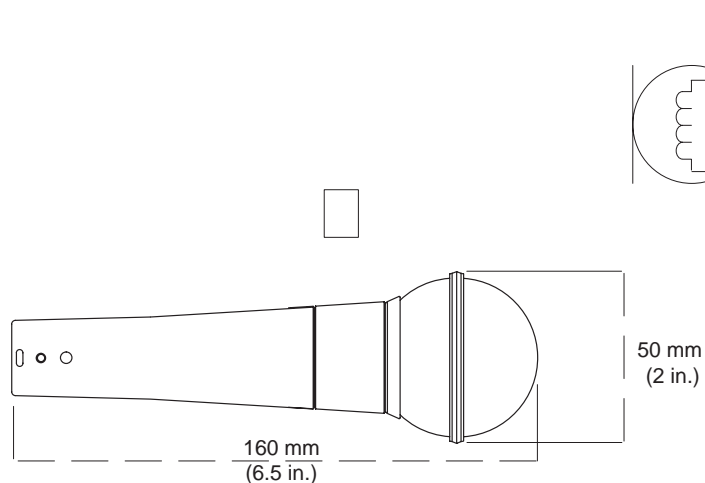




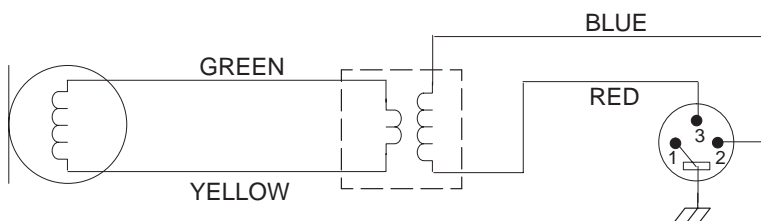
FREQUENCY RESPONSE



POLAR PATTERNS



DIMENSIONS



INTERNAL CONNECTIONS



THE SOUND OF PROFESSIONALS...WORLDWIDE®

**Shure Brothers Incorporated**  
 222 Hartrey Avenue, Evanston, Illinois U.S.A. 60202-3696  
 Phone: 1-847-866-2200 Fax: 1-847-866-2279  
 In Europe: 49-7131-72140 Fax: 49-7131-721414  
 Other International: 1-847-866-2200 Fax: 1-847-866-2585