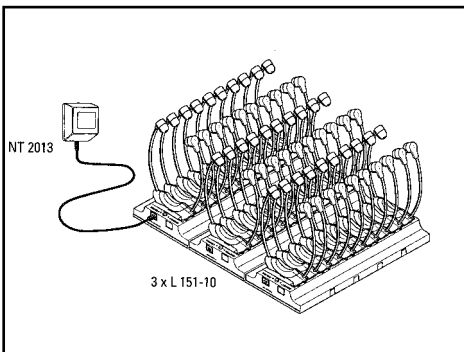
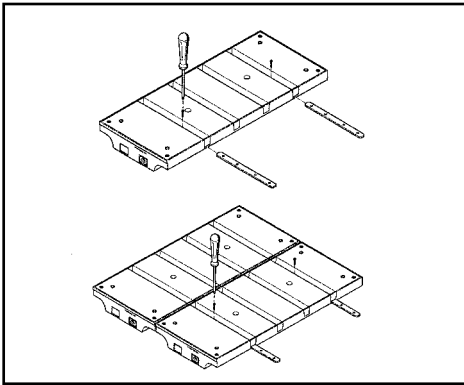
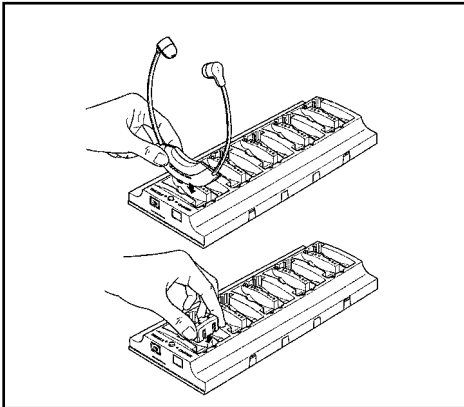


Charger for (10) BA 151 batteries with power supply



To charge 11-50 BA 151 batteries, use multiples of L 151-10 and (1) NT 2013-120 power supply

## L 151-10 Charger For BA 151 Batteries

Charging unit for recharging up to 10 stethoset receivers. The L 151-10 is suitable for the following stethoset receivers (containing BA 151 battery pack): RI150, 250, 300, 500 and HDI 302.

### Technical Data

Charging compartments	10
Charging current at "normal" charge	approx. 10 mA
Charging current at trickle charge	approx. 2 mA
Charging time ("normal" charge)	approx. 10 hours
Power supply	12 V DC via NT 92/NT 2013
Weight (without receivers, and power supplies)	approx 14 oz.
Dimensions in inches	12.8 x 3.85 x 1.65

### Architect's Specifications

The charger should be capable of charging at least 10 batteries. It must have the option of external charging in cradles while leaving the battery in the receiver or charging batteries separately in individual ports. It must be expandable to provide charging for up to 50 receivers. The charger shall be a Sennheiser L151-10.

**Sennheiser Electronic Corporation**, 1 Enterprise Drive, Old Lyme, CT 06371

Telephone: 860-434-9190 • Fax: 860-434-1759 • Web: <http://www.sennheiserusa.com>

**Sennheiser Mexico:** Av. Xola 613, PH6, Col. Del Valle 03100, Mexico, DF. Telephone: (525) 639-0956. Fax: (525) 639-9482

**Sennheiser Canada:** 221 Labrosse Ave, Pte-Claire, PQ H9R 1A3. Telephone: 514-426-3013. Fax: 514-426-3953

Manufacturing Plant: Am Labor 1, 30900 Wedemark, Germany