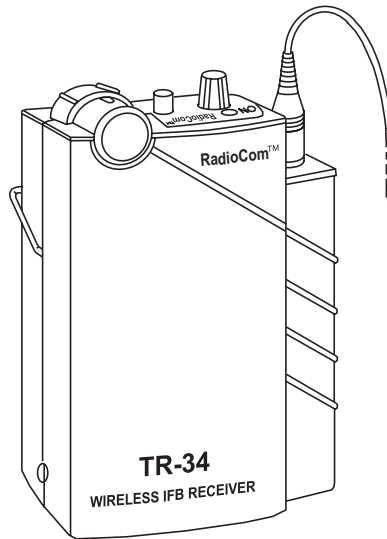


# Telex

---

## Operating Instructions



**RadioCom™**  
WIRELESS IFB RECEIVER

**TR-34**  
**16 Channel**  
**Synthesized Receiver**

---

**TELEX®**

---

## TR-34 16 Channel Synthesized Receiver

### **SPECIFICATIONS**

Temperature Range .....0 to +50 degrees C  
Supply Voltage .....2-3 Volts, (2) AA Batteries  
Battery Life .....16-20 Hrs - Alkaline  
8-10 Hrs - Nickel-cadmium  
Frequency Response 100-10 kHz .....Less than 3 dB Variation  
Sensitivity (12 dB SINAD @ 74 MHz)..... 1 $\mu$ V max.  
Distortion .....less than 2%

Controls and Connections .....Volume OFF/ON Switch;  
Treble Control Switch; Channel Selection Switch  
Audio Output Jack

### **CHANNEL ASSIGNMENT**

| Channel # | Freq. (MHz) | Channel # | Freq. (MHz) |
|-----------|-------------|-----------|-------------|
| 1         | 64.5        | A         | 66.1        |
| 2         | 64.7        | B         | 66.3        |
| 3         | 64.9        | C         | 66.5        |
| 4         | 65.1        | D         | 66.7        |
| 5         | 65.3        | E         | 66.9        |
| 6         | 65.5        | F         | 67.1        |
| 7         | 65.7        | G         | 67.3        |
| 8         | 65.9        | H         | 67.5        |

---

## **OPERATING FEATURES**

---

### **Volume OFF/ON Control**

This thumbwheel control serves as both an off/on switch and as a volume control. The Receiver is turned off when the control is in the extreme counterclockwise position, when viewed from the rear, and the volume is loudest when the control is in the extreme clockwise position as indicated on the volume control.

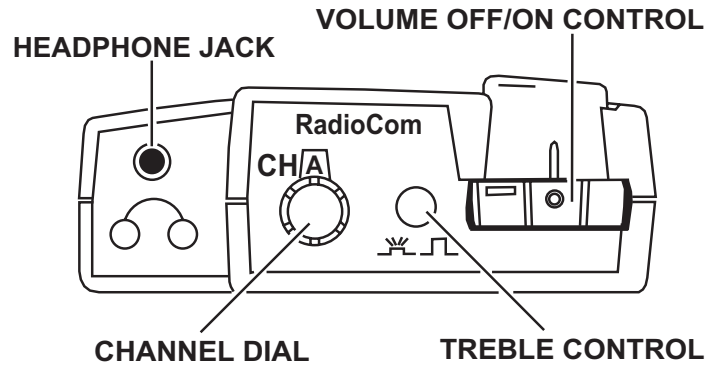
**NOTE:** The Audio Output Jack must have a headphone, or other accessory, plugged in to activate the TR-34 power "ON". Power "ON" is indicated by the lighting of the channel numbers.

### **Channel Selection Dial**


The Channel Dial is rotated in the clockwise counterclockwise directions to attain reception of the desired channel(s) being transmitted within the 64 to 67 MHz frequency band.

### **Headphone Jack**

The headphone jack accepts a 0.140-inch (3.5 mm) diameter miniature mono or stereo phone plug. A variety of accessory units can be plugged into this jack for reception of the desired channel(s) being transmitted.

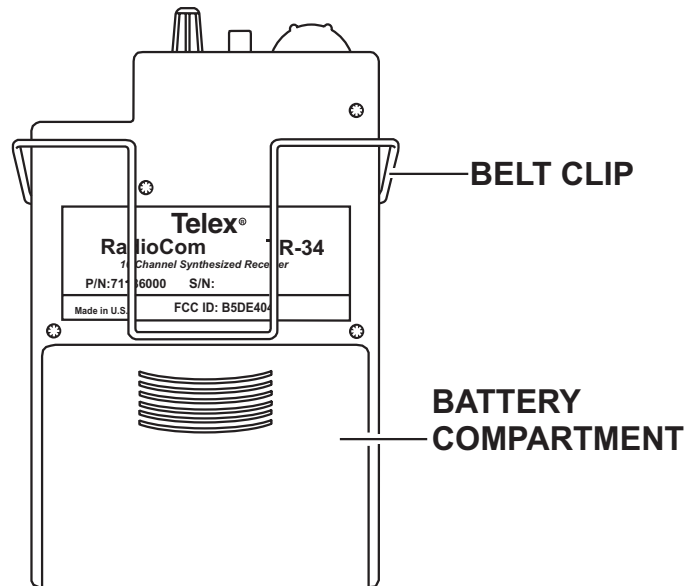


### **Treble Control**

A push button treble control is provided to enhance the “High” audio when the button is engaged, indicated by , the “High” audio is emphasized.

### **Belt Clip**

The belt clip supplied is detachable by spreading the wire apart at the tops and removing one side of the clip from the case and then the other.



---

## OPERATION

---

### General

The Telex TR-34 Receiver is a synthesized receiver which operates on 16 channels in the 64 to 67 MHz Band. The TR-34 is designed to be used with the Telex TT-34 Transmitter.

To operate the TR-34 Receiver:

1. Select a suitable location for the transmitter, and try to keep a clear, unobstructed path between the transmitter and receiver antennas for a clear transmission.

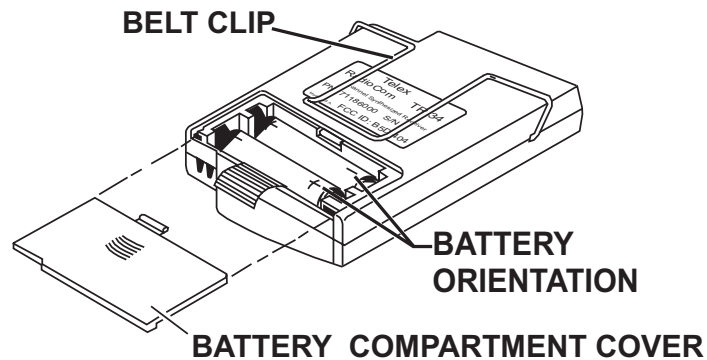
2. Plug a receiver accessory cord from a unit such as an ear-phone, headphone button receiver, induction coil neckloop, or audio-input hearing aid into the receiver jack (the cord acts as a receiving antenna).
3. Rotate the VOLUME OFF/ON Control slowly in the clockwise direction while monitoring the volume level and select the correct receive channel.
4. Adjust volume for desired comfort. (Engage treble control to enhance "Highs" if desired.)
5. When satisfied with the channel selection and volume level, place the Receiver in a pocket or clip it to your belt for convenience.
6. Always return the VOLUME OFF/ON control to the OFF position when the Receiver is not in use to preserve battery life.

---

## **BATTERY REPLACEMENT**

---

The TR-34 Receiver uses two AA alkaline batteries. Replace weak batteries with two fresh AA alkaline batteries, and position them in the battery compartment as illustrated. 16-20 Hours of operations can be expected from alkaline batteries and 8-10 hours on nickel-cadmium batteries.



**NOTE:** If the unit is to be stored for any length of time be sure to remove the batteries from the unit.

---

### **FCC INFORMATON**

---

The Telex Model TR-34 Receiver is Authorized under Part 15 of the Federal Communications Commission. Licensing of Telex equipment is the user's responsibility and licensability depends upon the user's classification, user's application, and frequency selected.

**CAUTION:** Changes or modifications made by the user could void the user's authority to operate the equipment.

---

## OPTIONAL ACCESSORIES

---

| <b>Description</b>                    | <b>Catalog No.</b> |
|---------------------------------------|--------------------|
| Earphone (single).....                | 59840-005          |
| Earphone (dual) .....                 | 59840-007          |
| Lightweight Headphone .....           | 59840-003          |
| Full Cushion Headphone .....          | 63510-021          |
| Button Receiver and 30 inch Cord..... | 64115-001          |
| NL-4 Induction Coil Neckloop .....    | 71120-001          |

**TELEX<sup>®</sup>**

TELEX COMMUNICATIONS, INC. 12000 Portland Ave. South, Burnsville, MN 55337, U.S.A.

PN 802814

AUG 2000

Made in U.S.A.