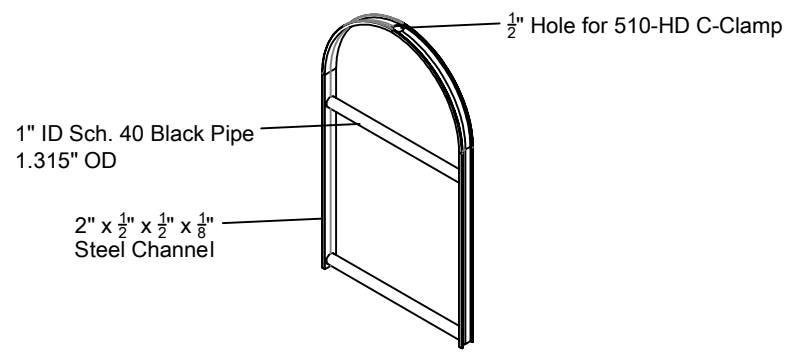


**ISOMETRIC VIEW:**

SCALE:  $\frac{3}{4}$ " = 1'-0"  
 510-HD Clamp assembly removed

Part number: 262  
 Description: 2 Rung Ladder w. 510-HD Heavy Duty Pipe Clamp  
 Hanging Weight: 24 LBS. [10.88kg.]  
 Working Load Limit: 665 LBS. [301 kg.]



**ISOMETRIC VIEW:**

SCALE: NTS  
 510-HD Clamp assembly removed

PROPRIETARY AND CONFIDENTIAL: THE INFORMATION CONTAINED IN THIS DRAWING IS THE SOLE PROPERTY OF ALTMAN STAGE LIGHTING INC. ANY REPRODUCTION IN PART OR AS A WHOLE WITH OUT THE WRITTEN PERMISSION OF ALTMAN STAGE LIGHTING INC. IS PROHIBITED.

ALL SPECIFICATIONS, DESCRIPTIONS INFORMATION, DESIGN, ETC. CONTAINED IN THIS DOCUMENT ARE SUBJECT TO CHANGE WITHOUT PRIOR NOTICE

©2018 Altman Stage Lighting, Inc.

UNLESS OTHERWISE NOTED:		
DIMENSIONS ARE IN: FEET & INCHES [MM]		
TOLERANCES: FRACTIONAL $\pm \frac{1}{16}$ " [1.5MMM]		
PMB	06/01/2018	A
BY:	DATE:	REV:

DRAWING TITLE: <b>262 LIGHT LADDER</b>	
PRODUCT DESCRIPTION:	2 RUNG LIGHT LADDER
PRODUCT PART NUMBER	262

DRAWING SCALE: <b>As Noted</b>
A SIZE
DO NOT SCALE DRAWING

**ALTMAN**  
Lighting, Inc.

Altman Lighting  
 57 Alexander Street Yonkers, NY 10701  
 1.914.476.7987 1.914.963.7304 (fax)  
 www.altmanlighting.com