

CT290-4VH

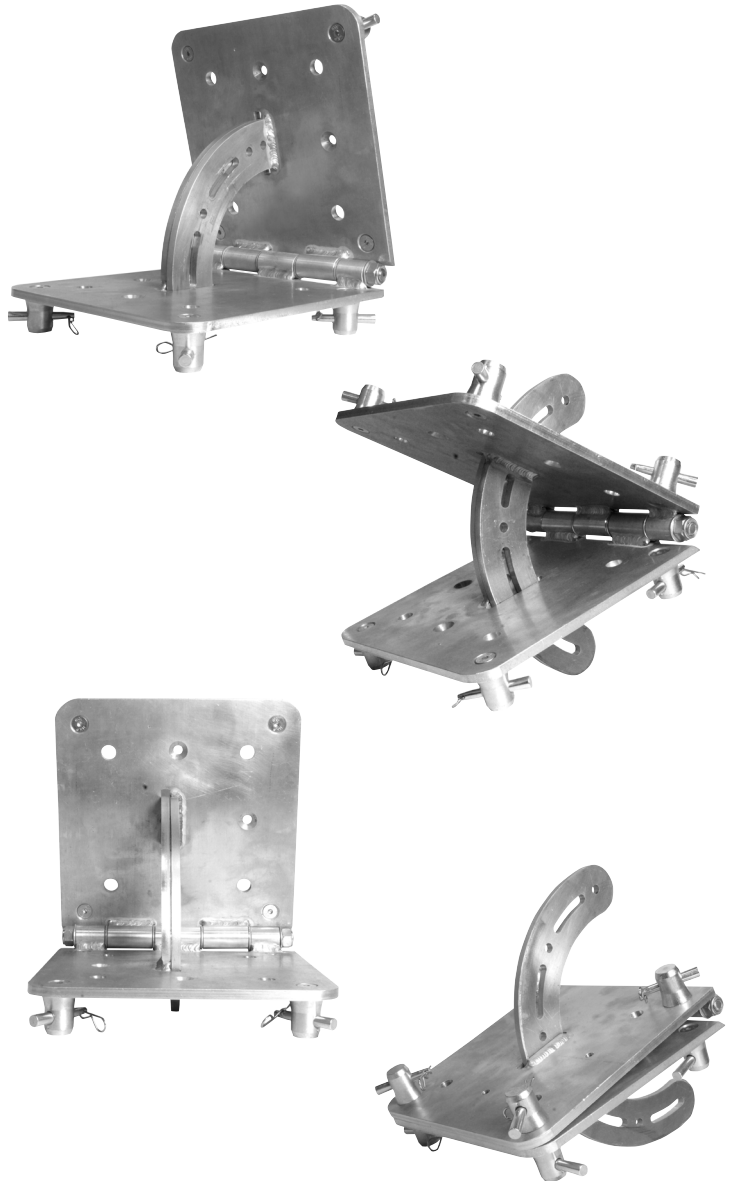
The TRUSST® Versa Hinge is the first hinge that is compatible with square and triangle conical truss as well as industry standard 12" bolt plate truss. Constructed of 10mm thick 6061 T-6 aluminum, the Versa Hinge incorporates a built in arm to set and lock the desired angle between sections of truss. The Versa Hinge's ability to connect to several types of truss gives it the versatility found in no other product. The robust construction is built to handle years of trouble free use.

FEATURES

- Hinge allows positioning of truss sections at angles not available with a fixed corner block
- Manufactured from 6061 T-6 lightweight aluminum for easy transportation and setup
- Fully welded assembly carefully crafted by SLV-certified welders
- Compatible with all TRUSST® CT-290 truss products and other brands of truss with conical connections
- Compatible with all 12" truss products with standard bolt plate connections using 5/8" bolts
- Compatible with all 12" triangle truss with conical connections (60° minimum angle)
- Built-in adjustable angle lock arm

WHAT'S INCLUDED

- CT290-4VH
- Connecting hardware - conical connectors, spigots, cotter pins (8 sets)



Weight: 18.6 lb. (8.5 kg)

Size: 11.42 x 11.42 in (290 x 290 mm)