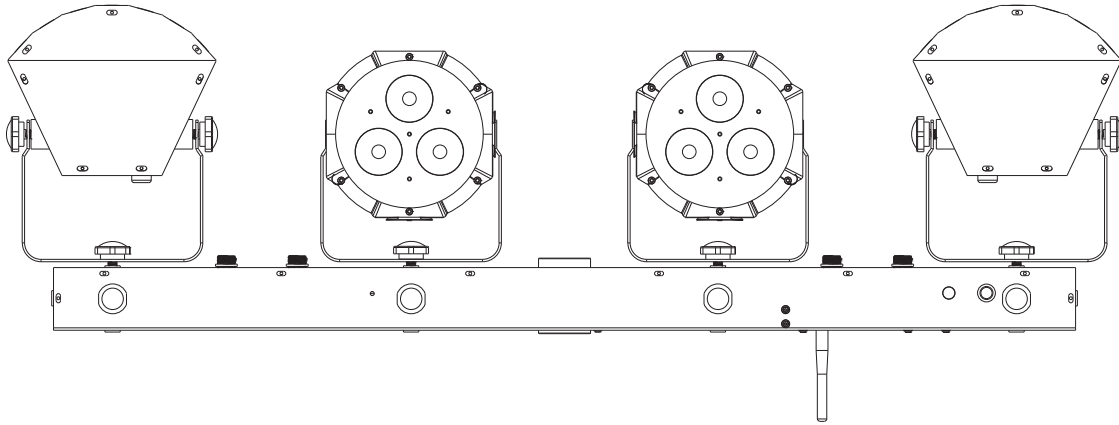


GigBAR Flex

User Manual



1. Before You Begin	1
What Is Included	1
Unpacking Instructions.....	1
Claims	1
Text Conventions	1
Symbols	1
Disclaimer	1
Product at a Glance	2
Safety Notes.....	2
2. Introduction	3
Product Overview.....	3
Product Dimensions	4
3. Setup	5
AC Power	5
Fuse Replacement.....	5
Power Linking.....	5
Mounting	6
Orientation.....	6
Rigging	6
4. Operation	7
Control Panel Operation.....	7
Menu Map	7
Configuration (DMX)	8
DMX Personality and Starting Address.....	8
Custom Color Adjustment	8
System Settings	9
DMX Values	10
20Ch.....	10
8Ch.....	11
3Ch.....	12
Configuration (Standalone)	12
Sound Mixed Effect Sound-Active Mode.....	12
Auto Mixed Effect Automatic Mode	12
Show Settings	13
Master/Slave Mode	13
IRC-6 Infrared Remote Control	14
IRC-6 Operation	14
Wireless Foot-Switch Operation.....	15
5. Maintenance	16
Product Maintenance	16
6. Technical Specifications	17
7. Returns	19
8. Contact Us	20

1. BEFORE YOU BEGIN

What Is Included

- GigBAR Flex
- Power cord
- Carrying bag
- Wireless foot switch
- IRC-6
- Warranty Card
- Quick Reference Guide

Unpacking Instructions

Carefully unpack the product immediately and check the container to make sure all the parts are in the package and are in good condition.

Claims





If the box or the contents (the product and included accessories) appear damaged from shipping, or show signs of mishandling, notify the carrier immediately, not Chauvet. Failure to report damage to the carrier immediately may invalidate your claim. In addition, keep the box and contents for inspection.

For other issues, such as missing components or parts, damage not related to shipping, or concealed damage, file a claim with Chauvet within 7 days of delivery.

Text Conventions

CONVENTION	MEANING
1–512	A range of values
50/60	A set of values of which only one can be chosen
Settings	A menu option not to be modified
<ENTER>	A key to be pressed on the product's control panel
ON	A value to be entered or selected

Symbols

SYMBOL	MEANING
	Electrical warning. Not following these instructions may cause electrical damage to the product, accessories, or the user.
	Critical installation, configuration, or operation information. Not following these instructions may make the product not work, cause damage to the product, or cause harm to the operator.
	Important installation or configuration information. The product may not function correctly if this information is not used.
	Useful information.

Disclaimer

Chauvet believes that the information contained in this manual is accurate in all respects. However, Chauvet assumes no responsibility and specifically disclaims any and all liability to any party for any loss, damage or disruption caused by any errors or omissions in this document, whether such errors or omissions result from negligence, accident or any other cause. Chauvet reserves the right to revise the content of this document without any obligation to notify any person or company of such revision, however, Chauvet has no obligation to make, and does not commit to make, any such revisions. Download the latest version from www.chauvetdj.com.










The works of authorship contained in this manual, including, but not limited to, all design, text and images are owned by Chauvet.

© Copyright 2017 Chauvet & Sons, LLC. All rights reserved.

Electronically published by Chauvet in the United States of America.

CHAUVET, the Chauvet logo, and GigBAR Flex are registered trademarks or trademarks of Chauvet & Sons LLC. (d/b/a Chauvet and Chauvet Lighting) in the United States and other countries. Other company and product names and logos referred to herein may be trademarks of their respective companies.

Product at a Glance

Use on Dimmer		Auto Programs	
Outdoor Use		Auto-ranging Power Supply	
Sound-Active		Replaceable Fuse	
DMX		User-Serviceable	
Master/Slave			

Safety Notes



- This product is not intended for permanent installation.
- ONLY connect this product to a grounded and protected circuit.
- DISCONNECT from power before cleaning or replacing the fuse.
- DO NOT look at the light source when the product is on.
- Make sure the power cord is not crimped or damaged.
- Never disconnect this product from power by pulling on the cord.
- When mounting this product overhead, ALWAYS use a safety cable.
- DO NOT allow flammable materials close to the product when it is operating.
- DO NOT touch the product's housing when it is on because it will be hot.



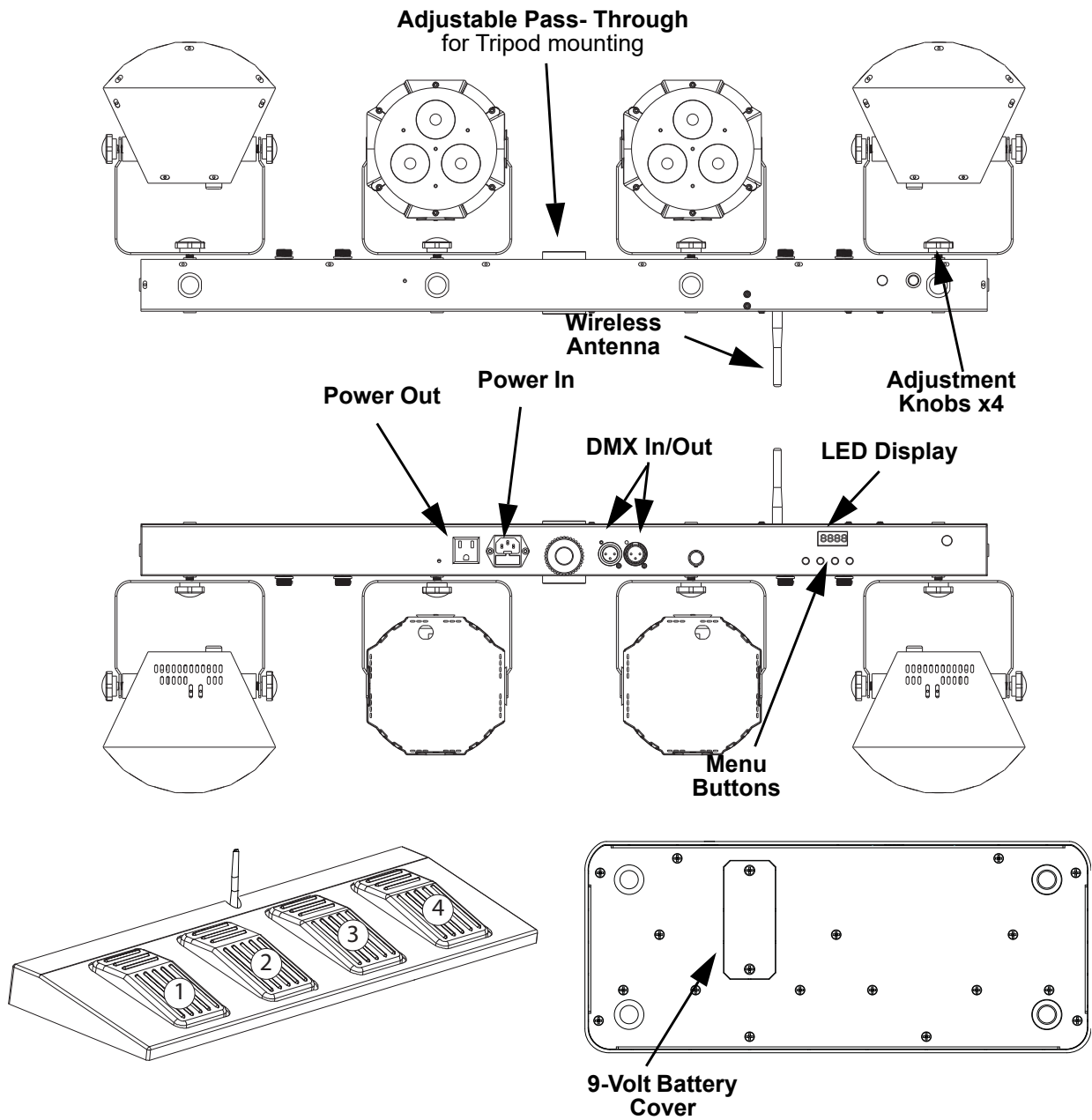
- The voltage of the outlet to which you are connecting this product must be within the range stated on the decal or rear panel of the product.
- This product is for indoor use only! (IP20) To prevent risk of fire or shock, do not expose this product to rain or moisture.
- In the event of a serious operating problem, stop using immediately.
- Always mount this product in a location with adequate ventilation, at least 20 in (50 cm) from adjacent surfaces.
- Be sure that no ventilation slots on the unit's housing are blocked.
- Never connect this product to a dimmer or rheostat.
- Replace the fuse with the same type and rating.
- Never carry the product by the power cord. Use only the handle to carry this product.
- The maximum ambient temperature is 104 °F (40 °C). Do not operate this product at higher temperatures.
- DO NOT open this product. It contains no user-serviceable parts.
- To eliminate unnecessary wear and improve its lifespan, during periods of non-use completely disconnect the product from power via breaker or by unplugging it.



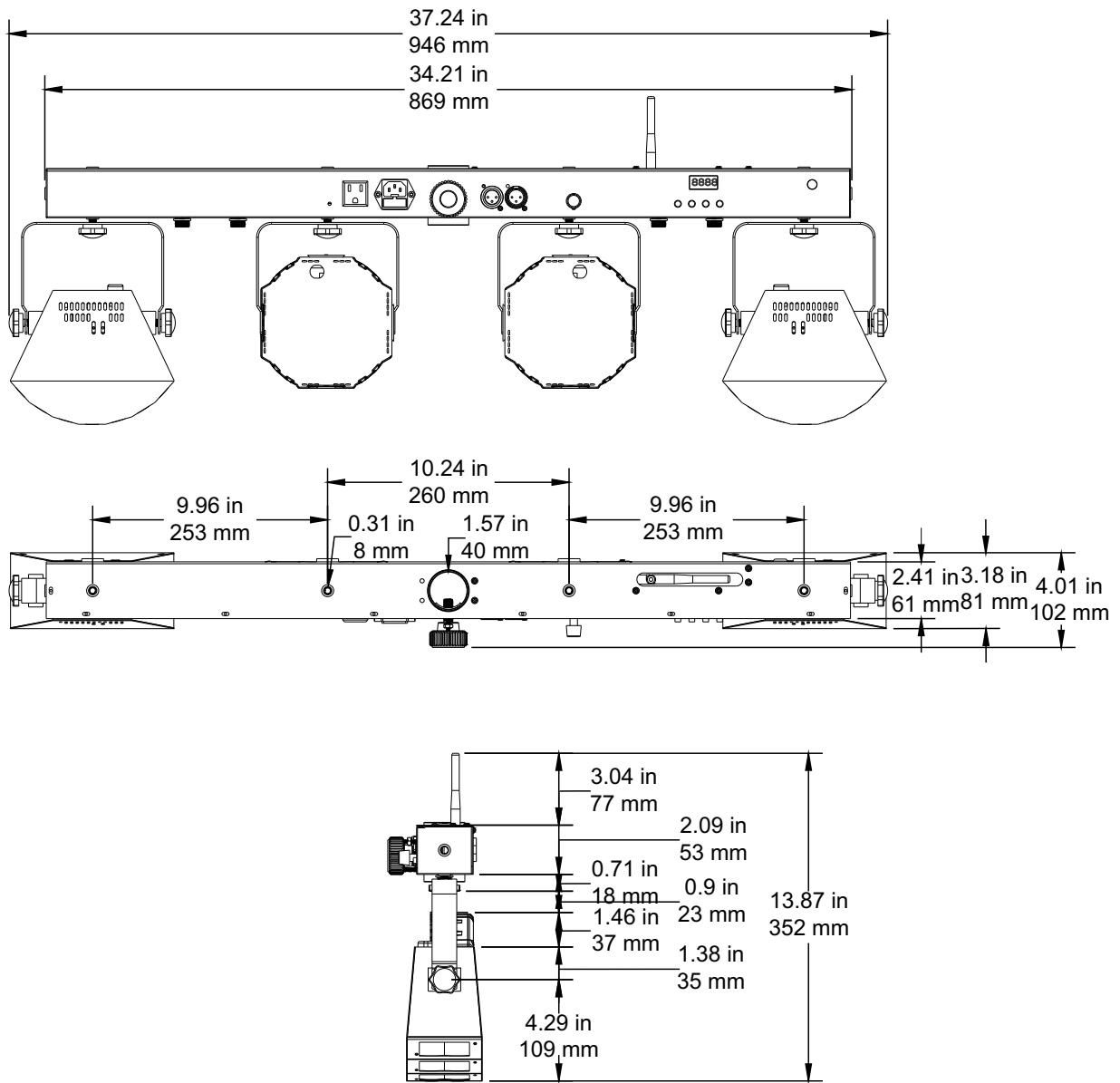
Keep this User Manual for future use. If you sell the product to someone else, be sure that they also receive this document.

2. INTRODUCTION

Product Overview



Product Dimensions



3. SETUP

AC Power

The GigBAR Flex has an auto-ranging power supply and it can work with an input voltage range of 100 to 240 VAC, 50/60 Hz. To determine the product's power requirements (circuit breaker, power outlet, and wiring), use the current value listed on the label affixed to the product's back panel, or refer to the product's specifications chart. The listed current rating indicates the product's average current draw under normal conditions.



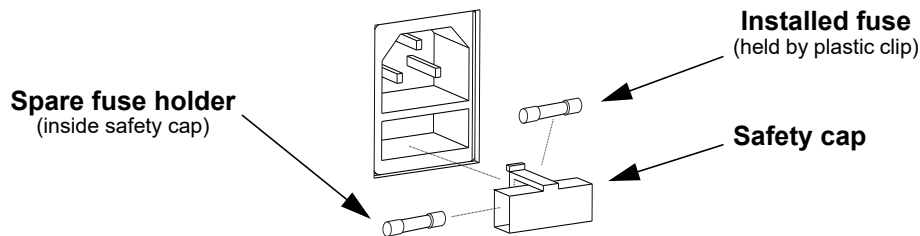
- **Always connect the product to a protected circuit (circuit breaker or fuse). Make sure the product has an appropriate electrical ground to avoid the risk of electrocution or fire.**
- **To eliminate unnecessary wear and improve its lifespan, during periods of non-use completely disconnect the product from power via breaker or by unplugging it.**



Never connect the product to a rheostat (variable resistor) or dimmer circuit, even if the rheostat or dimmer channel serves only as a 0 to 100% switch.

Fuse Replacement

1. Wedge the tip of a flat-head screwdriver into the slot of the fuse holder.
2. Pry the fuse holder out of the housing.
3. Remove the blown fuse from the holder and replace with a fuse of the exact same type and rating.
4. Insert the fuse holder back in place and reconnect power.

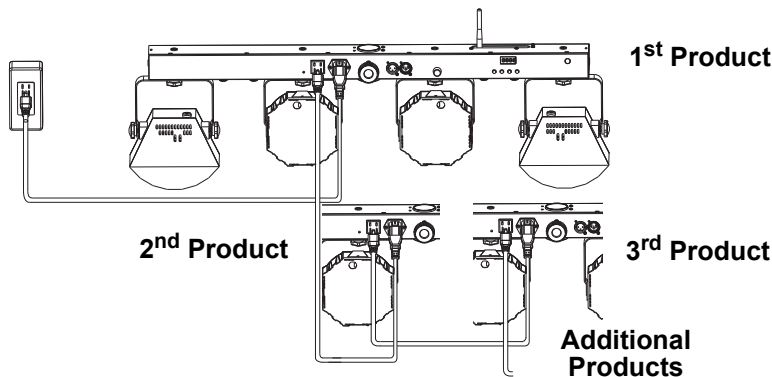


Disconnect the product from the power outlet before replacing the fuse.

Power Linking

The product provides power linking via the Edison outlet located in the back of the product. Please see the diagram below for further explanation.

Power Linking Diagram



You can power link up to 12 GigBAR Flex products on 120 VAC or up to 22 GigBAR Flex products on 230 VAC.



The power linking diagram corresponds to the North American version of the product ONLY! If using the product in other markets, you must consult with the local Chauvet distributor as power linking connectors and requirements may differ in your country or region.

Mounting

Before mounting the product, read and follow the safety recommendations indicated in the [Safety Notes](#).

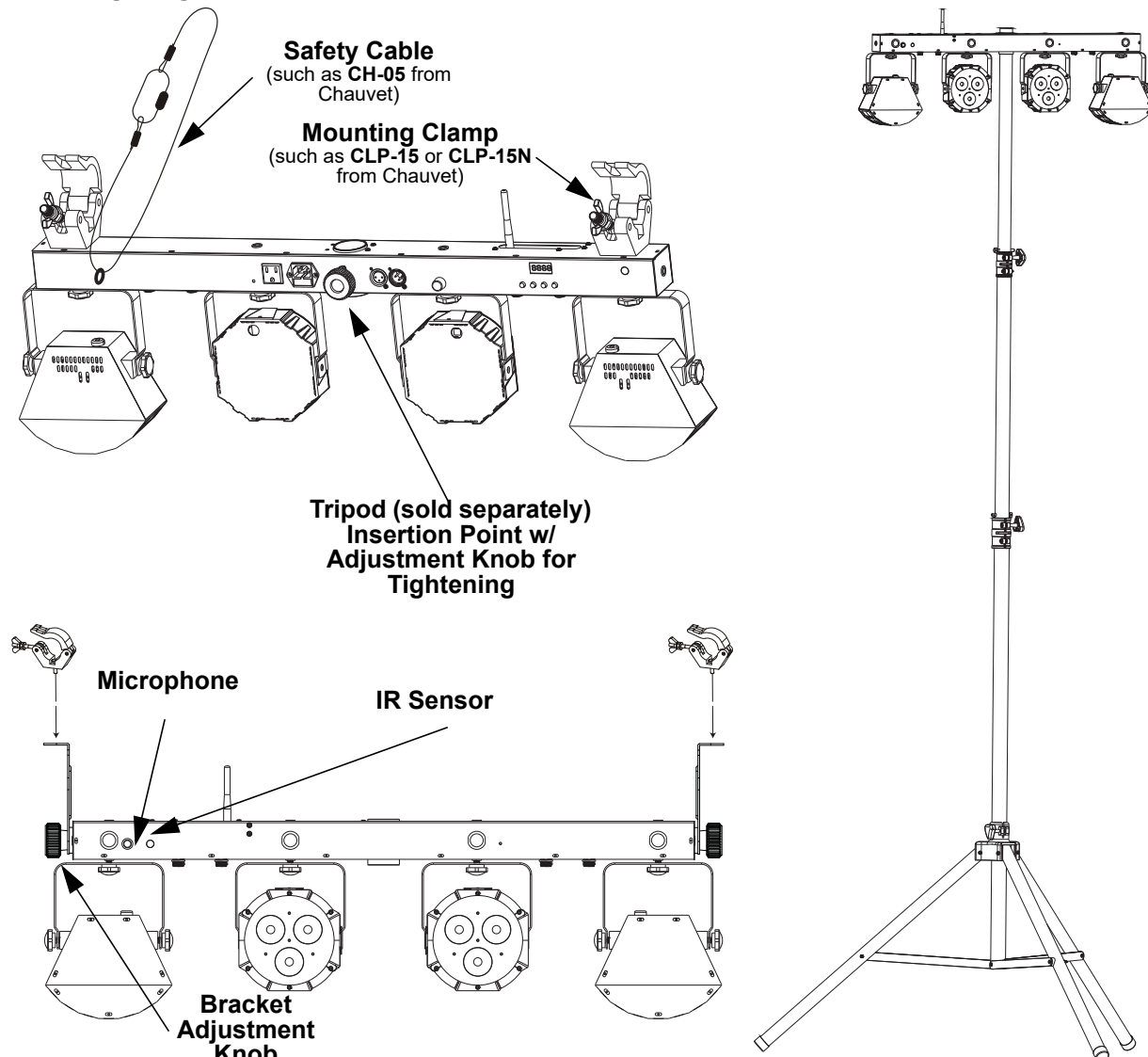
Orientation

The GigBAR Flex may be mounted in any position; however, make sure adequate ventilation is provided around the product.

Rigging

- Before deciding on a location for the product, always make sure there is easy access to the product for maintenance and programming purposes.
- Make sure that the structure onto which you are mounting the product can support the product's weight. See the [Technical Specifications](#) for weight information.
- When mounting the product overhead, always use a safety cable. Mount the product securely to a rigging point, whether an elevated platform or a truss.
- When rigging the product onto a truss, use a mounting clamp of appropriate weight capacity.
- When power linking multiple products, mount the products close enough for power linking cables to reach.
- The bracket adjustment knobs allow for directional adjustment when aiming the product to the desired angle. Only loosen or tighten the bracket knobs manually. Using tools could damage the knobs.

Mounting Diagram



4. OPERATION

Control Panel Operation

To access the control panel functions, use the four buttons located underneath the display. Please refer to the [Product Overview](#) to see the button locations on the control panel.

Button	Function
<MENU>	Press to find an operation mode or to back out of the current menu option
<UP>	Press to scroll up the list of options or to find a higher value
<DOWN>	Press to scroll down the list of options or to find a lower value
<ENTER>	Press to activate a menu option or a selected value

Menu Map

MODE	PROGRAMMING LEVELS		DESCRIPTION	
AUTO Mixed Effect	AM01		Selects the auto mixed effect show	
	AM02			
SOUND Mixed Effect	SM01		Selects the sound mixed effect show	
	SM02			
Auto Par Effect	SHOW	AP01–AP07	Selects the Par show	
Auto Derby Effect		AK01	Selects the Derby auto speed	
Auto Strobe Effect		AS01–AS22	Selects the auto strobe shows	
Auto Par+Derby		APK1	Selects the Par and Derby auto show speed	
Auto Par + Strobe		APS1	Selects the Par and strobe show speed	
Auto Derby + Strobe		AKS1	Selects the Derby and strobe auto who speed	
Par + Derby + Strobe		APKS	Selects the Par, Derby, and strobe speed	
Sound Par Effect		SP01–SP07		Set Pars to Sound mode
Sound Derby Effect		SK01		Sets Derby Lights to Sound mode
Sound Strobe Effect		SS01–SS22		Sets strobes to Sound mode and selects effect speed
Sound Par + Derby	SPK1		Sets Pars and Derby Lights to Sound mode	
Sound Par + Strobe	SPS1		Sets Pars and strobes to Sound mode	
Sound Derby + Strobe	SKS1		Sets Derby Lights and strobes to Sound Mode	
Par + Derby + Strobe	SPKS		Sets Pars, Derby Lights and strobes to Sound mode	
General COLOR Setting	CoLo	R000–R255	Sets both Par and Derby red values	Note: ONLY 3 of the 4 colors may be used at the same time.
		G000–G255	Sets both Par and Derby green values	
		B000–B255	Sets both Par and Derby blue values	
		U000–U255	Sets the UV values for the Par and strobes	

MODE	PROGRAMMING LEVELS		DESCRIPTION	
DMX Mode Setting	d001–d512	3 CH	Sets DMX starting address; selects the DMX personality DMX range restricted by number of channels in the selected DMX mode	
		8 CH		
		20 CH		
Master/Slave Setting	Slav		Sets to Slave mode	
System Options	Sys	dSET	1234	Changes arrangement of pods
		rSEt		Resets to factory defaults
		WiFi	on off	Turns on/off Wi-Fi antenna for wireless footswitch

Configuration (DMX)

The GigBAR Flex works with a DMX controller. Information about DMX is in the CHAUVET DMX Primer, which is available from the Chauvet website http://www.chauvetlighting.com/downloads/DMX_Primer_rev05_WO.pdf.

DMX Personality and Starting Address

When selecting a starting DMX address, always consider the number of DMX channels the selected DMX mode uses. If you choose a starting address that is too high, you could restrict the access to some of the product's channels.

The GigBAR Flex uses up to 20 DMX channels in a 20CH DMX mode, which defines the highest configurable address to **493**.

If you are not familiar with the DMX protocol, download the DMX Primer from www.chauvetdj.com.

To select the starting address, do the following:

1. Press **<MENU>** repeatedly until **d001** shows on the display.
2. Use **<UP>** or **<DOWN>** to select the starting address.
3. Press **<ENTER>** and **3 CH**, **8 CH**, or **20 CH** will show on the display.
4. Use **<UP>** or **<DOWN>** to select the desired personality
5. Press **<ENTER>**.

Custom Color Adjustment

To set both the Par and Derby to a custom color, do the following:

1. Press **<MENU>** repeatedly until **CoLo** blinks on the display.
2. Press **<ENTER>**.
3. Use **<UP>** or **<DOWN>** to scroll through **R**** (red), **G**** (green), **B**** (blue), or **U**** (UV).
4. Press **<ENTER>** to select the color.
5. Use **<UP>** or **<DOWN>** to adjust the color saturation (**X000–X255**).
6. Press **<ENTER>**.
7. Repeat Steps 3 through 5 for each color.



Note: ONLY 3 of the 4 colors may be used at the same time.

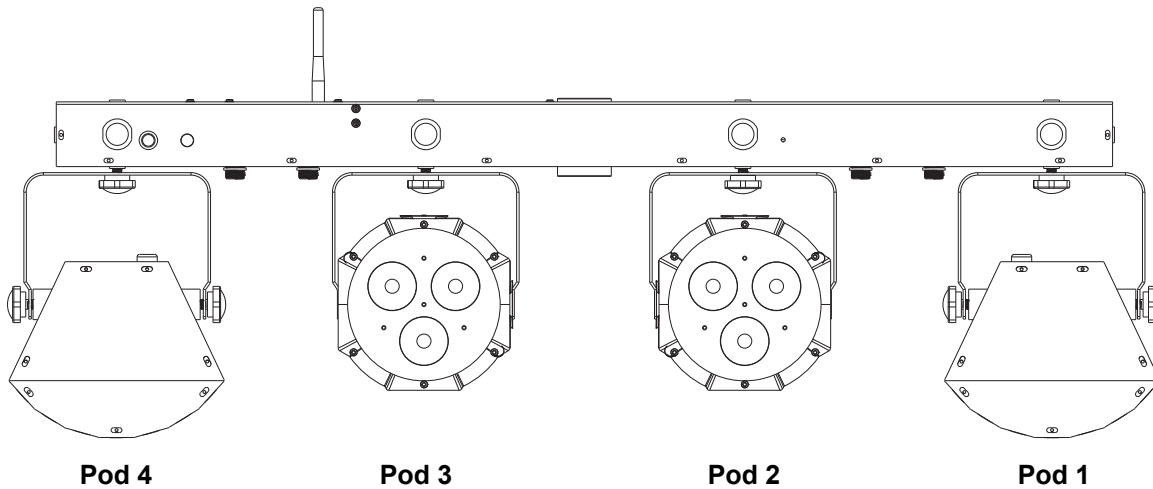
System Settings

To restore factory default settings, or make changes to individual pod settings, follow the directions below:

1. Press **<MENU>** repeatedly until **SyS** blinks on the display
2. Press **<ENTER>**.
3. Use **<UP>** or **<DOWN>** to select **rSET** (factory default) or **dSET** (changes pod arrangement).
4. Press **<ENTER>** to select the desired system setting.

If **rSET** is selected, GigBAR Flex is restored to factory default settings.

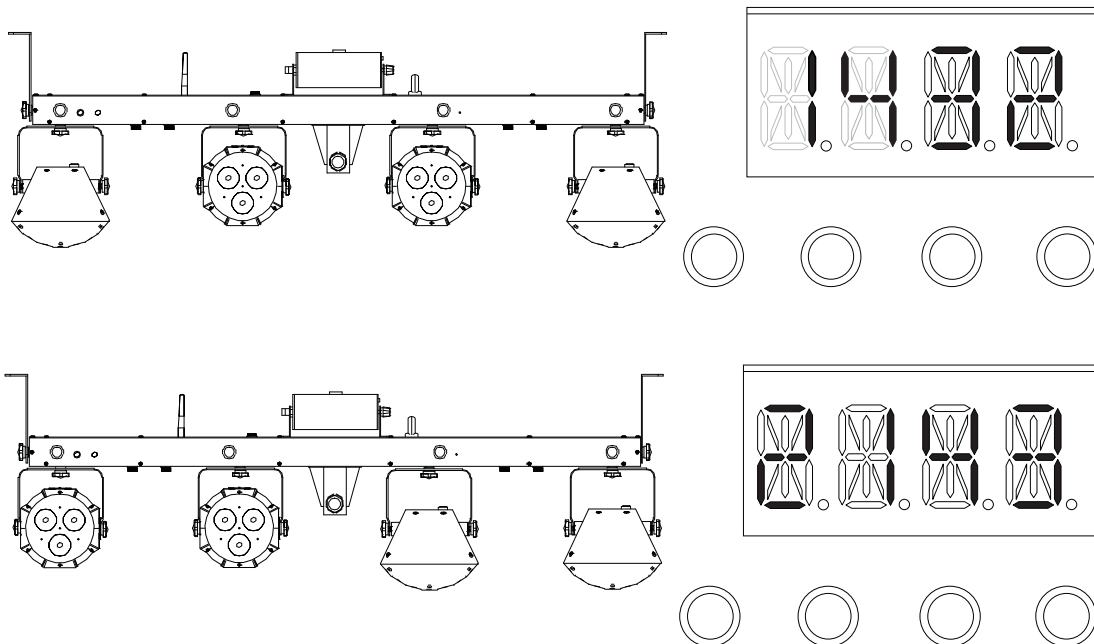
Default Pod Arrangement



If **dSET** is selected, change the order of the pods by using the steps and examples below to arrange the order of the pods:

- Use **<UP>** to move right on the display.
- Use **<DOWN>** to change the digit value (1, 2, 3, or 4).
- Press **<ENTER>** to confirm.
- Repeat until all 4 pods are arranged as desired.

Examples of Pod Order Rearrangement



DMX Values

20Ch

CHANNEL	FUNCTION	VALUE	PERCENT/SETTING
1	Par 1	000 ⇄ 255	Red 0-100%
2		000 ⇄ 255	Green 0-100%
3		000 ⇄ 255	Blue 0-100%
4		000 ⇄ 255	UV 0-100%
5		000 ⇄ 127 128 ⇄ 239 240 ⇄ 249 250 ⇄ 255	Dimmer 0-100% Strobe speed, slow to fast Strobe to sound RGB 100%
6	Par 2	000 ⇄ 255	Red 0-100%
7		000 ⇄ 255	Green 0-100%
8		000 ⇄ 255	Blue 0-100%
9		000 ⇄ 255	UV 0-100%
10		000 ⇄ 127 128 ⇄ 239 240 ⇄ 249 250 ⇄ 255	Dimmer 0-100% Strobe speed, slow to fast Strobe to sound RGB 100%
11	Derby 1 Control	000 ⇄ 024 025 ⇄ 049 050 ⇄ 074 075 ⇄ 099 100 ⇄ 124 125 ⇄ 149 150 ⇄ 174 175 ⇄ 199 200 ⇄ 224 225 ⇄ 255	Blackout Red Green Blue Red + Green Red + Blue Green + Blue Red + Green + Blue Automatic (single colors only) Automatic (two colors at a time)
12	Derby 1 Strobe Rate	000 ⇄ 009 010 ⇄ 239 240 ⇄ 255	No function Strobe, 0-30 Hz Strobe to sound
13	Derby 1 Rotation	000 ⇄ 004 005 ⇄ 127 128 ⇄ 133 134 ⇄ 255	Stop Rotate clockwise, slow to fast Stop Rotate counter-clockwise, slow to fast
14	Derby 2 Control	000 ⇄ 024 025 ⇄ 049 050 ⇄ 074 075 ⇄ 099 100 ⇄ 124 125 ⇄ 149 150 ⇄ 174 175 ⇄ 199 200 ⇄ 224 225 ⇄ 255	Blackout Red Green Blue Red + Green Red + Blue Green + Blue Red + Green + Blue Automatic (single colors only) Automatic (two colors at a time)
15	Derby 2 Strobe Rate	000 ⇄ 009 010 ⇄ 239 240 ⇄ 255	No function Strobe, 0-30 Hz Strobe to sound
16	Derby 2 Rotation	000 ⇄ 004 005 ⇄ 127 128 ⇄ 133 134 ⇄ 255	Stop Rotate clockwise, slow to fast Stop Rotate counter-clockwise, slow to fast

Note: You are able to use a maximum of 3 colors at a time

Note: You are able to use a maximum of 3 colors at a time

CHANNEL	FUNCTION	VALUE	PERCENT/SETTING	
17	Strobe Patterns	000 ⇄ 009	Blackout	
		010 ⇄ 029	Auto Strobe Program 1	
		030 ⇄ 069	Auto Strobe Program 2	
		050 ⇄ 069	Auto Strobe Program 3	
		070 ⇄ 089	Auto Strobe Program 4	
		090 ⇄ 109	Auto Strobe Program 5	
		110 ⇄ 129	Auto Strobe Program 6	
		130 ⇄ 149	Auto Strobe Program 7	
		150 ⇄ 169	Auto Strobe Program 8	
		170 ⇄ 189	Auto Strobe Program 9	
		190 ⇄ 209	All Strobing	
210 ⇄ 255	Strobe to sound mode			
18	White Strobe Dimmer	000 ⇄ 255	White 0-100%	Note: Channels 18 & 19 cannot be used at the same time.
19	UV Strobe Dimmer	000 ⇄ 255	UV 0-100%	
20	Strobe Speed	000 ⇄ 255	Slow to fast (for CH18 or CH19)	

8Ch

CHANNEL	FUNCTION	VALUE	PERCENT/SETTING	
1	Pars and Derby Color	000 ⇄ 255	Red 0-100%	Note: You are able to use a maximum of 3 colors at a time
2		000 ⇄ 255	Green 0-100%	
3		000 ⇄ 255	Blue 0-100%	
4		000 ⇄ 255	UV 0-100%	
5	Pars and Derby Strobe Controls	000 ⇄ 127	Dimmer 0-100%	
		128 ⇄ 239	Strobe speed, slow to fast	
		240 ⇄ 249	Strobe to sound	
		250 ⇄ 255	RGB 100%	
6	Derby Motor Rotation	000 ⇄ 004	Stop	
		005 ⇄ 127	Rotate clockwise, slow to fast	
		128 ⇄ 133	Stop	
		134 ⇄ 255	Rotate counter-clockwise, slow to fast	
7	White Strobe Speed	000 ⇄ 054	White strobe dimmer, 0–100%	Note: Channels 7 & 8 cannot be used at the same time.
		055 ⇄ 255	White strobe speed, slow to fast	
8	UV Strobe Speed	000 ⇄ 054	UV strobe dimmer, 0–100%	
		055 ⇄ 255	UV strobe speed, slow to fast	

3Ch

CHANNEL	FUNCTION	VALUE	PERCENT/SETTING
1	LED Operation	000 ⇄ 009	No function
		010 ⇄ 119	Auto mixed mode 1, fast to slow
		120 ⇄ 229	Auto mixed mode 2, fast to slow
		230 ⇄ 234	Sound mixed mode 1
		235 ⇄ 239	Sound mixed mode 2
		240 ⇄ 255	Show setting, when channels 2 and 3 activated
2	Operation	000 ⇄ 009	No function
		010 ⇄ 026	Pars on ONLY, doing all single Par show
		027 ⇄ 043	Derby Lights on ONLY
		044 ⇄ 060	Strobes on ONLY, doing all single strobe show
		061 ⇄ 077	Auto Pars and Derby Lights ONLY
		078 ⇄ 094	Auto Pars and strobes ONLY
		095 ⇄ 111	Auto strobes and Derby Lights ONLY
		112 ⇄ 128	Pars, Derby Lights, and strobes
		129 ⇄ 145	Sound Par effect
		146 ⇄ 161	Sound Derby effect
		162 ⇄ 178	Sound strobe effect
		179 ⇄ 196	Sound Par + Derby
		197 ⇄ 213	Sound Par + strobe
		214 ⇄ 230	Sound Derby + strobe
231 ⇄ 255	Sound pars, Derby and strobes		
3	Auto Speed	000 ⇄ 255	Speed, when 061–111 in channel 2

Configuration (Standalone)

Set the product in one of the standalone modes to control without a DMX controller.



Never connect a product that is operating in any standalone mode to a DMX string connected to a DMX controller. Products in standalone mode may transmit DMX signals that could interfere with the DMX signals from the controller.

Sound Mixed Effect Sound-Active Mode

To enable the sound mixed effect (Sound-Active All) mode, do the following:

1. Press **<MENU>** repeatedly until **SM**** blinks on the display.
2. Press **<ENTER>**.
3. Use **<UP>** or **<DOWN>** to select the desired Sound-Active mode (**SM01** or **SM02**).
4. Press **<ENTER>** to put the fixture into the selected Sound-Active mode.
5. Use **<UP>** or **<DOWN>** to adjust the mode speed, **F 01** (fast) to **F 99** (slow).
6. Press **<ENTER>**.
 - Turn the music on and adjust the sound sensitivity knob until the product starts responding to the beat of the music.



The product will only respond to low frequencies of music (bass and drums).

Auto Mixed Effect Automatic Mode

To enable the auto mixed effect (Automatic All) mode, follow the instructions below:

1. Press **<MENU>** repeatedly until **AM**** blinks on the display.
2. Press **<ENTER>**.
3. Use **<UP>** or **<DOWN>** to select the desired Sound-Active mode (**AM01** or **AM02**).
4. Press **<ENTER>** to put the fixture into the selected Sound-Active mode.
5. Use **<UP>** or **<DOWN>** to adjust the mode speed, **F 01** (fast) to **F 99** (slow).
6. Press **<ENTER>**.

Show Settings

To choose mixed style effect shows or Par-only effects, follow the instructions below and refer to the **Menu Map** for programming steps:

1. Press **<MENU>** repeatedly until **SHOW** blinks on the display.
2. Press **<ENTER>** to next programming level.
3. Use **<UP>** or **<DOWN>** to scroll through the different individual Auto or Sound show options.
4. Press **<ENTER>** to put the fixture into the selected mode.
5. Use **<UP>** or **<DOWN>** to adjust the mode speed, **F 01** (fast) to **F 99** (slow).
6. Press **<ENTER>**.

Master/Slave Mode

The Master/Slave mode allows a single GigBAR Flex product (the “master”) to control the actions of one or more GigBAR Flex products (the “slaves”) without the need of a DMX controller. The master product will be set to operate in either Stand-Alone mode or with the IRC-6, while the slave products will be set to operate in Slave mode. Once set and connected, the slave products will operate in unison with the master product. Configure the products as indicated below.

Slave products:

1. Press **<MENU>** repeatedly until **Slav** shows on the display.
2. Press **<ENTER>** to put the fixture in Slave mode. The display will continue to blink.
3. Repeat steps 1 and 2 for every slave.
4. Connect the DMX output of the first slave unit to the DMX input of the next slave unit.
5. Connect the DMX input of each subsequent slave unit to the DMX output of the previous slave unit.

Master product:

1. Connect the DMX output of the master to the DMX input of the first slave unit.
2. Set the master unit to operate in either Automatic or Sound-Active mode.
 - **The display on the slaves will continue to blink until the slaves are receiving a DMX signal from the master.**
 - **Make sure the master is the first unit in the DMX chain.**
 - **Configure all the slave products before connecting the master to the daisy chain.**
 - **Never connect a DMX controller to a DMX string configured for Master/Slave operation because the controller may interfere with the signals from the master.**
 - **Do not connect more than 31 slaves to the master.**



IRC-6 Infrared Remote Control

The GigBAR Flex is compatible with the IRC-6 infrared remote control from Chauvet. To activate IR mode, follow the instructions below:

1. Press **<MENU>** repeatedly until **XXX** shows on the display.
2. Press **<ENTER>** to accept.
3. Press **<UP>** or **<DOWN>** to select **On** or **OFF**.
4. Press **<ENTER>**.

IRC-6 Operation



Automatic Mode

Automatic mode will enable you to run the automatic programs on the product.

To turn on Automatic mode:

1. Press **<AUTO>** on the IRC-6.
2. Press **<+>** or **<->** to choose between the different auto programs

To adjust the speed of the automatic program:

1. Press **<SPEED>** on the IRC-6.
2. Press **<+>** or **<->** to increase or decrease the speed of the program.

Sound-Active Mode

Sound-Active mode will enable the product to respond to the music.

To turn on Sound-Active mode:

1. Press **<SOUND>** on the IRC-6.
2. Press **<+>** or **<->** to select Snd1 or Snd2.

To adjust sound sensitivity in Sound-Active mode:

1. Press **<SENSITIVITY>** on the IRC-6.
2. Press **<+>** or **<->** to increase or decrease the sound sensitivity.

Manual Color Control

To choose a specific color with the IRC-6:

1. Press **<MANUAL>** on the IRC-6.
2. Press any number between **<0>**~**<9>** to choose your color.

To manually control the RGB percentage:

1. Press **<MANUAL>** on the IRC-6.
2. Press **<R>** (red), **<G>** (green), **** (blue), **<A>** (amber), **<UV>**/**<P>** (UV), or **<W>** (white) to choose your color.
3. Press **<+>** or **<->** to increase or decrease the percentage of each color.

Miscellaneous Operation

To adjust the total output level:

1. Press **<%>** on the IRC-6.
2. Press **<+>** or **<->** to increase or decrease the output level.

To adjust the strobe rate of the program:

1. Press **<STROBE>** on the IRC-6.
2. Press **<+>** or **<->** to increase or decrease the strobe rate.
3. Press **<STROBE>** again to turn off the strobe.

To select only fading programs:

1. Press **<FADE>** on the IRC-6.
2. Press **<+>** or **<->** to increase or decrease the fade rate.

To black out the lights:

1. Press **<BLACK OUT>** on the IRC-6.

This will turn off all the lights until the button is pressed again.

NOTE: The IRC-6 will not respond to any inputs when Black Out is activated. If the remote does not respond when a button is pressed, try pressing **<BLACK OUT>**. You may have inadvertently activated Black Out.

Wireless Foot-Switch Operation

The included wireless foot-switch provides quick access to preset colors, color-change programs, and sound-activation through the GigBAR Flex microphone. To use the foot-switch:

1. Connect the GigBAR Flex to power. Turn the wireless foot-switch on.
2. Raise the wireless antennas located on the GigBAR Flex and the foot-switch.
3. Press pedal #1 (Auto) to activate Auto program controls. When working, all the lights will begin in Auto mode (**AM01**).
4. Use the chart below to activate the desired function..

PEDAL	ACTION	FUNCTION
1 (Auto)	1 x press	Auto mode Pars, Derby Lights and strobes (AM01)
	2 x press	AP01
	3 x press	AP02
	4 x press	AK01
	5 x press	APK1
2 (Sound)	1 x press	Auto mode Pars, Derby Lights and strobes (SM01)
	2 x press	SP01
	3 x press	SP02
	4 x press	SK01
	5 x press	SPK1
3 (Color)	1 x press	Red, no strobe
	2 x press	Green, no strobe
	3 x press	Blue, no strobe
	4 x press	UV, no strobe
	5 x press	Yellow, no strobe
	6 x press	Pink, no strobe
	7 x press	Cyan, no strobe
	8 x press	Dark Pink, no strobe
	9 x press	Dark Blue, no strobe
	10 x press	White, no strobe
4 (Blackout)	N/A	Immediately turns OFF all the light fixtures



The GigBAR Flex footswitch will work properly in any mode, with a maximum unobstructed distance of 50 ft (15.24 m). You must turn on the WiFi on the GigBAR Flex before using the footswitch.

5. MAINTENANCE

Product Maintenance

Dust build-up reduces light output performance and can cause overheating. This can lead to reduction of the light source's life and/or mechanical wear. To maintain optimum performance and minimize wear, clean your lighting products at least twice a month. However, be aware that usage and environmental conditions could be contributing factors to increase the cleaning frequency.

To clean the product, follow the instructions below:

1. Unplug the product from power.
2. Wait until the product is at room temperature.
3. Use a vacuum (or dry compressed air) and a soft brush to remove dust collected on the external surface/vents.
4. Clean all transparent surfaces with a mild soap solution, ammonia-free glass cleaner, or isopropyl alcohol.
5. Apply the solution directly to a soft, lint free cotton cloth or a lens cleaning tissue.
6. Softly drag any dirt or grime to the outside of the transparent surface.
7. Gently polish the transparent surfaces until they are free of haze and lint.



Always dry the transparent surfaces carefully after cleaning them.

6. TECHNICAL SPECIFICATIONS

Dimensions and Weight

LENGTH	WIDTH	HEIGHT	WEIGHT
37 in (949 mm)	4 in (110 mm)	15 in (388 mm)	11 lb (5 kg)

Note: Dimensions in inches rounded to the nearest hundredth.

Power

POWER SUPPLY TYPE	RANGE	VOLTAGE SELECTION
Switching (internal)	100 to 240 VAC, 50/60 Hz	Auto-ranging

PARAMETER	120 V, 60 Hz	230 V, 50 Hz
Consumption	45 W	46 W
Operating Current	0.7 A	0.4 A
Power linking current (products)	8 A (12 products)	8 A (22 products)
Fuse	T 1.6 A, 250 V	T 1.6 A, 250 V

POWER I/O	U.S./CANADA	WORLDWIDE
Power input connector	IEC	IEC
Power output connector	Edison	IEC
Power Cord plug	Edison (U.S.)	Local Plug

Light Source (Pars)

TYPE	POWER	LIFESPAN
LED	3.5 W	50,000 hours

COLOR	QUANTITY	CURRENT
Quad-color RGB+UV	6	1 A

Light Source (Strobe)

TYPE	POWER	LIFESPAN
LED	5 W	50,000 hours

COLOR	QUANTITY	CURRENT
White + UV	4	1.5 A

Light Source (Derby)

TYPE	POWER	LIFESPAN
LED	5 W	50,000 hours

COLOR	QUANTITY	CURRENT
Tri-color RGB	6	1.6 A

Photometrics

PARAMETER	PAR VALUE	STROBE VALUE	DERBY VALUE
Strobe Rate	0 to 18 Hz	0 to 18 Hz	0 to 18 Hz
Beam Angle	13°	8°	N/a
Coverage Angle	N/a	N/a	114°
Field Angle	24°	18°	N/a
Illuminance @ 2 m	1,078 lux	86 lux	N/a

Thermal

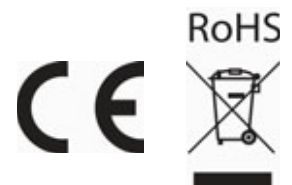
MAXIMUM EXTERNAL TEMPERATURE	COOLING SYSTEM
104 °F (40 °C)	Convection

DMX

I/O CONNECTOR	CHANNEL RANGE
3-pin XLR	3, 8 or 20

Ordering

PRODUCT NAME	ITEM CODE	UPC NUMBER
GigBAR Flex	10051419	781462217679



RETURNS

In case you need to get support or return a product:

- If you are located in the U.S., contact Chauvet World Headquarters.
- If you are located in the UK or Ireland, contact Chauvet Europe Ltd.
- If you are located in Mexico, contact Chauvet Mexico.
- If you are located in Benelux, contact Chauvet Europe BVBA.
- If you are located in any other country, DO NOT contact Chauvet. Instead, contact your local distributor. See www.chauvetdj.com for distributors outside the U.S., UK, Ireland, Mexico, or Benelux.



If you are located outside the U.S., UK, Ireland, Mexico, or Benelux, contact your distributor of record and follow their instructions on how to return Chauvet products to them. Visit our website www.chauvetdj.com for contact details.

Call the corresponding Chauvet Technical Support office and request a Return Merchandise Authorization (RMA) number before shipping the product. Be prepared to provide the model number, serial number, and a brief description of the cause for the return.

Send the merchandise prepaid, in its original box, and with its original packing and accessories. Chauvet will not issue call tags.

Clearly label the package with the RMA number. Chauvet will refuse any product returned without an RMA number.



Write the RMA number on a properly affixed label. DO NOT write the RMA number directly on the box.

Before sending the product, clearly write the following information on a piece of paper and place it inside the box:

- Your name
- Your address
- Your phone number
- RMA number
- A brief description of the problem

Be sure to pack the product properly. Any shipping damage resulting from inadequate packaging will be your responsibility. FedEx packing or double-boxing are recommended.



Chauvet reserves the right to use its own discretion to repair or replace returned product(s).

CONTACT US

World Headquarters	
General Information	Technical Support
Address: 5200 NW 108th Ave. Sunrise, FL 33351 Voice: (954) 577-4455 Fax: (954) 929-5560 Toll Free: (800) 762-1084	Voice: (844) 393-7575 Fax: (954) 756-8015 Email: chauvetcs@chauvetlighting.com
	Website www.chauvetlighting.com
EUROPE	
General Information	Technical Support
Address: Stokstraat 18 9770 Kruishoutem Belgium Voice: +32 9 388 93 97	Email: eutech@chauvetlighting.eu
	Website www.chauvetlighting.eu
General Information	Technical Support
Address: Unit 1C Brookhill Road Industrial Estate Pinxton, Nottingham, UK NG16 6NT Voice: +44 (0) 1773 511115 Fax: +44 (0) 1773 511110	Email: uktech@chauvetlighting.com
	Website www.chauvetlighting.co.uk
MEXICO	
General Information	Technical Support
Address: Av. de las Partidas 34, 3-B (Entrance by Calle 2) Zona Industrial Lerma Lerma, Edo. de México, CP 52000 Voice: +52 (728) 690-2010	Email: servicio@chauvet.com.mx
	Website www.chauvet.com.mx

Visit the applicable website above to verify our contact information and instructions to request support. Outside the U.S., United Kingdom, Ireland, Mexico or Benelux, contact the dealer of record.