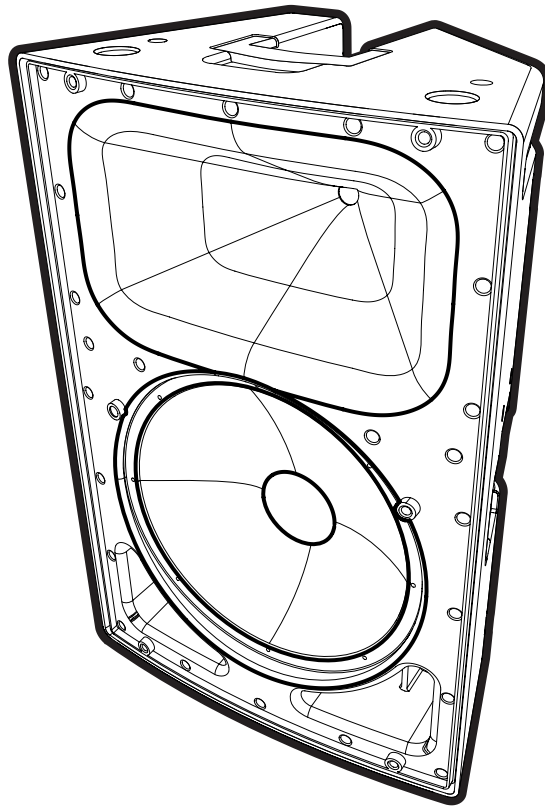




PARASOURCE SERIES

PS10P • PS12P • PS15P



Owner's Manual
Manuel de L'Utilisateur

MODEL TYPE: YS1111

IMPORTANT SAFETY INSTRUCTIONS



This lightning flash with arrowhead symbol, within an equilateral triangle, is intended to alert the user to the presence of uninsulated "dangerous voltage" within the product's enclosure that may be of sufficient magnitude to constitute a risk of electric shock to persons.

Ce symbole d'éclair avec tête de flèche dans un triangle équilatéral est prévu pour alerter l'utilisateur de la présence d'un « voltage dangereux » non-isolé à proximité de l'enceinte du produit qui pourrait être d'ampleur suffisante pour présenter un risque de choc électrique.



CAUTION AVIS

**RISK OF ELECTRIC SHOCK
DO NOT OPEN**

**RISQUE DE CHOC ELECTRIQUE
NE PAS OUVRIR**



Caution: hot surface
Attention: surface chaude

IEC 60417-5041



The exclamation point within an equilateral triangle is intended to alert the user to the presence of important operating and maintenance (servicing) instructions in the literature accompanying the appliance.



Le point d'exclamation à l'intérieur d'un triangle équilatéral est prévu pour alerter l'utilisateur de la présence d'instructions importantes dans la littérature accompagnant l'appareil en ce qui concerne l'opération et la maintenance de cet appareil.

FOLLOW ALL INSTRUCTIONS

**Instructions pertaining to a risk of fire,
electric shock, or injury to a person**

**CAUTION: TO REDUCE THE RISK OF ELECTRIC
SHOCK, DO NOT REMOVE COVER (OR BACK).**

NO USER SERVICEABLE PARTS INSIDE.

REFER SERVICING TO QUALIFIED SERVICE PERSONNEL.

THIS DEVICE IS FOR INDOOR USE ONLY!

SUIVEZ TOUTES LES INSTRUCTIONS

**Instructions relatives au risque de feu,
choc électrique, ou blessures aux personnes**

**AVIS: AFIN DE REDUIRE LES RISQUE DE CHOC ELECTRIQUE,
N'ENLEVEZ PAS LE COUVERT (OU LE PANNEAU ARRIERE)**

NE CONTIENT AUCUNE PIECE REPARABLE PAR L'UTILISATEUR.

CONSULTEZ UN TECHNICIEN QUALIFIE POUR L'ENTRETIEN

CE PRODUIT EST POUR L'USAGE A L'INTERIEUR SEULEMENT

Read Instructions: The Owner's Manual should be read and understood before operation of your unit. Please, save these instructions for future reference and heed all warnings.

Clean only with dry cloth.

Packaging: Keep the box and packaging materials, in case the unit needs to be returned for service.

Warning: To reduce the risk of fire or electric shock, do not expose this apparatus to rain or moisture. *Do not use this apparatus near water!*

Warning: When using electric products, basic precautions should always be followed, including the following:

Power Sources

Your unit should be connected to a power source only of the voltage specified in the owners manual or as marked on the unit. This unit has a polarized plug. Do not use with an extension cord or receptacle unless the plug can be fully inserted. Precautions should be taken so that the grounding scheme on the unit is not defeated. An apparatus with CLASS I construction shall be connected to a Mains socket outlet with a protective earthing ground. Where the MAINS plug or an appliance coupler is used as the disconnect device, the disconnect device shall remain readily operable.

Hazards

Do not place this product on an unstable cart, stand, tripod, bracket or table. The product may fall, causing serious personal injury and serious damage to the product. Use only with cart, stand, tripod, bracket, or table recommended by the manufacturer or sold with the product. Follow the manufacturer's instructions when installing the product and use mounting accessories recommended by the manufacturer. Only use attachments/accessories specified by the manufacturer

Note: Prolonged use of headphones at a high volume may cause health damage on your ears.

The apparatus should not be exposed to dripping or splashing water; no objects filled with liquids should be placed on the apparatus.

Terminals marked with the "lightning bolt" are hazardous live; the external wiring connected to these terminals require installation by an instructed person or the use of ready made leads or cords.

Ensure that proper ventilation is provided around the appliance. Do not install near any heat sources such as radiators, heat registers, stoves, or other apparatus (including amplifiers) that produce heat.

No naked flame sources, such as lighted candles, should be placed on the apparatus.

Power Cord

Do not defeat the safety purpose of the polarized or grounding-type plug. A polarized plug has two blades with one wider than the other. A grounding type plug has two blades and a third grounding prong. The wide blade or the third prong are provided for your safety. If the provided plug does not fit into your outlet, consult an electrician for replacement of the obsolete outlet. The AC supply cord should be routed so that it is unlikely that it will be damaged. Protect the power cord from being walked on or pinched particularly at plugs. If the AC supply cord is damaged DO NOT OPERATE THE UNIT. To completely disconnect this apparatus from the AC Mains, disconnect the power supply cord plug from the AC receptacle. The mains plug of the power supply cord shall remain readily operable.

Unplug this apparatus during lightning storms or when unused for long periods of time.

Service

The unit should be serviced only by qualified service personnel. Servicing is required when the apparatus has been damaged in any way, such as power-supply cord or plug is damaged, liquid has been spilled or objects have fallen into the apparatus, the apparatus has been exposed to rain or moisture, does not operate normally, or has been dropped.

Veillez Lire le Manuel: Il contient des informations qui devraient étre comprises avant l'opération de votre appareil. Conservez. Gardez S.V.P. ces instructions pour consultations ultérieures et observez tous les avertissements.

Nettoyez seulement avec le tissu sec.

Emballage: Conservez la boîte au cas où l'appareil devait étre retourner pour réparation.

Avertissement: Pour réduire le risque de feu ou la décharge électrique, n'exposez pas cet appareil à la pluie ou à l'humidité. *N'utilisez pas cet appareil près de l'eau!*

Attention: Lors de l'utilisation de produits électrique, assurez-vous d'adhérer à des précautions de bases incluant celle qui suivent:

Alimentation

L'appareil ne doit étre branché qu'à une source d'alimentation correspondant au voltage spécifié dans le manuel ou tel qu'indiqué sur l'appareil. Cet appareil est équipé d'une prise d'alimentation polarisée. Ne pas utiliser cet appareil avec un cordon de raccordement à moins qu'il soit possible d'insérer complètement les trois lames. Des précautions doivent étre prises afin d'éviter que le système de mise à la terre de l'appareil ne soit désengagé. Un appareil construit selon les normes de CLASS I devrait étre raccordé à une prise murale d'alimentation avec connexion intacte de mise à la masse. Lorsqu'une prise de branchement ou un coupleur d'appareils est utilisée comme dispositif de débranchement, ce dispositif de débranchement devra demeurer pleinement fonctionnel avec raccordement à la masse.

Risque

Ne pas placer cet appareil sur un chariot, un support, un trépied ou une table instables. L'appareil pourrait tomber et blesser quelqu'un ou subir des dommages importants. Utiliser seulement un chariot, un support, un trépied ou une table recommandés par le fabricant ou vendus avec le produit. Suivre les instructions du fabricant pour installer l'appareil et utiliser les accessoires recommandés par le fabricant. Utilisez seulement les attachements/accessoires indiqués par le fabricant

Note: L'utilisation prolongée des écouteurs à un volume élevé peut avoir des conséquences néfastes sur la santé sur vos oreilles. .

Il convient de ne pas placer sur l'appareil de sources de flammes nues, telles que des bougies allumées.

L'appel ne doit pas étre exposé à des égouttements d'eau ou des éclaboussures et qu'aucun objet rempli de liquide tel que des vases ne doit étre placé sur l'appareil.

Assurez que l'appareil est fourni de la propre ventilation. Ne procédez pas à l'installation près de source de chaleur tels que radiateurs, registre de chaleur, fours ou autres appareils (incluant les amplificateurs) qui produisent de la chaleur.

Les dispositifs marqués d'une symbole "d'éclair" sont des parties dangereuses au toucher et que les câblages extérieurs connectés à ces dispositifs de connexion extérieure doivent étre effectués par un opérateur formé ou en utilisant des cordons déjà préparés.

Cordon d'Alimentation

Ne pas enlever le dispositif de sécurité sur la prise polarisée ou la prise avec tige de mise à la masse du cordon d'alimentation. Une prise polarisée dispose de deux lames dont une plus large que l'autre. Une prise avec tige de mise à la masse dispose de deux lames en plus d'une troisième tige qui connecte à la masse. La lame plus large ou la tige de mise à la masse est prévu pour votre sécurité. La prise murale est désuète si elle n'est pas conçue pour accepter ce type de prise avec dispositif de sécurité. Dans ce cas, contactez un électricien pour faire remplacer la prise murale. Évitez d'endommager le cordon d'alimentation. Protégez le cordon d'alimentation. Assurez-vous qu'on ne marche pas dessus et qu'on ne le pince pas en particulier aux prises. N'UTILISEZ PAS L'APPAREIL si le cordon d'alimentation est endommagé. Pour débrancher complètement cet appareil de l'alimentation CA principale, déconnectez le cordon d'alimentation de la prise d'alimentation murale. Le cordon d'alimentation du bloc d'alimentation de l'appareil doit demeurer pleinement fonctionnel.

Débranchez cet appareil durant les orages ou si inutilisé pendant de longues périodes.

Service

Consultez un technicien qualifié pour l'entretien de votre appareil. L'entretien est nécessaire quand l'appareil a été endommagé de quelque façon que se soit. Par exemple si le cordon d'alimentation ou la prise du cordon sont endommagés, si il y a eu du liquide qui a été renversé à l'intérieur ou des objets sont tombés dans l'appareil, si l'appareil a été exposé à la pluie ou à l'humidité, si il ne fonctionne pas normalement, ou a été échappé.

IMPORTANT SAFETY INSTRUCTIONS (UL60065)



The Lightning Flash with arrowhead symbol within an equilateral triangle, is intended to alert the user to the presence of uninsulated "dangerous voltage" within the product enclosure that may be of sufficient magnitude to constitute a risk of shock to persons.

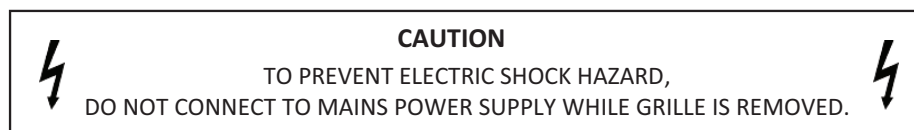


The exclamation point within an equilateral triangle is intended to alert the user to the presence of important operating and maintenance (servicing) instructions in the literature accompanying the product

- 1) Read these instructions.
- 2) Keep these instructions.
- 3) Heed all warnings.
- 4) Follow all instructions.
- 5) Do not use this apparatus near water.
- 6) Clean only with dry cloth.
- 7) Do not block any ventilation openings. Install in accordance with the manufacturer's instructions.
- 8) Do not install near any heat sources such as radiators, heat registers, stoves, or other apparatus (including amplifiers) that produce heat.
- 9) Do not defeat the safety purpose of the polarized or grounding-type plug. A polarized plug has two blades with one wider than the other. A grounding type plug has two blades and a third grounding prong. The wide blade or the third prongs are provided for your safety. If the provided plug does not fit into your outlet, consult an electrician for replacement of the obsolete outlet.
- 10) Protect the power cord from being walked on or pinched particularly at plugs, convenience receptacles, and the point where they exit from the apparatus.
- 11) Only use attachments/accessories specified by the manufacturer.
- 12) Use only with the cart, stand, tripod, bracket, or table specified by the manufacturer, or sold with the apparatus. When a cart is used, use caution when moving the cart/apparatus combination to avoid injury from tip-over.
- 13) Unplug this apparatus during lightning storms or when unused for long periods of time.
- 14) Refer all servicing to qualified service personnel. Servicing is required when the apparatus has been damaged in any way, such as power-supply cord or plug is damaged, liquid has been spilled or objects have fallen into the apparatus, the apparatus has been exposed to rain or moisture, does not operate normally, or has been dropped.

WARNING:

- To reduce the risk of fire or electric shock, do not expose this apparatus to rain or moisture and objects filled with liquids, such as vases, should not be placed on this apparatus.
- To completely disconnect this apparatus from the ac mains, disconnect the power supply cord plug from the ac receptacle.
- The mains plug of the power supply cord or appliance coupler shall remain readily accessible.



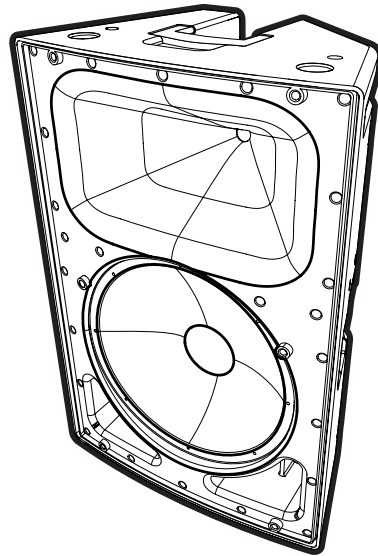


PARASOURCE SERIES

PS10P • PS12P • PS15P

Parasource Active Speaker Features

- PS10P: Integrated 1600 Watt Amplifier (1600W Peak/800W Program)
- PS12P & PS15P: Integrated 4400 Watt Amplifier (4400W Peak/1400W Program)
- PS10P: 10-inch Woofer with 2-inch Voicecoil
- PS12P: 12-inch Woofer with 3-inch Voicecoil
- PS15P: 15-inch Woofer with 3-inch Voicecoil
- 38mm Compression Driver / 1-inch Exit with Thermal and Peak Protection
- PS10P: 90° x 70° Horn
- PS12P & PS15P: 85° x 50° Horn
- PS10P: Max SPL 127dB Peak (124dB Continuous)
- PS12P: Max SPL 133dB Peak (128dB Continuous)
- PS15P: Max SPL 134dB Peak (129dB Continuous)
- High Efficiency Bi-Amplified Class-D Power Module
- Passive Cooling Scheme (No Loud Fans Required)
- Designed for Front-of-House or Monitor Applications
- Integrated Two Channel Mini Mixer with XLR Microphone, 1/4-inch and RCA Line Inputs
- Multiband Limiting Delivers Extremely Transparent Listening Experience (Vocals Are Not Modulated By Bass)
- Ergonomic All Metal Handles
- Integrated All Metal Speaker Standmount Adaptor
- Integrated Reinforced Flypoints
- Lightweight ABS Cabinet Construction
- *Made in Canada*



Parasource Active Full Range Loudspeakers

The Yorkville Parasource Series of active speaker enclosures are the culmination of Yorkville Sound's 50 years of experience designing and manufacturing professional audio equipment. Every aspect of these cabinets, from the hardware and components to the power electronics and processing, represent years of engineering and considerable advancements over previous generations. The result is a modern workhorse that can be considered to be an industry leader.

*These Parasource products are designed and built in Canada.
We feel they are so well built that we give a 2-year unlimited warranty.*

The Amplifier

At the heart of the powered enclosures are the all new Parasource amplifiers. The Parasource amps have been designed for increased output while minimizing size and weight. Further reductions in weight have been achieved by developing an efficient switching power supply to feed the amps. Housed in a custom die-cast aluminum chassis, the Parasource amplifiers is designed to passively dissipate its heat, eliminating the need for a noisy fan.



The PS10P uses a 400 watt (800 watts peak) amplifier to drive the 10-inch long throw woofer (2-inch voice coil) and a 400 watt (800 watts peak) amp on the 38 mm voicecoil (1-inch exit) compression driver.

The PS12P uses a 950 watt (3500 watts peak) amplifier to drive the 12-inch long throw woofer (3-inch voice coil) and a 450 watt (900 watts peak) amp on the 38 mm voicecoil (1-inch exit) compression driver.

The PS15P uses a 950 watt (3500 watts peak) amplifier to drive the 15-inch long throw woofer (3-inch voice coil) and a 450 watt (900 watts peak) amp on the 38 mm voicecoil (1-inch exit) compression driver.

The Digital Signal Processor

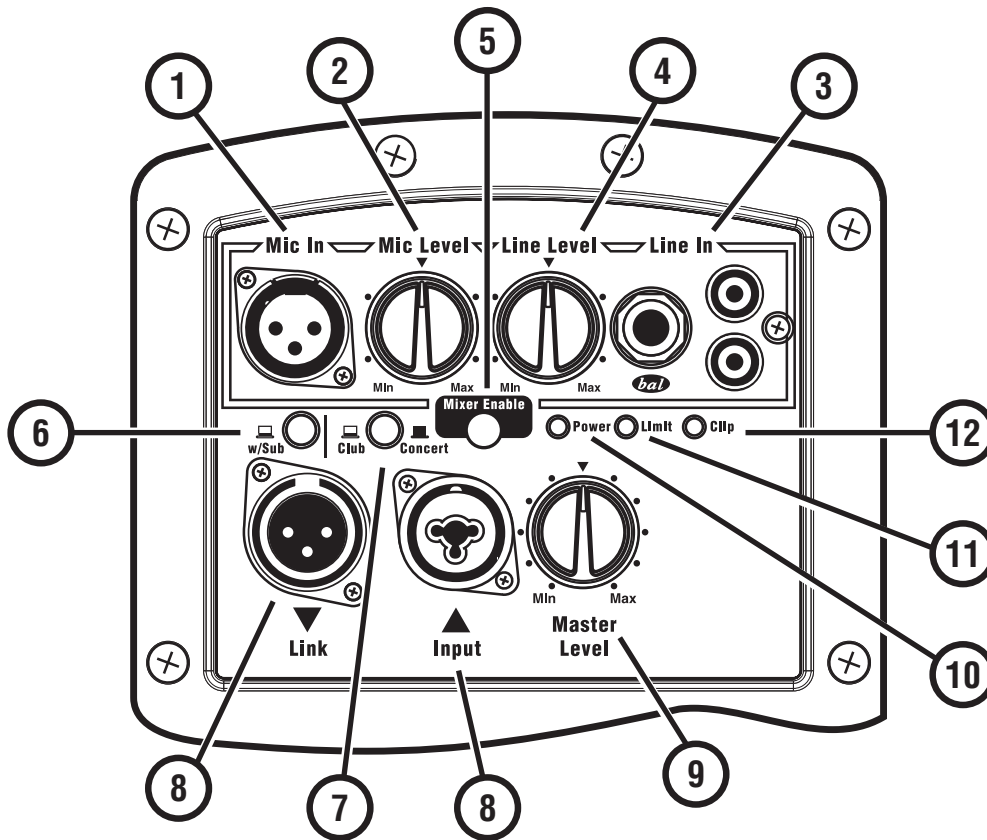
All signals going into the Parasource amplifiers pass through a DSP running Yorkville's latest filter processing software. An automatic input gain ranging scheme allows for a wide dynamic range without the risk of clipping or increased audio converter noise. The Club and Concert modes help choose between increased low frequency content and extended horn output. Internal multi-band audio limiting makes it possible to limit several audio bands separately. This solves the problem of a kick drum pulse affecting the level of other instruments or vocals. Additional limiters are employed to ensure the power of the amplifiers is safely delivered to the speakers without exceeding their power handling capabilities.

The Cabinet

The cabinet of the Parasource enclosure is formed in ABS plastic. Internal bracing allows for a lighter cabinet while ensuring cabinet resonances are minimized. The newly designed conical horns (90°x70° on the PS10P and 85°x50° on the PS12P and PS15P) offer an extended horizontal dispersion pattern delivering better off-axis coverage for the mid and high frequencies. Cast handles and molded pick up points make the cabinet easy to move. The cabinets also feature embedded fly points allowing for safe hanging for installs.

Operation

The Parasource enclosures are bi-amped full-range loudspeakers with a built-in two channel mixer. Multiple Parasource cabinets can be connected through the Link option. If you're using a Parasource enclosure with an external mixer the internal mixer can be disabled. The built-in mixer has a microphone input and a line level input which sums a ¼-inch balanced jack and mono-summed RCA jack. Advanced signal processing is used to provide maximum performance at all levels. There's a switch to provide low frequency rolloff (if using the Parasource enclosure with a subwoofer) and a Club/Concert switch for application specific equalization.



Built-In Two Channel Mixer

1. Mic In

Any dynamic microphone can be connected to the Mic input. Condenser microphones will require an external power supply.

2. Mic Level

The Mic Level control adjusts the volume level of the Mic input. The microphone signal output to other cabinets through the link connections will be affected as well.

3. Line In

The Line inputs allow line level sources such as portable music players and keyboards to be connected. These RCA inputs are summed to allow the blending of stereo sources into mono. The 1/4-inch input is also balanced to help reject hum (when used with balanced cables). This input may be used to allow operation from lower-level Line inputs (as opposed to the Link jacks).

4. Line Level

The Line control adjusts the volume level of devices plugged into the 1/4-inch and RCA line inputs. The signal out from this device, through the link connections, to other cabinets will be affected as well. A line-level signal and microphone connected simultaneously will be electronically summed allowing both to work together.

5. Mixer Defeat

The Mixer Defeat switch disables the on board mixer on the Parasource enclosure. For best noise performance when the Parasource enclosure's mixer is not being use, set the switch to defeat.



**Note: Parasource enclosures have been designed to connect multiple Parasource enclosures via the Inputs and Link Outputs. When linking the Parasource enclosures, a maximum of 3 of internal mixers can be used (enabled) allowing up to 3 microphones and 3 line sources to be mixed without the need of an external mixer. This is useful for smaller music engagements, meetings, seminars, etc..*

Parasource System Control

6. Sub In/Out Mode

When using a subwoofer the Sub In/Out LF rolloff switch disables the low frequency boost and filters out signals below 100 Hz. It's not necessary to use this switch for speech applications because the Mic input already has a high pass filter. This switch only affects the signals to the internal amplifier and does not affect signals going out from the internal mixer, or signals passing through the Link connections.

7. Club/Concert Mode

The Club/Concert Mode switch allows the Parasource enclosure to be quickly configured for the venue and/or type of source content. The Club mode enhances bass frequencies before the onset of limiting. Once the cabinet begins to limit, this enhancement is reduced to prevent more severe limiting. The Concert mode forgoes the bass boost and relaxes the horn peak limiter by 4dB, allowing for a longer throw from the cabinet.

8. Link XLR and Input Combi Connector

The Link jacks are in parallel, enabling multiple Parasource enclosures (or any other powered cabinets, like powered subwoofers) to be connected together. The Link jacks are the correct input to use when driving the Parasource enclosure from an external mixer. The Link jacks operate at line level (+4 dBv) to achieve full power. When operating from weaker signals, it's suggested to use the Line inputs of the first cabinet in the chain.

Note: The Link jacks are high quality balanced inputs with very good common mode (hum) rejection. To ensure maximum hum rejection, the proper balanced cables must be used. The Jack marked LINK is connected in parallel with the INPUT and are provided for convenience to connect downstream cabinets. Link inputs may also be used as outputs and link outputs may be used as inputs.

9. Level Control

The Level control adjusts the volume of the individual Parasource enclosure and allows each cabinet, linked in a chain, to be individually adjusted. This control does not adjust the level of the Link jacks.

System Power and Status

10. Green Power LED

The green Power LED illuminates when the AC power is on and the unit is ready.

11. Yellow Limit LED

This yellow LED indicates that the limiter(s) are actively managing the signal level and the unit is operating at full power. It's okay to operate while limiting as long as the red Clip LED is not constantly on. There are separate limiters for the woofer and horn. This LED will indicate operation of either limiter. The Limit LED does not indicate low frequency processing action.

12. Red Clip LED

The illumination of this red LED indicates that the signal level is excessive and may cause distortion. Reduce mixer levels or turn down the level of your source to reduce clipping.

13. Power Switch

The power switch turns the power On and Off for the enclosure.

14. Circuit Breaker

The circuit breaker should never blow, even in extreme operating conditions. A tripped breaker will generally mean there's a serious fault with the unit. If the circuit breaker trips repeatedly, bring the unit to a qualified Yorkville technician to have your cabinet serviced.



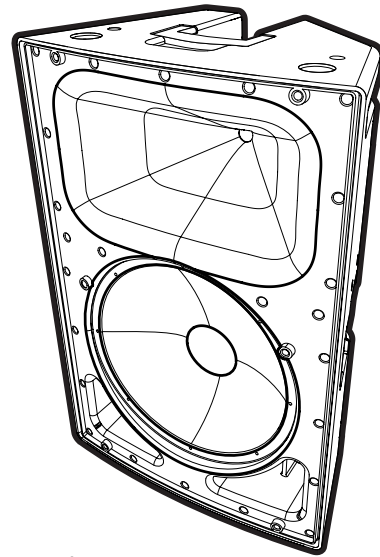
PARASOURCE SERIES

PS10P • PS12P • PS15P

Parasource Active

Caractéristiques de l'Enceinte

- PS10P: ampli intégré 1600 Watts (1600W pointe/800W programme)
- PS12P & PS15P: ampli intégré 4400 Watt (4400W pointe /1400W programme)
- PS10P: Woofer de 10 pouces avec Bobine de 2 pouces
- PS12P: Woofer de 12 pouces avec Bobine de 3 pouces
- PS15P: Woofer de 15 pouces avec Bobine de 2 pouces
- Driver à Compression de 38mm / sortie 1 pouce avec Protection de pointe et thermique
- PS10P: Pavillon 90° x 70°
- PS12P & PS15P: Pavillon 85° x 50°
- PS10P: NPA Max 127dB Pointe (124dB Continu)
- PS12P: NPA Max 133dB Pointe (128dB Continu)
- PS15P: NPA Max 134dB Pointe (129dB Continu)
- Module de Puissance Classe D Bi-amplifié Haute Efficacité
- Régime de refroidissement passif (aucun ventilateur bruyant requis)
- Conçu pour être utilisé comme mixeur pour la sale ou pour les moniteurs
- Mini mixeur à deux cadeaux intégrés munis de prise d'entrée pour microphone XLR, Entrées Ligne ¼ de pouce et RCA
- Le limiteur Multi bande offre une expérience d'écoute extrêmement transparente (les voix ne sont pas modulées par la basse)
- Poignées ergonomique entièrement en métal
- Adaptateur intégré entièrement en métal pour support de haut-parleur
- Points de Suspension Intégrés Renforcés
- Construction légère de cabinet en ABS
- *fabricée au Canada*



Haut-Parleurs Actifs Pleine Bande Parasource

La série d'enceintes actives à haut-parleur Yorkville Parasource est l'aboutissement de 50 années d'expérience chez Yorkville Sound dans la conception et la fabrication d'équipement audio professionnel. Tous les aspects de ces enceintes, de la quincaillerie et composants, à la technologie électronique de puissance et de traitement, représente plusieurs années de développement technique et des progrès considérables sur les générations précédentes. Le résultat est un équipement moderne qui peut être considéré comme un leader de l'industrie.

Ces produits Parasource sont conçus et construits au Canada.

Nous croyons qu'ils sont si bien construits que nous offrons une garantie illimitée de 2 ans.

L'Amplificateur

Les nouveaux amplificateurs Parasource sont au cœur des enceintes actives. Les amplificateurs Parasource ont été conçus pour augmenter le niveau de sortie tout en réduisant les dimensions et le poids. Des réductions de poids additionnels ont été obtenues en mettant au point une alimentation à découpage efficace pour alimenter les amplificateurs. Logé dans un châssis en aluminium moulé, les amplificateurs Parasource sont conçus pour dissiper passivement la chaleur, éliminant le besoin d'un ventilateur bruyant.



Le PS10P utilise un amplificateur de 400 watts (800 watts pointe) pour alimenter le haut-parleur à longue portée de 10 pouces (bobine de 2 pouces) et un amplificateur de 400 watts (800 watts pointe) sur le driver compression à bobine de 38 mm (sortie de 1 pouce).

Le PS12P utilise un amplificateur de 950 watts (3500 watts pointe) pour alimenter le haut-parleur à longue portée de 12 pouces (bobine de 3 pouces) et un amplificateur de 450 watts (900 watts pointe) sur le driver compression à bobine de 38 mm (sortie de 1 pouce)

Le PS15P utilise un amplificateur de 950 watts (3500 watts pointe) pour alimenter le haut-parleur à longue portée de 15 pouces (bobine de 3 pouces) et un amplificateur de 450 watts (900 watts pointe) sur le driver compression à bobine de 38 mm (sortie de 1 pouce)

Processeur de Signal Numérique

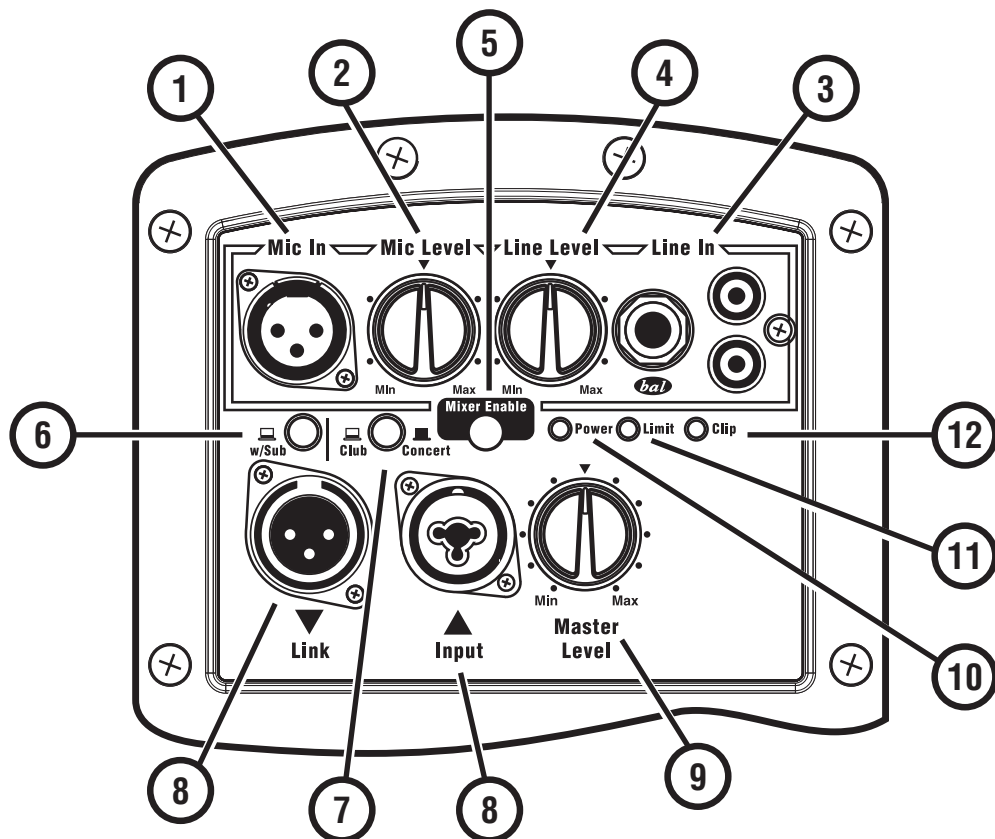
Tous les signaux entrant dans les amplificateurs Parasource sont acheminés à travers un processeur de signal numérique fonctionnant avec le plus récent logiciel de traitement de filtre de Yorkville. Un régime de gain d'entrée automatique permet une gamme dynamique étendue sans risque d'écrêtage ou d'augmentation du niveau de bruit du convertisseur audio. Les mode Club et Concert vous aide à choisir entre le rehaussement des fréquences graves et la sortie du pavillon. Le limiteur audio multi bande interne permet de limiter séparément plusieurs bandes audio. Il empêche ainsi les pulsations de la grosse caisse d'affecter le niveau des autres instruments ou des voix. Des limiteurs supplémentaires sont utilisés pour assurer que la puissance provenant des amplificateurs est acheminée de façon sécuritaire aux enceintes sans excéder leur capacité de puissance.

L'Enceinte

L'enceinte Parasource est formée en plastique ABS. L'entretoisement interne résulte en une enceinte plus légère et assure que les résonances de l'enceinte sont réduites au minimum. Les pavillons coniques nouvellement conçu (90°x70° sur le PS10P et 85°x50° sur les PS12P et PS15P) offre un motif de dispersion horizontale étendue résultant en une meilleure couverture hors de l'axe pour les fréquences moyennes et haute. Les enceintes sont faciles à déplacer grâce à leur poignée forgée et au point de prise moulés. Les enceintes sont aussi munies de points de suspensions intégrées permettant une suspension sécuritaire pour les installations.

Opération

Les enceintes Parasource sont des enceintes bi-amplifiées pleine bande avec mixeur à deux canaux intégré. De multiples enceintes Parasource peuvent être connectées à l'aide de l'option Link. Le mixeur intégré peut-être désactivé si vous utilisez une enceinte Parasource avec un mixeur externe. Le mixeur intégré est muni d'une entrée pour microphone et d'une entrée de niveau ligne. L'entrée de niveau ligne combine les signaux de la prise symétrique ¼ de pouce et d'un ensemble de prise RCA qui est elle-même combinée en un signal mono. Un traitement du signal avancé est utilisé pour fournir une performance maximale à tous les niveaux. L'enceinte dispose d'un sélecteur de pente de diminution des grave (si vous utilisez l'enceinte Parasource avec un subwoofer) et d'un sélecteur Club/Concert pour une égalisation spécifique à l'application.



Mixeur Intégré à Deux Canaux

1. Prise Mic In

N'importe quel microphone dynamique peut être connecté à l'entrée micro. Les microphones à condensateur nécessiteront une alimentation externe.

2. Commande Mic Level

La commande Mic Level ajuste le niveau de volume de l'entrée microphone. La sortie de signal microphone, acheminée à d'autres cabinets par l'entremise des connexions link, sera aussi affectés.

3. Prise Line In

Les entrées ligne permettent le raccordement de source de niveau ligne tel que les lecteurs de musique portable et les claviers. Ces entrées RCA sont additionnées pour permettre le mélange de sources stéréo en mono. L'entrée de ¼ de pouce est aussi équilibrée pour aider à rejeter le bourdonnement (lorsqu'il est utilisé avec les câbles symétriques). Cette entrée peut être utilisé pour permettre l'opération à partir de niveau d'entrée ligne réduit (au lieu d'utiliser une prise Link).

4. Commande de Niveau Line

La commande de niveau Line ajuste le niveau du volume des appareils branchés aux prises ligne ¼ de pouce et RCA. La sortie de signal de ces appareils, à travers les connexions link, acheminée vers d'autres enceintes sera aussi affectée. Les signaux, de niveau ligne et microphone, connectées simultanément seront additionnées électroniquement permettant aux deux de fonctionner ensemble.

5. Sélecteur Mixer Defeat

Le sélecteur Mixer Defeat désengage le mixeur intégré aux enceintes Parasource. Pour obtenir une meilleure performance en ce qui a trait au bruit lorsque le mixeur intégré pas utiliser, régler le sélecteur à la position defeat.



**Note: Les enceintes Parasource ont été conçus pour le raccordement de multiples enceintes Parasource via les entrées et sorties Link. Lorsque vous raccorder ensemble plusieurs enceintes Parasource, un maximum de trois mixeurs intégrés peuvent être utilisés (engagé) permettant le mélange de jusqu'à 3 microphones et trois sources ligne sans avoir recours à un mixeur externe. Ceci est utile pour les petits engagements de musique, les réunions, les séminaires, etc.*

Système de Contrôle Parasource

6. Mode Sub In/Out

Lors de l'utilisation avec subwoofer le sélecteur de pente de diminution des fréquences graves Sub In/Out désactive l'amplification des basses fréquences et filtre les fréquences inférieures à 100 Hz. Il n'est pas nécessaire d'utiliser ce sélecteur pour les applications vocales puisque l'entrée micro disposent déjà d'un filtre passe haut. Ce sélecteur affectent seulement les signaux de l'amplificateur interne et n'affecte pas les signaux sortant du mixeur interne ou les signaux passant par les connexions link.

7. Mode Club/Concert

Le sélecteur de mode Club/Concert permet à l'enceinte Parasource d'être rapidement configuré pour le site et/ou le type de contenu. Le mode Club rehausse les fréquences graves avant l'activation du limiteur. Une fois le limiteur activé, le rehaussement est réduit pour prévenir une limitation plus sévère. Le mode Concert élimine complètement le rehaussement des graves et détend le limiteur de pointe du pavillon de 4dB, permettant une meilleure projection de l'enceinte.

8. Connecteur Combi d'Entrée et XLR Link

Les prises link sont en parallèle. Cela permet de raccorder entre elles plusieurs enceinte Parasource (ou toute autre enceinte amplifiée, comme des subwoofers). Les prises lignes sont les entrées correctes à utiliser lorsque le signal acheminé à l'enceinte Parasource provient d'un mixeur externe. Les prises Link fonctionnent au niveau ligne (+ 4 dBv) pour obtenir la pleine puissance. Lors de l'utilisation de signaux plus faibles, il est conseillé d'utiliser les entrées ligne de la première enceinte dans la chaîne.

Note: Les prises Link sont des entrées symétriques de haute qualité avec une très bonne réjection de mode (hum) commun. Afin d'assurer des résultats maximum de réjection, les câbles symétriques appropriés doivent être utilisés. La prise marquée Link est connectée en parallèle avec l'entrée (INPUT). Elles sont fournies pour la commodité de connecter les enceintes en aval. Les entrées Link peuvent également servir de sorties et les sorties Link peuvent être utilisées comme entrées.

9. Commande Level

La commande Level ajuste le volume des enceintes Parasource individuelles et permet le réglage individuel de chaque enceinte liée dans la chaîne. Cette commande n'ajuste pas le niveau des prises Link.

État et Puissance du Système

10. DEL d'Alimentation Verte

La DEL d'alimentation verte s'allume lorsque l'alimentation est allumée et l'appareil est prêt.

11. DEL Limit Jaune

Cette DEL jaune indique que le limiter(s) gère activement le niveau du signal et l'appareil fonctionne à pleine puissance. Il convient d'utiliser le système alors que le limiteur est activé tant que la DEL rouge n'est pas constamment illuminé. L'enceinte dispose de limiteur séparé pour le woofer et le pavillon. Cette DEL indiquera l'opération de l'un ou l'autre des limiteurs. Cette DEL Limit n'indique pas l'activité de traitement des fréquences graves.

12. DEL Rouge Clip

La DEL rouge CLIP s'allume pour indiquer un niveau de signal excessif qui pourrait causer la distorsion. Réduisez les niveaux du mixeur ou de la source audio pour réduire l'écrêtage.

13. Interrupteur d'Alimentation

L'interrupteur d'alimentation allume ou éteint l'appareil.

14. Disjoncteur

Le disjoncteur ne devrait jamais déclencher, même dans des conditions de fonctionnement extrêmes. Un disjoncteur déclenché indique généralement une faute grave avec l'appareil. Si le disjoncteur se déclenche à plusieurs reprises, apporter l'appareil à un technicien qualifié de Yorkville pour inspection et service.



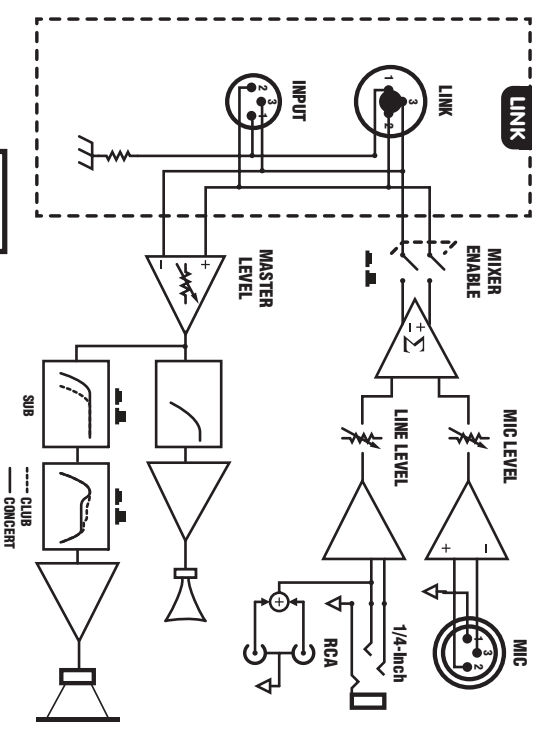
PARASOURCE SERIES

PS10P • PS12P • PS15P

Specifications			
	PS10P	PS12P	PS15P
System Type	Active Loudspeaker	Active Loudspeaker	Active Loudspeaker
Active or Passive	Active	Active	Active
Program Power (watts)	800 watts (1600 watts peak)	1400 watts (4400 watts peak)	1400 watts (4400 watts peak)
Max SPL (dB)	127dB Peak (124dB Continuous)	133dB Peak (128dB Continuous)	134dB Peak (129dB Continuous)
Frequency Response (Hz +/- 3dB)	55hz to 20kHz	45Hz to 26kHz	45Hz to 26kHz
Crossover Frequency (Hz)	1.3k	1.3k	1.1k
Driver Configuration	10-inch / 1-inch	12-inch / 1-inch	15-inch / 1-inch
HF Driver(s)	38mm Voicecoil w/ 1-inch Exit	38mm Voicecoil w/ 1-inch Exit	38mm Voicecoil w/ 1-inch Exit
HF Dispersion (°H x °V)	90 x 70	85 x 50	85 x 50
HF Protection	Thermal/Peak Limiter	Thermal/Peak Limiter	Thermal/Peak Limiter
LF Driver(s)	10-inch Ceramic w/ 2-inch Voicecoil	12-inch (3 inch voicecoil)	15-inch (3 inch voicecoil)
LF Protection	Thermal/Multiband Peak Limiter	Thermal/Multiband Peak Limiter	Thermal/Multiband Peak Limiter
LF Processing	Dynamic Bass Extension	Dynamic Bass Extension	Dynamic Bass Extension
Cooling Scheme	Passive	Passive	Passive
Power Cable	Detachable IEC	Detachable IEC	Detachable IEC
Power Consumption (typ/max)	MAX: 1.25 A @ 120 Vac / 0.6 A @ 230 Vac	MAX: 1.6 A @ 120 Vac 0.8 A @ 230 Vac	MAX: 2.0 A @ 120 Vac 1.0 A @ 230 Vac
Inputs	1/4-inch, XLR, RCA	1/4-inch, XLR, RCA	1/4-inch, XLR, RCA
Inputs - 1/4-inch Jacks	Yes (x2)	Yes (x2)	Yes (x2)
Inputs - XLR	Yes (x2)	Yes (x2)	Yes (x2)
Input Sensitivity (Vrms Sine)	1.23 Vrms +4dBu	1.23 Vrms +4dBu	1.23 Vrms +4dBu
Mixer Controls	Sub Mode HPF, Bass Boost, Mixer Enable	Sub Mode HPF, Bass Boost, Mixer Enable	Sub Mode HPF, Bass Boost, Mixer Enable
Level Controls	Master Level, Mic Level, Line Level	Master Level, Mic Level, Line Level	Master Level, Mic Level, Line Level
LED Indicators	Power, Limit, Clip	Power, Limit, Clip	Power, Limit, Clip
Bar Handles	Yes	Yes	Yes
Pole Mount Adapter (1 3/8-inch-3.5cm)	Yes	Yes	Yes
Enclosure Materials	ABS	ABS	ABS
Baffle Material	ABS	ABS	ABS
Grille	Perforated Metal	Perforated Metal	Perforated Metal
Dimensions (DWH xbackW COM inches)	23 x 14 x 12	26.25 x 16.75 x 13.5	30.75 x 20.5 x 14.5
Dimensions (DWH xbackW COM cm)	58.4 x 35.6 x 30.5	66.7 x 42.5 x 34.3	78.1 x 52.1 x 36.3
Weight (lbs/kg)	40/18.2	40/18.2	60/27.8
Spécifications			
	PS10P	PS12P	PS15P
Type de système	Haut-Parleur Actif	Haut-Parleur Actif	Haut-Parleur Actif
Actif ou Passif	Actif	Actif	Actif
Puissance Nominale (Watts)	800 watts (1600 watts pointe)	1400 watts (4400 watts [pointe])	1400 watts (4400 watts pointe)
Max SPL (dB)	127dB Pointe (124dB Continu)	133dB Pointe (128dB Continu)	134dB Pointe (129dB Continu)
Niveau de Pression Sonore Max (dB)	55hz à 20kHz	45Hz à 26kHz	45Hz à 26kHz
Fréquences de Coupures (Hz)	1.3k	1.3k	1.1k
Configuration de Haut-parleurs	2-voix bi-amplifié (10-pouces / 1-pouce)	2-voix bi-amplifié (12-pouce / 1-pouce)	2-voix bi-amplifié (15-pouce / 1-pouce)
Driver(s) FH	Bobine 38mm avec sortie 1-pouce	Bobine 38mm avec sortie 1-pouce	Bobine 38mm avec sortie 1-pouce
Dispersion FH (°H x °V)	90 x 70	85 x 50	85 x 50
Protection FH	Limiteur Thermique/Pointe	Limiteur Thermique/Pointe	Limiteur Thermique/Pointe
Driver(s) FG	10-pouces Céramique avec Bobine 2-pouce	12-pouces (Bobine 3 pouce)	15-pouces (bobine 3 pouce)
Protection FG	Limiteur de Pointe Multibande /Thermique	Limiteur de Pointe Multibande /Thermique	Limiteur de Pointe Multibande /Thermique
Traitement FG	Rehaussement Dynamique des Graves	Rehaussement Dynamique des Graves	Rehaussement Dynamique des Graves
Refroidissement	Passif	Passif	Passif
Cordon d'Alimentation	détachable CEI	détachable CEI	détachable CEI
Consommation de Puissance (typ/max)	MAX: 1.25 A @ 120 Vca / 0.6 A @ 230 Vca	MAX: 1.6 A @ 120 Vca 0.8 A @ 230 Vca	MAX: 2.0 A @ 120 Vca 1.0 A @ 230 Vca
Entrées	1/4-pouce, XLR, RCA	1/4-pouce, XLR, RCA	1/4-pouce, XLR, RCA
Entrées - 1/4 de pouce	Oui (x2)	Oui (x2)	Oui (x2)
Entrées - XLR	Oui (x2)	Oui (x2)	Oui (x2)
Sensibilité d'Entrée (Vrms Sinusoïdale)	1.23 Vrms +4dBu	1.23 Vrms +4dBu	1.23 Vrms +4dBu
Commandes Mixeur	Mode Sub FPH, Bass Boost, Mixer Engagé	Mode Sub FPH, Bass Boost, Mixer Engagé	Mode Sub FPH, Bass Boost, Mixer Engagé
Commandes de Niveau	Niveau Master, Niveau Mic, Niveau Line	Niveau Master, Niveau Mic, Niveau Line	Niveau Master, Niveau Mic, Niveau Line
DEL indicatrices	Alimentation, Limite, Clip	Alimentation, Limite, Clip	Alimentation, Limite, Clip
Poignés à barre pouce) (3.5cm)	Oui	Oui	Oui
Matériaux de construction	ABS	ABS	ABS
Matériaux de baffle	ABS	ABS	ABS
Grille	Métal Perforé	Métal Perforé	Métal Perforé
Dimensions (PLH arrière L, pouces)	23 x 14 x 12	26.25 x 16.75 x 13.5	30.75 x 20.5 x 14.5
Dimensions (PLH arrière L, cm)	58.4 x 35.6 x 30.5	66.7 x 42.5 x 34.3	78.1 x 52.1 x 36.3
Poids (livres / kg)	40/18.2	40/18.2	60/27.8

Block Diagram for PS10P, PS12P & PS15P

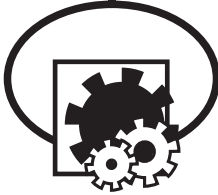
DESIGNED & MANUFACTURED BY YORKVILLE SOUND TYPE: YS1111



- NOTES:**
- ALL LINK CONNECTIONS FUNCTION AS INPUTS OR OUTPUTS.
 - EXTERNAL MIXERS CONNECT TO LINK INPUTS



EYEBOLT INSTALLATION



1. DESCRIPTION

Many of the popular models in the Yorkville speaker cabinet line are now equipped with flying hardware for overhead suspension applications. Depending on the model, two or more internal braces have been provided for rigging purposes. Each brace contains two bolt holes and provides center-of-gravity fly-points for use with in-line or angular loads. Many of the models will support additional suspended cabinets according to their specified working load limits.



IMPORTANT!!
 THE RIGGING OF LOUDSPEAKER SYSTEMS IS AN EXTREMELY SERIOUS MATTER. OVERHEAD RIGGING REQUIRES EXTENSIVE EXPERIENCE, INCLUDING (BUT NOT LIMITED TO) CALCULATING WORKING LOAD LIMITS, HARDWARE INSTALLATION, AND PERIODIC SAFETY INSPECTION OF ALL HARDWARE AND CABINETRY. IF YOU LACK THESE QUALIFICATIONS, DO NOT ATTEMPT THE INSTALLATION YOURSELF, BUT INSTEAD USE A PROFESSIONAL STRUCTURAL RIGGER. IMPROPER INSTALLATION CAN RESULT IN BODILY INJURY OR DEATH. CONSULT A STRUCTURAL ENGINEER TO CALCULATE ADDED LOADS FOR A BUILDING. STRUCTURAL REINFORCEMENT MAY BE NECESSARY TO INSURE A SAFE INSTALLATION.

2. REQUIRED TOOLS

- 4.5mm (7/32") Hex Wrench
- Thread lock adhesive (Removable Type)

3. EYEBOLT INSTALLATION

a) Using a 4.5mm (7/32") hex wrench, remove the flat head bolts from the top or bottom of the speaker enclosure to expose the tapped holes (on TX models, the flat head bolts are located within the track rails), as shown below. Be sure to keep these handy as they will be needed to seal the cabinet after the eyebolts are removed.



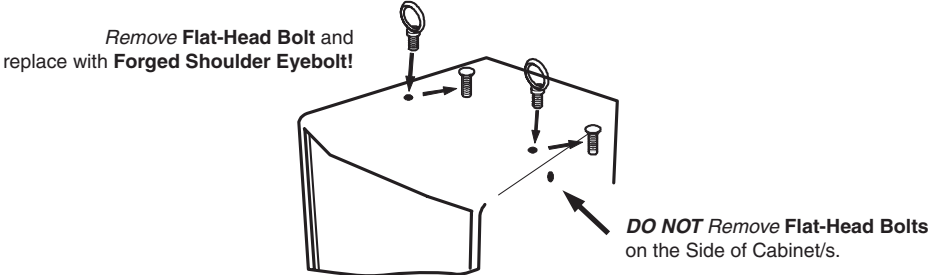
IMPORTANT!!
 USE ONLY LOAD RATED FORGED EYEBOLTS. THESE MAY BE PURCHASED THROUGH YORKVILLE SOUND OR ATM FLY-WARE™. TO INSURE CABINET-BRACING STRENGTH, MAKE SURE ALL FLY-POINTS ARE SECURED WITH EITHER AN EYEBOLT OR FLAT HEAD HEX BOLT.

b) Place a drop of thread-lock adhesive on the threads of the eyebolt and insert one into exposed hole. Tighten each eyebolt by hand until its fits snugly against the cabinet. Further tighten each eyebolt by rotating it another half turn. Be sure to insert eyebolts in the threaded hole directly in-line with the suspension cable. Always follow the eyebolt manufacturers installation and use instructions.

c) Suspend each cabinet according to working load calculations and practices recommended by the rigging hardware manufacturer.



IMPORTANT!!
 ON MODELS WITH ONLY TWO TOP SUSPENSION POINTS THE SUPPLIED PULL BACK AT THE REAR OF THE BOTTOM CENTER PANEL OF THE CABINET IS NOT TO BE USED AS A SUSPENSION POINT. THIS POINT TO BE USED FOR PULL BACK PURPOSES ONLY.



4. WORKING LOAD LIMITS

Specified working load limits have been determined for the enclosure as follows:

Model	Configuration	B - Version (Painted)	Thread	Working Load
PS10P	4 fly points - 2 top + 2 bottom + pull back		1/4-20	weight of cabinet only
PS12P	4 fly points - 2 top + 2 bottom + 2 pull back		1/4-20	weight of cabinet only
PS15P	4 fly points - 2 top + 2 bottom + 2 pull back		1/4-20	weight of cabinet only



IMPORTANT!!
 READ ALL ENCLOSED INSTRUCTIONS ABOUT PROPER USE OF HARDWARE. TO INSURE PROPER INSTALLATION, FOR TECHNICAL INFORMATION ON SUSPENSION TECHNIQUES AND EXTERIOR ACCESSORY INFORMATION WE SUGGEST CALLING ATM FLY-WARES TECHNICAL SERVICES IN THE UNITED STATES AT (310)639-8282 MONDAY THROUGH FRIDAY FROM 9 AM TO 6 PM (PST) OR FAX AT (310)639-8284. YORKVILLE SOUND MAKES NO CLAIMS AS TO THE SAFETY OF THE ENCLOSURES IF RECOMMENDED LOAD LIMITS AND HARDWARE ARE NOT STRICTLY ADHERED TO. NOR DOES IT MAKE ANY SAFETY CLAIMS TO THE RESULTANT INSTALLATION.

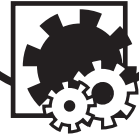


IMPORTANT!!
 TRACK RAILINGS: UNITS THAT INCORPORATE THE TRACK RAILING SYSTEM HAVE THE SAME WORKING LOAD LIMITS AS THEY DO WHEN THEY ARE USED WITH EYEBOLTS. THESE RATINGS MAY BE LIMITED AND BASED ON THE RATINGS OF THE TRACK FITTINGS THEMSELVES. PLEASE ENSURE THAT THE RATING OF THE CERTIFIED TRACK FITTINGS EXCEEDS NECESSARY WORKING LOAD LIMITS.

EYEBOLT INSTALLATION

1. DESCRIPTION

Plusieurs des modèles populaires de la ligne d'enceinte à haut-parleur Yorkville sont maintenant équipés de quincaillerie de montage pour les applications requérant une suspension aérienne. Dépendamment du modèle, deux ou plusieurs attaches internes sont prévues pour de tels montages. Chaque attache contient deux trous de boulon et offre des points de montage centre de gravité pour utilisation avec charges droites ou anguleuses. Plusieurs des modèles permettent la suspension de cabinets additionnels selon leur limite de charge de travail spécifique.



IMPORTANT!! LE MONTAGE DE SYSTÈME DE HAUT-PARLEUR EST UNE AFFAIRE TRÈS SÉRIEUSE. LES MONTAGES IMPLIQUANT UNE SUSPENSION AÉRIENNE NÉCESSITENT UNE CONNAISSANCE APPROFONDIE, INCLUANT (MAIS NON-LIMITÉE) AU CALCUL DES LIMITES DE CHARGE DE TRAVAIL, LA QUINCAILLERIE D'INSTALLATION, ET INSPECTIONS PÉRIODIQUES DE SÉCURITÉ DE TOUTE LA QUINCAILLERIE ET DE L'ÉBÉNISTERIE. SI VOUS N'AVEZ PAS CES QUALIFICATIONS, NE TENTEZ PAS DE FAIRE VOUS-MÊME L'INSTALLATION. AYEZ PLUTÔT RECOURS À UN PROFESSIONNEL DU DOMAINE. UNE INSTALLATION INADÉQUATE PEUT CAUSER DES BLESSURES CORPORELLES OU MÊME LA MORT. CONSULTEZ UN INGÉNIEUR EN STRUCTURE POUR CALCULER LA CHARGES ADDITIONNELLE AJOUTÉE AU BÂTIMENT. UN RENFORCEMENT DE LA STRUCTURE DU BÂTIMENT POURRAIT ÊTRE NÉCESSAIRE POUR ASSURER UNE INSTALLATION SÛRE.

2. OUTILS REQUIS

Clé Hex 4.5mm (7/32")

Adhésif de verrouillage pour filetage (Type amovible)

3. INSTALLATION DES BOULONS À OEIL

a) À l'aide d'une Clé Hex 4.5mm (7/32"), enlevez le boulon à tête plate du dessus ou du dessous de l'enceinte à haut-parleur pour découvrir les trous filetés (sur les modèles TX, les boulons à tête plate sont situés à l'intérieur des quincailleries de montage intégré), tel qu'indiqué ci-dessous.

Assurez-vous de ne pas perdre ces boulons à tête plate. Vous devrez les ré-utiliser pour fermer hermétiquement le cabinet quand les boulons œil seront enlevés.



IMPORTANT!! N'UTILISEZ QUE DES BOULONS À OEIL CLASSIFIÉ POUR LES CHARGES REQUISES. VOUS POUVEZ VOUS LES PROCURER DE YORKVILLE SOUND OU ATM FLYWARE™. POUR PRÉSERVER UNE FORCE MAXIMALE DE L'ENTRETOISEMENT DU CABINET, ASSUREZ-VOUS QUE TOUTS LES POINTS DE SUSPENSION SONT FIXÉS SOLIDEMENT AVEC SOIT UN BOULON À OEIL, SOIT UN BOULON HEX À TÊTE PLATE

b) Placez une goutte d'adhésif de verrouillage sur le filetage du boulon à œil et placez-en une dans le trou exposé. Resserrez chaque boulon à œil à la main jusqu'à ce qu'ils soient bien serrés contre l'enceinte. Serrez encore chaque boulon à œil en les tournant un autre demi-tour.

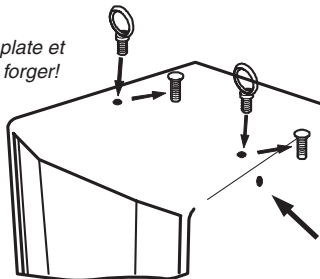
Assurez-vous d'insérer les boulons à œil dans les trous filetés directement en ligne avec le câble de suspension. Toujours suivre les instructions d'installation et d'utilisation du fabricant des boulons à œil.

c) Suspendez chaque enceinte selon le calcul de charge de travail et les pratiques recommandées par le fabricant de la quincaillerie de montage.



IMPORTANT!! LES MODÈLES ÉQUIPÉS DE SEULEMENT DEUX POINT DE SUSPENSION SUR LE DESSUS, SONT DOTÉ D'UN POINT DE TIRE À L'ARRIÈRE SUR LE PANNEAU CENTRAL DU BAS. CE POINT DE TIRE NE DOIT PAS ÊTRE UTILISÉ COMME POINT DE SUSPENSION. CE POINT DE TIRE NE DOIT SEULEMENT ÊTRE UTILISÉ QUE POUR TIRER L'ENCEINTE VERS L'ARRIÈRE..

Enlevez le Boulon à tête plate et
Remplacez-le avec un boulon à œil forger!



N'enlevez pas les boulons à tête
plate sur le côté de l'enceinte/s

4. LIMITES DE CHARGE DE TRAVAIL

Les limites de charge spécifiées ont été déterminées pour chaque enceinte comme suit:

Model	Configuration	B - Version (Painted)	Thread	Working Load
PS10P	4 fly points - 2 top + 2 bottom + pull back		1/4-20	weight of cabinet only
PS12P	4 fly points - 2 top + 2 bottom + 2 pull back		1/4-20	weight of cabinet only
PS15P	4 fly points - 2 top + 2 bottom + 2 pull back		1/4-20	weight of cabinet only



IMPORTANT!! LIRE TOUTE LA DOCUMENTATION INCLUSE AU SUJET DE L'UTILISATION APPROPRIÉ DE LA QUINCAILLERIE. POUR ASSURER UNE BONNE INSTALLATION, POUR OBTENIR DE L'INFORMATION TECHNIQUE SUR LES DIVERSES TECHNIQUES DE SUSPENSION ET POUR OBTENIR DE L'INFORMATION SUR LES ACCESSOIRES EXTÉRIEURS NOUS VOUS SUGGÉRONS D'APPELER LE SERVICE TECHNIQUE DE ATM FLY-WARE AUX ETATS-UNIS AU (310)639-8282 DU LUNDI AU VENDREDI DE 9 AM À 6 PM (HSP) OU PAR FAX AU (310)639-8284. YORKVILLE SOUND NE GARANTIE PAS UNE UTILISATION SÉCURITAIRE DES ENCEINTES SI LES LIMITES DE CHARGE RECOMMANDÉES NE SONT PAS RESPECTÉES ET SI VOUS N'ADHÉREZ PAS STRICTEMENT À LA LISTE DE QUINCAILLERIE RECOMMANDÉE.



IMPORTANT!! RAILS DE MONTAGE (TRACK RAILINGS): LES ENCEINTES INCORPORANT LE SYSTÈME DE RAIL DE MONTAGE ONT LES MÊMES LIMITES DE CHARGE DE TRAVAIL QU'ILS SOIENT SUSPENDUS AVEC LE SYSTÈME DE RAIL OU AVEC LES BOULONS À OEIL. CES VALEURS ASSIGNÉES DE LIMITE DE CHARGE PEUVENT ÊTRE LIMITÉES ET BASÉES SUR LA VALEUR DE LIMITE DE CHARGE ASSIGNÉE AUX APPAREILLAGES DE RAIL (TRACK FITTINGS) ELLE-MÊMES. ASSUREZ-VOUS S.V.P. QUE LA VALEUR ASSIGNÉE DE LIMITE CHARGE DE TRAVAIL SUR LES APPAREILLAGES CERTIFIÉS DE RAIL (TRACK FITTINGS) EXÈDE LES LIMITES NÉCESSAIRES DE CHARGE DE TRAVAIL.



Two & Ten Year Warranty

Unlimited Warranty

Yorkville's two and ten-year unlimited warranty on this product is transferable and does not require registration with Yorkville Sound or your dealer. If this product should fail for any reason within two years of the original purchase date (ten years for the wooden enclosure), simply return it to your Yorkville dealer with original proof of purchase and it will be repaired free of charge. This includes all Yorkville products, except for the YSM Series studio monitors, Coliseum Mini Series and TX Series Loudspeakers.

Freight charges, consequential damages, weather damage, damage as a result of improper installation, damages due to exposure to extreme humidity, accident or natural disaster are excluded under the terms of this warranty. Warranty does not cover consumables such as vacuum tubes or par bulbs. See your Yorkville dealer for more details. Warranty valid only in Canada and the United States.

Garantie Illimitée

La garantie illimitée de deux et dix ans de ce produit est transférable. Il n'est pas nécessaire de faire enregistrer votre nom auprès de Yorkville Sound ou de votre détaillant. Si, pour une raison quelconque, ce produit devient défectueux durant les deux années qui suivent la date d'achat initial (dix ans pour l'ébénisterie), retournez-le simplement à votre détaillant Yorkville avec la preuve d'achat original et il sera réparé gratuitement. Ceci inclus tous les produits Yorkville à l'exception de la série de moniteurs de studio YSM, la mini série Coliseum et de la série TX.

Les frais de port et de manutention ainsi que les dommages indirects ou dommages causés par désastres naturels, extrême humidité ou mauvaise installation ne sont pas couverts par cette garantie. Cette garantie ne couvre pas les produits consommables tels que lampe d'amplificateur ou ampoules "PAR". Voir votre détaillant Yorkville pour plus de détails. Cette garantie n'est valide qu'au Canada et aux États Unis d'Amérique.

REAL Gear.
REAL People.



Canada U.S.A.

Voice: (905) 837-8481 Voice: (716) 297-2920
Fax: (905) 837-8746 Fax: (716) 297-3689

www.yorkville.com

Yorkville Sound Yorkville Sound Inc.
550 Granite Court 4625 Witmer Industrial Estate
Pickering, Ontario Niagara Falls, New York
L1W-3Y8 CANADA 14305 USA



WEB: www.yorkville.com

**WORLD HEADQUARTERS
CANADA**

Yorkville Sound
550 Granite Court
Pickering, Ontario
L1W-3Y8 CANADA

Voice: (905) 837-8481
Fax: (905) 837-8746

U.S.A.

Yorkville Sound Inc.
4625 Witmer Industrial Estate
Niagara Falls, New York
14305 USA

Voice: (716) 297-2920
Fax: (716) 297-3689



Quality and Innovation Since 1963

Printed in China