

### Overview

The ACV-2100 features a connector bay door that also serves as a hinged Wall Mount Bracket, which allows easy access to the Connector Bay without having to dismount the unit. The Wall Mount Bracket features a cutout for cable routing and straps for cable management.

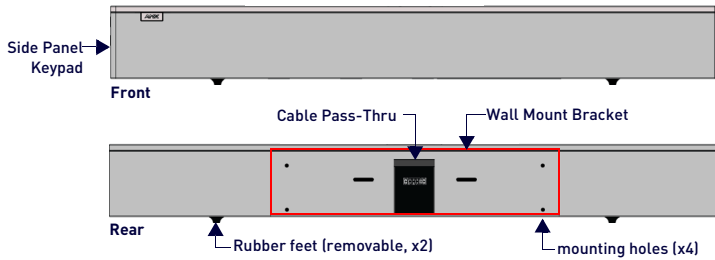


FIG. 1 ACV-2100 (FRONT/REAR VIEWS)

| PRODUCT SPECIFICATIONS    |  |
|---------------------------|--|
| MODELS AVAILABLE          | <ul style="list-style-type: none"> <li>ACV-2100GR, Grey (FG4121-00GR)</li> <li>ACV-2100BL, Black (FG4121-00BL)</li> </ul>  |
| INCLUDED ACCESSORIES      | <ul style="list-style-type: none"> <li>15V  / 4A Power Supply</li> <li>Remote Control</li> <li>6' USB 2.0 Cable</li> <li>5mm Wall Mount Spacers (4)</li> <li>Lock-Down Screws (2)</li> </ul>   |
| DIMENSIONS (HWD)          | <ul style="list-style-type: none"> <li>3" x 23 1/2" x 3 15/16" (76 mm x 590 mm x 100 mm)</li> <li>Depth with optional wall mount spacers: 4 1/8" (105 mm)</li> </ul>   |
| WEIGHT                    | 6.3 lbs (2.86 kg)  |
| ACTIVE POWER REQUIREMENTS | <ul style="list-style-type: none"> <li>~100-240V, 1.3A max</li> <li>Only use the included power supply</li> </ul>  |
| REGULATORY COMPLIANCE     | FCC 47 CFR Part 15, Subpart C / Subpart B (emissions)<br>EN 55024, EN 60950-1, IEC/EN/UL 60065:2014  |
| ENVIRONMENTAL             | <ul style="list-style-type: none"> <li>Temperature (Operating): 32° F to 113° F (0° C to 45° C)</li> <li>Temperature (Storage): -4° F to 158° F (-20° C to 70° C)</li> <li>Humidity (Operating): 5% to 85% RH non-condensing</li> </ul>        |
| OPTIONAL ACCESSORIES      | <ul style="list-style-type: none"> <li>CBL-USB-FL2-16, USB 2.0 16ft Extension Cable (FG10-2220-16)</li> <li>CBL-USB-FL2-33, USB 2.0 33ft Extension Cable (FG10-2220-33)</li> <li>ACR-5100, Meeting Collaboration System (FG4051-00)</li> </ul> |

### Credenza Installation

**Note:** To ensure highest possible sound quality, the rubber feet on the bottom panel must remain in place for surface-mount installations.

The ACV-2100 can sit on a hard, flat surface such as a credenza, tabletop or desk. When choosing a surface location, consider a space that will not interfere with workspaces or other installed devices. Connect cables as necessary - see the Connections section for details.

### Wall Mount Installation

For best aesthetic in wall mount installations, remove the rubber feet from the bottom panel: carefully peel each foot off of the bottom surface.

#### Removing the Wall Mount Bracket

1. Open the Wall Mount Bracket (held closed by internal magnets).
2. Press and hold the **Release Button** to slide the Wall Mount Bracket out (over the button) to disengage the pins on the bracket from the hinges on the unit (FIG. 2).

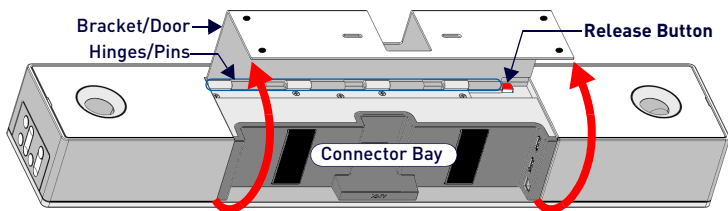


FIG. 2 ACV-2100 BOTTOM VIEW - OPENING THE WALL MOUNT BRACKET

3. Lift the Wall Mount Bracket off of the hinges to remove (FIG. 3):

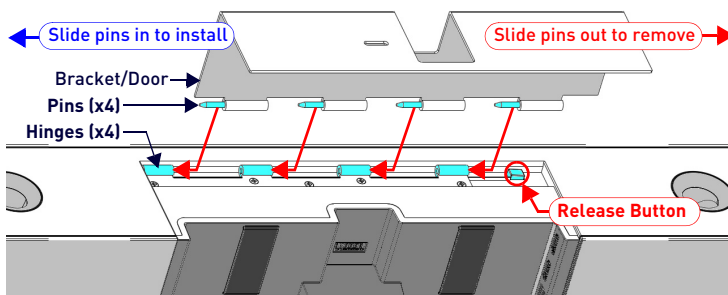


FIG. 3 ACV-2100 BOTTOM VIEW - REMOVING THE WALL MOUNT BRACKET

#### Mounting the Wall Mount Bracket and Attaching the ACV-2100

1. Use the Wall Mount Bracket as a template to mark the locations for the (4) mounting screws (not included). Use mounting screws and hardware appropriate for the surface being utilized to secure the Bracket to the wall. *Optionally, place the four included Wall Mount Spacers between the Bracket/Door and the wall to create a 5mm gap for routing flat cables if not hiding them behind the drywall (see FIG. 6).*
2. Attach the ACV-2100 to the Bracket/Door by sliding the pins on the Bracket into the hinges on the rear of the main unit (see FIG. 3):
  - a. Position the ACV-2100 with the bottom panel facing the wall and align the hinges on the main unit with the pins on the Bracket.
  - b. Carefully slide the pins into the hinges, until the Bracket/door snaps into place. **Note:** Press the door into place so that the last pin depresses the Release Button, allowing the pins to slide into the hinges (see FIG. 3).
  - c. With the ACV-2100 attached to the Bracket/door, rotate the unit up to its seated position. Note that the door snaps shut and is held closed via internal magnets. **Note:** Ensure that cables do not obstruct the complete closing of the unit.

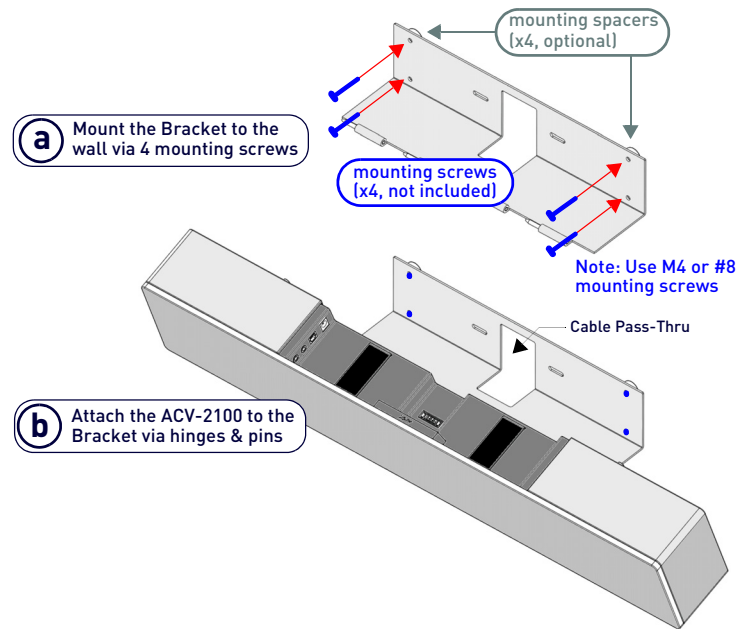


FIG. 4 WALL MOUNTING THE ACV-2100

3. Connect cables as necessary - open the Wall Mount Bracket to access the connector bay (see FIG. 2).
4. Rotate the ACV-2100 into seated position. The Wall Mount Bracket is secured with magnets (see FIG. 6).

### Connections

All cable connectors are located within the Connector Bay (rear panel).

- For surface installations, place the unit face-down and open the Connector Bay Door to manage cables/connectors.
- For wall-mounted installations, simply rotate the ACV-2100 unit down and away from the wall to access the Connector Bay.

There are two sets of connectors on the inner side panels of the Connector Bay. Each connector is labeled on the elastic cable straps (FIG. 5):

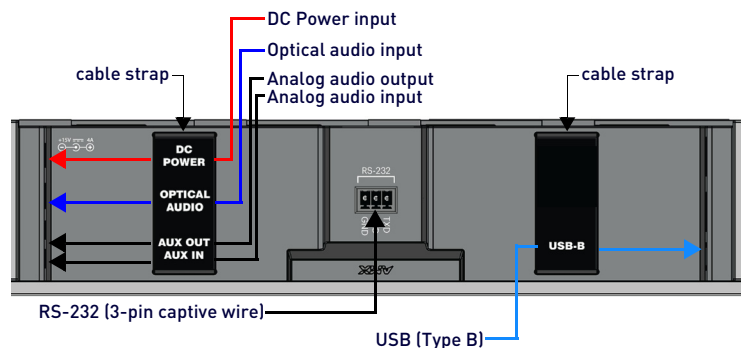


FIG. 5 ACV-2100 CONNECTOR BAY

Run each cable through the cable pass-thru in the bracket/door and under the cable straps.

| ACV-2100 CONNECTIONS |   |
|----------------------|---|
| DC POWER             | Connect the included 15V power supply to this barrel connector. Only use the power supply included with the ACV-2100.   |
| OPTICAL AUDIO:       | Use this TOSLINK connector to receive Optical Stereo Input from an audio source device.   |
| AUX OUT              | Use this 1/8" mini-stereo connector to send analog stereo sound from the ACV-2100 to an auxiliary device.   |
| AUX IN               | Use this 1/8" mini-stereo connector to receive analog stereo sound from an analog audio source device.  |
| USB                  | Use the USB 2.0 Type-B port to connect a PC/laptop to the ACV-2100 as a source device. Acendo Vibe is plug-and-play with PC/laptop using a standard UAC driver. The USB connection is also used to configure the ACV-2100 via the Acendo Vibe Configuration Tool for settings and firmware updates. |
| RS-232               | 3-pin captive-wire connector provides serial communication with the Acendo Vibe. Refer to the Acendo Vibe Instruction Manual for serial command definitions.  |

### Rotating the ACV-2100 into the Seated Position

After connecting all cables, close the Bracket to return the ACV-2100 to its seated position. The Bracket is secured via internal magnets (FIG. 6):

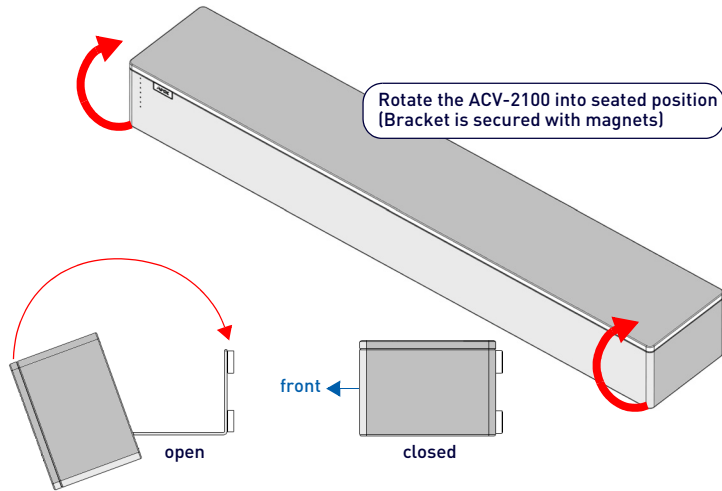


FIG. 6 ROTATING THE ACV-2100 INTO ITS SEATED POSITION

### Installing Lock-Down Screws

The ACV-2100 comes with two (flat-head) Lock-Down Screws that can be added after the ACV-2100 has been installed and connected. The Lock-Down Screws prevent the Bracket from being opened accidentally. With the Bracket/Connector Bay Door closed, install the Lock-Down Screws in the bottom panel (FIG. 7):

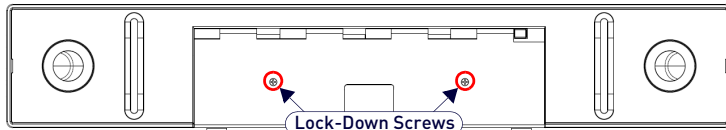


FIG. 7 ACV-2100 BOTTOM VIEW - LOCK DOWN SCREW LOCATIONS

**Note:** The Lock Down screws are not to be used to mount the ACV-2100 unit to the wall.

### Side Panel Keypad

All controls and LEDs are on the left side panel of the ACV-2100 (FIG. 8):

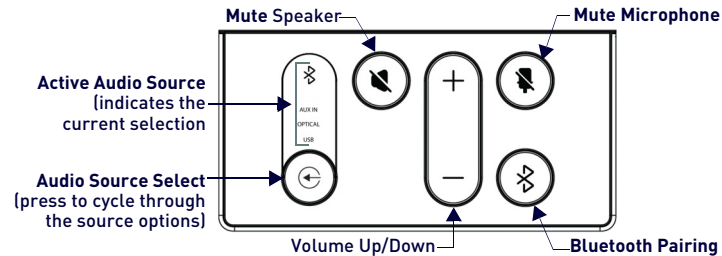


FIG. 8 ACV-2100 LEFT SIDE PANEL KEYPAD

### Volume and Mute Controls

The ACV-2100 features Sound by JBL, including a 10W/channel stereo amplifier, speakers, microphones, and DSP algorithms with AEC.

- Use the **Volume Up/Down** buttons on either the ACV-2100 side panel or on the remote control to adjust speaker volume.
- Use the **Mute Speaker** and **Mute Microphone** buttons to enable/disable the speakers and microphone. Note that these buttons are lit on the ACV-2100 (and flash on the remote control) to indicate that the sound functions are muted.

### Remote Control

The ACV-2100 includes a wireless remote control (FIG. 9):

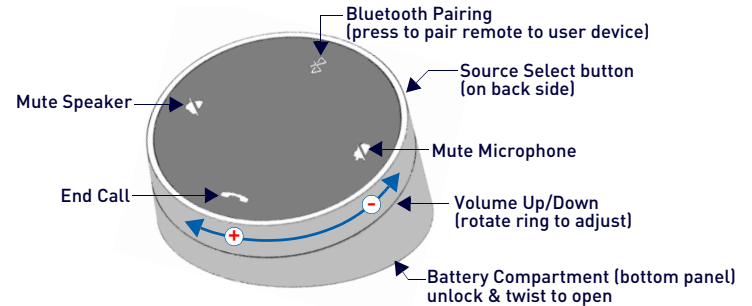


FIG. 9 ACENDO VIBE REMOTE CONTROL

### Pairing the Remote Control to the Acendo Vibe

- Press and hold both the **Source Select** and **Bluetooth Pairing** buttons on the remote control for 5 seconds (see FIG. 9). All LEDs on the remote control should start blinking or remain blinking about once per second.
- Press and hold both the **Source Select** and **Bluetooth Pairing** buttons on the ACV-2100 (see FIG. 8). After 3-5 seconds the LEDs on the remote control should stop flashing to indicate the remote control has paired.

**Note:** If the remote control remains in pairing mode (all LEDs blinking) for longer than 60 seconds the remote control will go to sleep. Press any button on the remote control to wake it up and continue with step 2.

### Pairing the Acendo Vibe with a Bluetooth Source Device

- Press the **Bluetooth Pairing** button on the ACV-2100 or the remote control to initiate pairing (see FIG. 8). The Bluetooth button will flash on both the ACV-2100 and the remote control.

**Note:** To exit pairing mode without pairing a device, press either Bluetooth button again for 5 seconds.

- On the source device, verify that Bluetooth pairing is enabled, and look for "Acendo Vibe" (or custom discoverable name) as a found device. Select the Acendo Vibe device for pairing.

The Bluetooth LED on the ACV-2100 side panel lights *solid* to indicate that the Bluetooth device is paired.

If automatic switching is disabled, use the **Source Select** button on the ACV-2100 to select *Bluetooth* as the audio source (if necessary). At this point, the Bluetooth LED is lit *solid*, Bluetooth audio is sent to the ACV-2100 speakers, and microphone audio is sent to the paired Bluetooth device.

**Note:** Once the ACV-2100 has paired to a device, it must either be "removed" or "forgotten" from your device's Bluetooth pairing list before it can be paired again.

### Acendo Vibe Configuration Tool

The ACV-2100 is configured via the *Acendo Vibe Configuration Tool* software (available to download from AMX). In most cases the default settings should not require adjustment. For details, see the *Acendo Vibe Instruction Manual*, available to view or download from [www.amx.com](http://www.amx.com).

### Setup Mode

In order for the *Acendo Vibe Configuration Tool* to communicate with the ACV-2100, the unit must be in Setup Mode. To place the ACV-2100 in Setup Mode, press the **Audio Source Select** and **Mic Mute** keys on the ACV-2100 (see FIG. 8) simultaneously for 3 seconds. All of the LEDs blink to indicate that the unit is in Setup Mode.

**Note:** Press and hold the **Audio Source Select** and **Mic Mute** buttons for 3 seconds to exit Setup mode.

### Additional Documentation

For instructions on configuring the Acendo Vibe via the *Acendo Vibe Configuration Tool*, as well as file transfer, firmware updates, programming and troubleshooting info, see the *Acendo Vibe Instruction Manual*, available to view or download from [www.amx.com](http://www.amx.com).

Refer to AMX University for online videos that demonstrate many of the installation steps described in this Quick Start Guide.