

Model No.

# LVC8P-ID-2

## Rack Panel Punched for Volume Controls



### Features

- 16-gauge US steel rackmount panel
- Rear lacing flange for wire management
- Smooth black powder epoxy finish
- Mounts up to 8 standard volume controls or 4 wide-body volume controls in alternate spacing.
- 19" x 3.5" (2U)
- Hardware and filler plugs for unused holes
- 0.5" high Pocket-ID window at top will accept a paper strip for device identification (paper not included). Labels can be handwritten or computer generated using Microsoft Word® template "PocketID-A" which can be downloaded from [www.lowellmfg.com](http://www.lowellmfg.com).
- Made in the USA

### A&E Specifications

The rackmount panel for volume controls shall be Lowell Model No. LVC8P-ID-2. It shall be formed steel construction with a smooth black epoxy finish and 8 punched holes. Overall measurements shall be 19"W x 2U. The panel shall include hardware and a clear plastic overlay for labels.

### Optional

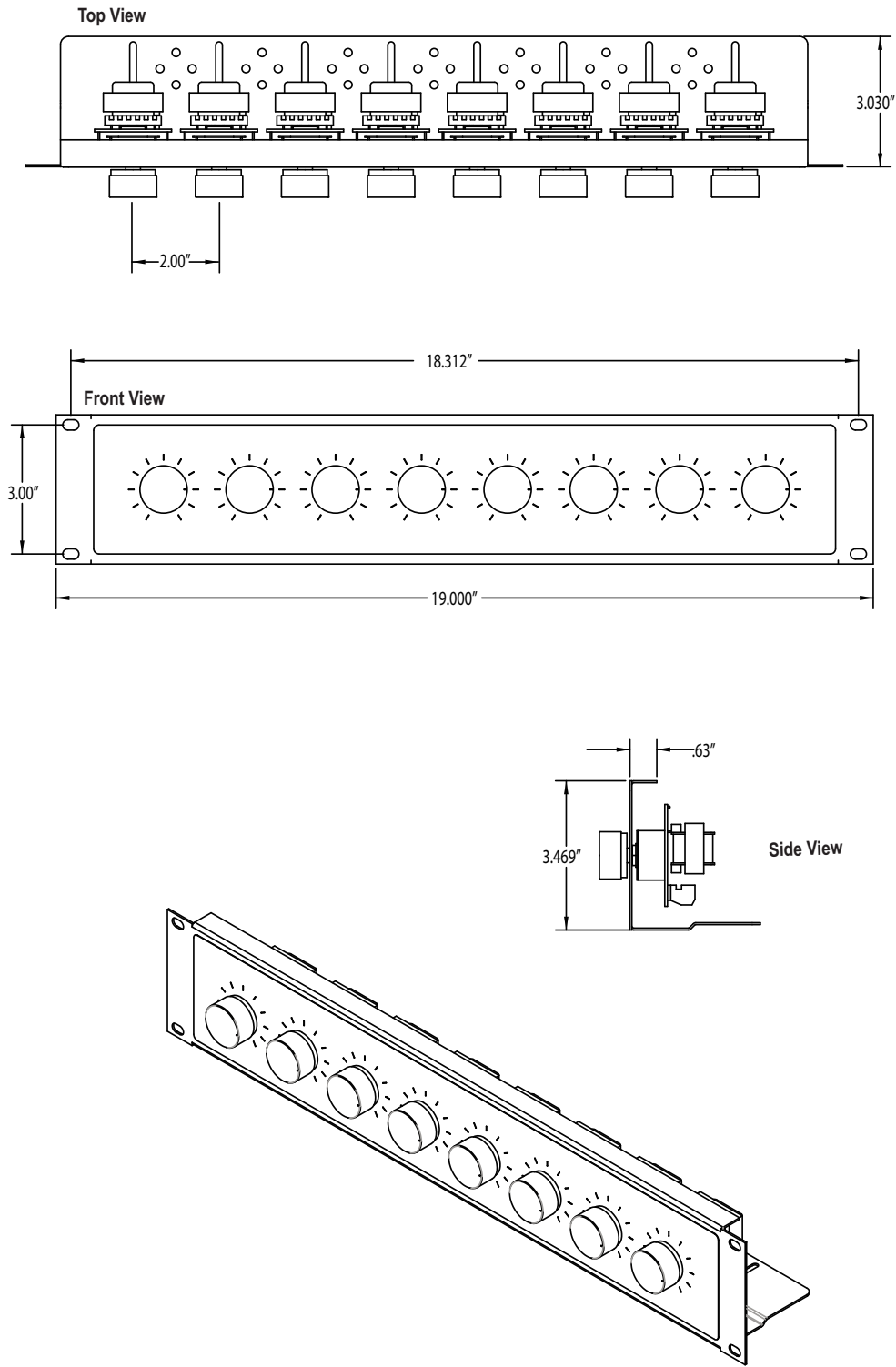
- LVC Series: Rackmount volume controls can be ordered separately. Visit [www.lowellmfg.com](http://www.lowellmfg.com)
- This panel can also be ordered pre-loaded with select volume controls. See page 3.

### Model Number

Model No.	Description	Racking Height	Overall Width	Carton Pack
LVC8P-ID-2	Rackmount panel with 8 holes	3.5" / 89mm / 2U19" / 483mm	1	

One rack unit (RU or U) = 1.75 inches or 44.45 mm. Some measurements have been rounded.

## Technical Drawings



## Pre-loaded Panel Option

The panel will accept up to 8 standard or 4 wide-body volume controls. The volume controls listed below can be pre-loaded into the panel and shipped under a single part number. Create the number by adding module letters, in the order desired, to the end of the panel number using "N" for blank positions (ex. LVC8P-ID-2-AAABNHNN).

Module	Size	Description
A	standard	25LVC-RM: 25W Rackmount Volume Control – mono, 70/25V, 3dB step
B	standard	50LVC-RM: 50W Rackmount Volume Control – mono, 70/25V, 3dB step
C	standard	100LVC-RM: 100W Rackmount Volume Control – mono, 70/25V, 3dB step
D	standard	100LVC-PA-RM: 100W Rackmount Volume Control – mono, 70/25V, 3dB step, priority relay
E	standard	10015LVC-RM: 100W Rackmount Volume Control – mono, 70/25V, 1.5dB step
F	standard	10KLVC: 10kohm Linear Taper Control for single point remote adj. of voltage-controlled amplifier (VCA)
G	standard	50LVCS-RM: 50W Rackmount Volume Control – stereo, 3dB step, 8ohm
H	wide-body*	200LVC-RM: 200W Rackmount Volume Control – mono, 3dB step
I	wide-body*	150LVCS-RM: 150W Rackmount Volume Control – stereo, 70V, 3dB step
N	-----	Plug for unused hole

\* Wide-body volume controls require 2 spaces (maximum of 4 per panel).

*Sample Configuration:*  
 Model No, LVC8P-ID-2-AAABNHNN



*Actual knobs and plugs are black.*

▲ A ▲ A ▲ A ▲ B ▲ N ▲ H ▲ N ▲ N