

P-V212/P-V257/P-V284 V-Plate



Instruction Manual

Thank you for purchasing the P-V2 series. The new P-V2 series is made to attach to IDX's ENDURA System batteries for professional video cameras that do not have a V-Mount style battery lock as standard, and it can output various DC Voltage. Prior to using the P-V2 series, IDX recommends to read this Instruction Manual on how to best use P-V2 series and keep this manual for your reference.

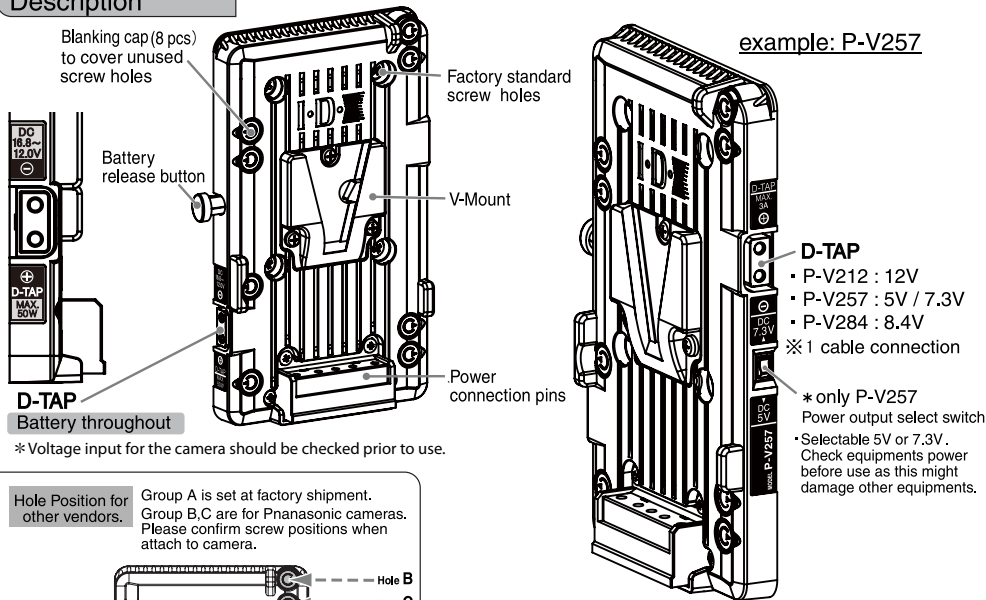
Features

- D-TAP connector is capable to output DC Power. (refer to drawing)
- Battery remaining capacity can be shown on camera view finder monitoring feature through Digi-View. * Refer to Digi-View section for detail.
- 3 types of hole position are provided. Remove caps as require for specific camera maker.
- Can be attached to IDX A-CA74E. (Shoulder Adapter)

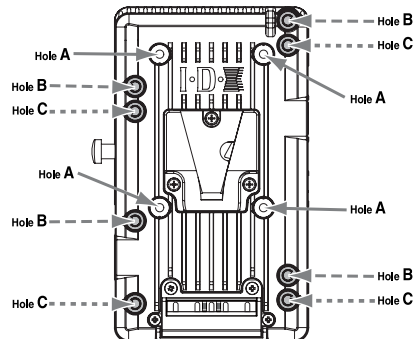
Specifications

- The output power of throughout : Max.50W
- Dimensions : 82.5 (W) × 142 (H) × 12 (D) mm
- Weight : approx. 180g
- Standard Accessories : Instruction manual x 1, M3 (8mm) screw x 4
- P-V212...12VDC output D-TAP
- P-V257...5V / 7.3V DC output D-TAP
- P-V284...8.4VDC output D-TAP
- * Max. current 3A

Description



Hole Position for other vendors. Group A is set at factory shipment. Group B,C are for Panasonic cameras. Please confirm screw positions when attach to camera.



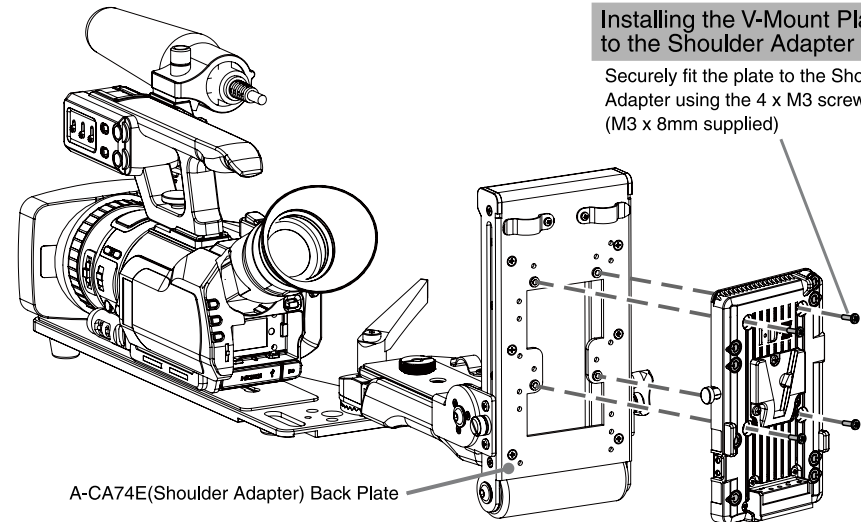
CAUTION

Please check the input voltage of the camera or other equipment prior to selecting the correct P-V Plate for your application.

Choose appropriate DC power cable, IDX offers the following DC Power cables as an option.

- C-PANCAVC...Panasonic HMC series
- C-PANCP2...Panasonic HPX, HVX series
- C-JVCC...JVC HM series
- C-CANC...Canon XL, XH series
- C-SONC...Sony HVR series
- C-PIN...Sony EX series
- C-EOSC...Canon EOS Camera

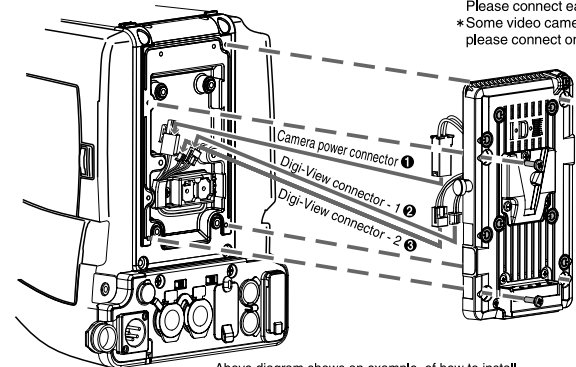
Mount the P-V Plate to a Shoulder Adapter



Installing the V-Mount Plate to the Shoulder Adapter

Securely fit the plate to the Shoulder Adapter using the 4 x M3 screws. (M3 x 8mm supplied)

Mount the P-V Plate to a Video Camera



Above diagram shows an example of how to install a P-V2 series to the Panasonic AG-HPX500 series camera

Connecting to Video Camera

Please connect each connector cable to the video camera as shown below. * Some video camera may not have connectors ② or ③. In these cases, please connect only those available connectors.

Mount the P-V Plate to camera

Attach connectors ①, ②, ③ as required, as shown on the diagram. Please be sure that no cables are trapped between the plate and the camera. Securely fit the plate to the video camera using the 4 x M3 screws. (M3 x 8mm supplied)

[Digi-View]

Digi-View is a system that allows the remaining battery capacity, from Digi-View featured batterie, to be displayed in the camera viewfinder. Cameras designed with this feature show remaining battery capacity as a percentage and are provided through data receiving connector(s). Digi-View is available in two versions, the original type1 which shows battery capacity in steps of 10% and type2 which shows capacity in 1% steps. Different cameras may have one or both connectors, if both connectors are present please connect both.

General Notes and Safety

- Do not attempt to open or modify this unit. All work should be carried out by IDX authorized service personnel only.
- Do not attach P-V2 and P-VS2 plates to any non-compatible video camera or equipment as it may cause defect, damage or other incidents. Please read this Instruction Manual carefully before use. (When connecting cables, please do not pull the cables hard.)
- When connecting a battery or adapter to a P-V2 and P-VS2 plate, be sure connect firmly. If it is not attached properly, it may result in loss or damage to the unit or even injury to the user.
- Do not expose to, use or place the unit in direct sunlight, extreme dust, water or other hazardous environments.
- A short circuit between the plus (+) and minus (-) charge pins may cause fire, electrical shock or other incidents.
- Stop using immediately in case of abnormal smell, leak, color change or case deformity during use.
- If you need any inspection or repairs, please contact your IDX dealer or appropriate IDX office.

Designs and specifications are subject to change without notice.

20101006



<http://www.idx.tv>

IDX Company, Ltd. : 6-28-11 Shukugawara, Tama-ku, Kawasaki-shi, Kanagawa-ken 214-0021, Japan
Tel: +81-44-850-8801 Fax: +81-44-850-8838 E-mail: idx.japan@idx.tv

IDX System Technology, Inc. : 19001 Harbortgate Way, Suite 105, Torrance, CA 90501 U.S.A
Tel: +1-310-328-2850 Fax: +1-310-328-8202 E-mail: idx.usa@idx.tv

IDX Technology Europe, Ltd. : Unit 9, Langley Park, Waterside Drive, Langley, Berkshire SL3 6EZ, England
Tel: +44-1753-547-692 Fax: +44-1753-546-660 E-mail: idx.europe@idx.tv

