

PHILIPS



iW Graze QLX
Powercore 5W

LED Luminaire

Date: _____

Type: _____

Firm Name: _____

Project: _____



iW Graze QLX Powercore 5W

30° x 60° Beam Angle, 914 mm (3 ft)

Low-power linear exterior LED wall grazing fixture with intelligent white light

Factory-set to consume a maximum of 5 W per foot, iW Graze QLX Powercore 5W supports ASHRAE standards, LEED green building certification, and other power-limited projects. Channels of cool, neutral, and warm white LEDs produce color temperatures ranging from 2700 K – 6500 K. Four fixture lengths and five beam angles support a large range of façade or surface illumination applications.

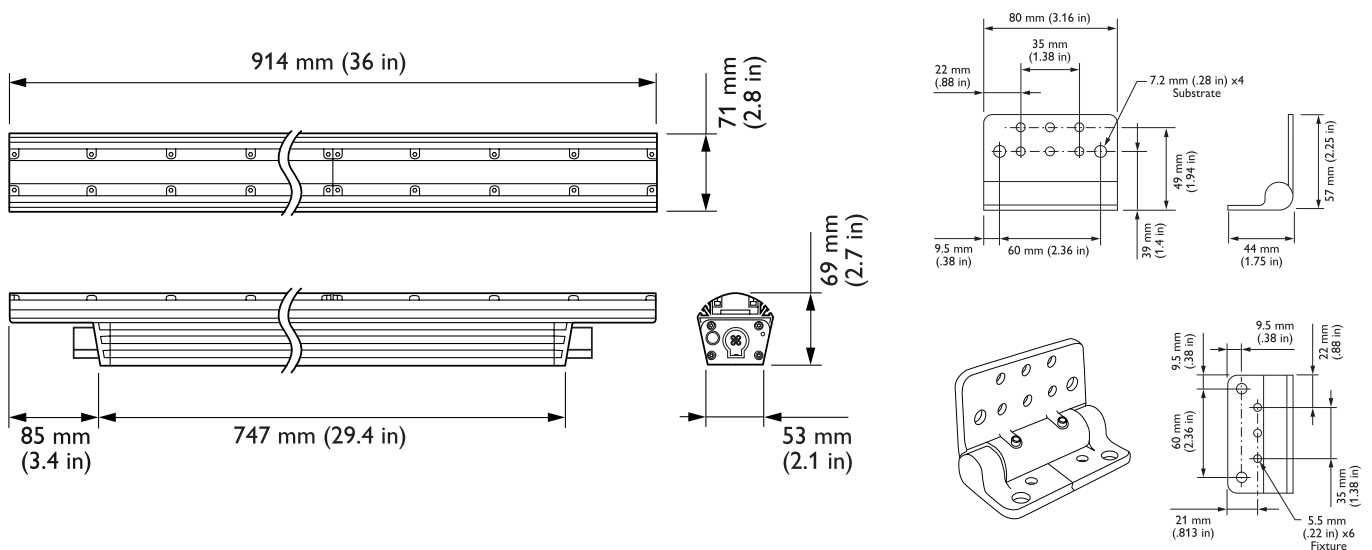
iW Graze QLX Powercore 5W

Low-power linear exterior LED wall grazing fixture with intelligent white light

- Tailor light output to specific applications—Available in four standard lengths, with standard 9° x 9°, 10° x 60°, 15° x 30°, 30° x 60° and 60° x 30° beam angles. Individually addressable 305 mm (1 ft) segments accommodate fine control of white-only effects and preprogrammed light shows.
- High-performance illumination and beam quality—iW Graze Powercore delivers over 850 lumens of color temperature-adjustable light per foot. Superior beam quality offers striation-free saturation for several feet from fixture placement with no visible light scalloping between fixtures.
- Integrates Powercore technology—Powercore technology rapidly, efficiently, and accurately controls power output to fixtures directly from line voltage. The Philips Data Enabler Pro merges line voltage with control and delivers them to the fixture over a single standard cable, dramatically simplifying installation and lowering total system cost.
- Versatile installation options—Convenient push-and-click connectors let you easily and rapidly install Leader Cables and Jumper Cables. Multiple cable lengths support a variety of layouts. Constant torque locking hinges offer simple and consistent position control from various angles. The low-profile aluminum housing accommodates placement within most architectural niches.
- Superior color consistency and accuracy—Optibin, an advanced binning algorithm, sets a new standard for the color consistency and uniformity of LED sources used in manufacturing. Chromasync technology achieves unprecedented consistency of light performance and color precision across multiple fixtures in an installation, while maximizing intensity and color range.
- Universal power input range—Fixtures accept a universal power input range of 100 – 277 VAC for consistent installation anywhere in the world.

For detailed product information, please refer to the iW Graze QLX Powercore 5W Product Guide at www.colorkinetics.com/ls/intelligentwhite/iwgrazeqlxpowercore5w/

Dimensions



Specifications

Due to continuous improvements and innovations, specifications may change without notice.

Date: _____
 Type: _____
 Firm Name: _____
 Project: _____



iW Graze QLX Powercore 5W

30° x 60° Beam Angle, 914 mm (3 ft)

Output

Color Temperature*	2700 K–6500 K
Beam Angle	30° x 60°
Lumens†	564
Efficacy (lm/W)§§	20.6
CRI	82
LED Channels	2700 K/4000 K/6500 K

Electrical

Input Voltage	100–277 VAC, auto-ranging	50/60 Hz
Power Consumption	15 W	

(Maximum at full output, steady state)

Control

Interface	Data Enabler Pro (DMX or Ethernet)
-----------	------------------------------------

Control System

Philips Color Kinetics full range of controllers, including Light System Manager, Video System Manager Pro, iPlayer 3, Antumbra iColor Keypad, and ColorDial Pro, or third-party controllers

ActiveSite	ActiveSite Ready
------------	------------------

Lumen Maintenance

Threshold§	Ambient Temperature	Reported¶	Calculated¶
L ₇₀	25° C	60,000	
	50° C	60,000	
L ₅₀	25° C	60000	
	50° C	60000	

Physical

Dimensions <i>(Height x Width x Depth)</i>	69 x 914 x 71 mm (2.7 x 36 x 2.8 in)
Weight	3.2 kg (7.1 lb)
Housing Material	Extruded anodized aluminium
Lens	Clear UV-protected polycarbonate
Fixture Connections	Integral male/female waterproof connectors
Mounting	Multi-positional, constant torque locking hinges

Temperature Ranges

-40° – 50° C (-40° – 122° F) Operating
 -20° – 50° C (-4° – 122° F) Startup
 -40° – 80° C (-40° – 176° F) Storage

Humidity	0 – 95%, non-condensing
----------	-------------------------

Fixture Run Lengths

To calculate fixture run lengths and total power consumption for your specific installation, download the Configuration Calculator from www.colorkinetics.com/support/install_tool/

Certification and Safety

Approbation	UL/cUL, FCC Class A, CE, PSE, C-Tick
Environment	Dry/Damp/Wet Location, IP66



* Correlated color temperature (CCT) complies with ANSI C78.377-2008 for the chromaticity of solid state lighting products.

† 305 mm (1 ft) lumen output measurements comply with IES LM-79-08 testing procedures. 610 mm (2 ft), 914 mm (3 ft), and 1219 mm (4 ft) measurements are estimated based on the 305 mm (1 ft) measurements.

§ Lxx = xx% lumen maintenance (when light output drops below xx% of initial output). All values are given at B10, or the median value where 90% of the LED population is better than the reported or calculated lumen maintenance measurement.

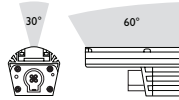
¶ Lumen maintenance figures are based on lifetime prediction graphs supplied by LED source manufacturers. Whenever possible, figures use measurements that comply with IES LM-80-08 testing procedures. In accordance with TM-21-11, Reported values represent the interpolated value based on six times the LM-80-08 total test duration (in hours). Calculated values represent time durations that exceed six times the total test duration.

§§ Efficacy measurements are estimated based on the 305 mm (1 ft) measurements.

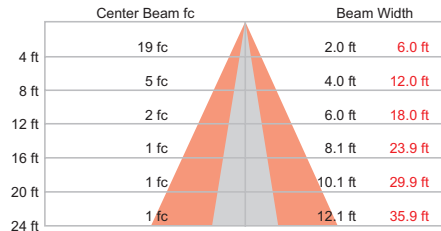
iW Graze QLX Powercore 5W Photometrics 305 mm (1 ft), 30° x 60° beam angle

Photometric data is based on test results from an independent NIST traceable testing lab. IES data is available at www.colorkinetics.com/support/ies.

Beam Angle	30° x 60°
Lumens	188
Efficacy (lm/W)	20.6

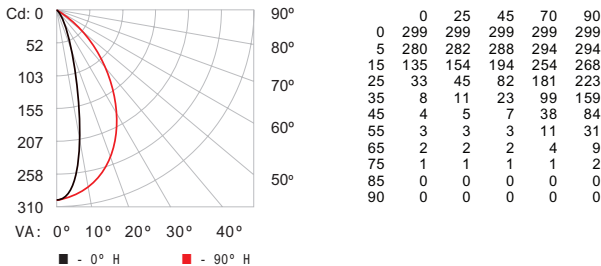


Illuminance at Distance



17.3 ft (5.3m)
1 fc maximum distance
Vert. Spread: 28.2°
Horiz. Spread: 73.6°

Polar Candela Distribution



Zonal Lumen

Zone	Lumens	% Fixture
0 - 60	183.4	97.6 %
60 - 90	4.4	2.4 %
0 - 90	187.8	100.0 %

Coefficients of Utilization - Zonal Cavity Method

RCC %:	Effective Floor Cavity Reflectance:																	
	80		70		50		30		10		0							
RW %:	70	50	30	0	70	50	30	0	50	30	20	50	30	20	0			
RCR: 0	119	119	119	119	116	116	116	100	111	111	111	106	106	106	102	102	102	100
1	113	110	108	105	111	108	106	93	104	102	100	100	99	97	97	96	95	93
2	107	102	98	94	105	100	97	87	97	94	91	94	92	89	91	89	88	86
3	102	95	90	86	100	94	89	80	91	87	84	89	85	82	86	83	81	79
4	96	89	83	79	95	87	82	75	85	81	77	83	79	76	81	78	75	74
5	92	83	77	73	90	82	76	70	80	75	72	78	74	71	77	73	70	69
6	87	78	72	67	85	77	71	66	76	70	67	74	70	66	73	69	66	64
7	83	73	67	63	81	73	67	62	71	66	62	70	66	62	69	65	62	60
8	79	69	63	59	78	69	63	58	68	62	59	67	62	58	66	61	58	57
9	75	66	60	56	74	65	59	55	64	59	55	63	58	55	62	58	55	54
10	72	62	56	53	71	62	56	52	61	56	52	60	55	52	59	55	52	51

For lux multiply fc by 10.7

Fixture and Accessories

Use Item Number when ordering in North America.

Fixture	Item Number	Philips 12NC
iW Graze QLX Powercore 5W 30° x 60° Beam Angle, 914 mm (3 ft)	523-000085-13	910503703831
Accessories		
Inground Enclosure, Inner Box for 1219 mm (48 in) fixture	120-000190-06	912400133690
Inground Enclosure, Outer Box for 1219 mm (48 in) fixture	120-000190-07	912400133691
Leader Cable with Terminator, UL/cUL, 3.0 m (10 ft)	108-000055-03	910503704066
Leader Cable with Terminator, UL/cUL, 15.2 m (50 ft)	108-000055-00	910503703137
Leader Cable with Terminator, CE/PSE, 3.0 m (10 ft)	108-000055-04	910503704067
Leader Cable with Terminator, CE/PSE, 15.2 m (50 ft)	108-000055-01	910503704064
Jumper Cable, UL/cUL, End-to-End	108-000057-00	910503703139
Jumper Cable, UL/cUL, 305 mm (1 ft)	108-000057-03	910503704076
Jumper Cable, UL/cUL, 1.5 m (5 ft)	108-000057-06	910503704079
Jumper Cable, UL/cUL, 3.0 m (10 ft)	108-000057-09	910503704082
Jumper Cable, CE/PSE, End-to-End	108-000057-01	910503704074
Jumper Cable, CE/PSE, 305 mm (1 ft)	108-000057-04	910503704077
Jumper Cable, CE/PSE, 1.5 m (5 ft)	108-000057-07	910503704080
Jumper Cable, CE/PSE, 3.0 m (10 ft)	108-000057-10	910503704083
Glare Shield, 1219 mm (4 ft)	120-000081-02	910503700747
Additional Terminators, Quantity 10	120-000157-00	910503703142
Additional Hinge	120-000098-00	910503700772
Power Supplies		
Data Enabler Pro, 3/4 in / 1/2 in NPT (U.S. trade size conduit)	106-000004-00	910503701210
Data Enabler Pro, PG21/PG13 (metric size conduit)	106-000004-01	910503701211

Copyright © 2017 Philips Solid-State Lighting Solutions, Inc. All rights reserved. Chromacore, Chromasic, CK, the CK logo, Color Kinetics, the Color Kinetics logo, ColorBlast, ColorBlaze, ColorBurst, eW Fuse, ColorGraze, ColorPlay, ColorReach, iW Reach, eW Reach, DIMand, EssentialWhite, eW, EvenBalance, iColor, iColor Cove, IntelliWhite, iW, iPlayer, Optibin, and Powercore are either registered trademarks or trademarks of Philips Solid-State Lighting Solutions, Inc. in the United States and/or other countries. All other brand or product names are trademarks or registered trademarks of their respective owners. Due to continuous improvements and innovations, specifications may change without notice.

DAS-000115-58 R01 25 Jul 2016



Philips Color Kinetics
www.philips.com/colorkinetics