

Ichip Mystère LED Followspot



Ichip Mystère
Made in USA

FEATURES

- Throws from 15-150 feet
- 3:1 zoom range
- Draws less than 7 amps
- 200 Watts
- 6000hr LED Module
- 5,600 Kelvin
- 90 CRI
- Coated Optics
- Steep 70° down tilt and 60° up tilt
- Full 360° horizontal sweep
- Six-color color changer
- Lightweight steel chassis, with aluminum housing and components
- Iris and dowser
- Small, rugged, and compact
- Quiet, cool operation
- 3-position lamp & fan control switch
- Easy to operate and maintenance free
- Black powder coat finish
- Made in USA

APPLICATIONS

- Theaters and rental shops, touring, nightclubs, schools, churches and special applications

OPTIONS

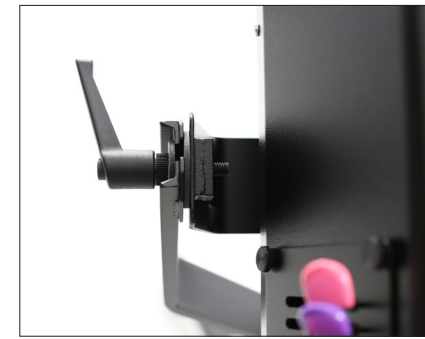
- Available for 220 volt 50/60hz operation
- Lightweight collapsible motion picture style stand
- Heavy Duty Collapsible Stand



PHOEBUS MANUFACTURING

1029 Washington Street
San Carlos, CA 94070
Tel. 650-591-9905

www.phoebusmanufacturing.com



Improved bearing and yoke brake for smoother operation



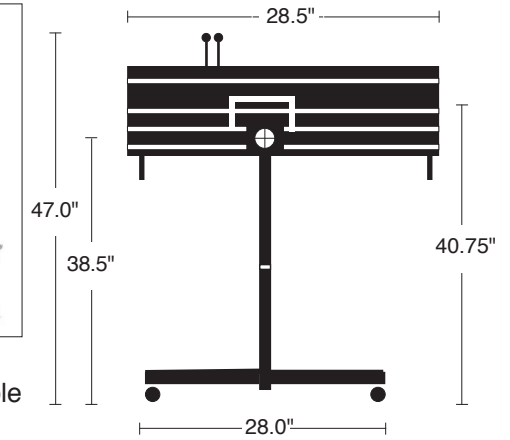
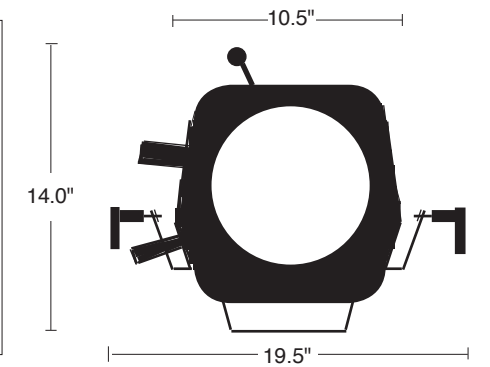
Coated Optics throughout for high brightness and true color rendition.



Four separate carry handles for optimum handling ease. Shown with Heavy Duty collapsible base.



Lightweight Matthews motion picture style collapsible base available as an option.



SPECIFICATIONS

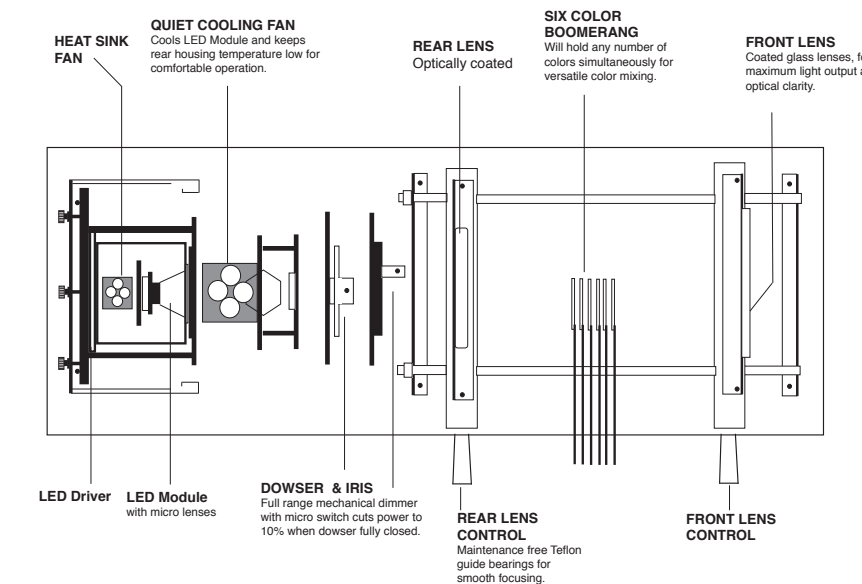
| | |
|---|-----------------|
| Overall Length | 28.5" |
| Overall Width at Base | 28.0" |
| Overall Height | 47.0" |
| Height of Pivot Point | 38.5" |
| Floor to Beam Center | 41.5" |
| Front Clearance Radius for: | |
| Vertical Movement | 16.5" |
| Horizontal Movement | 15.5" |
| Rear Clearance Radius for: | |
| Vertical Movement | 14.75" |
| Horizontal Movement | 14.5" |
| Maximum Height at Rear with Downward Tilt | 53.0" |
| Maximum Height at Front with Upward Tilt | 53.0" |
| Maximum Downward Tilt From Horizontal | 70° |
| Maximum Upward Tilt From Horizontal | 60° |
| Horizontal Sweep | 360° |
| Lamp | LED Module |
| Power Requirement | 7 Amps 120 volt |

DESCRIPTION

An entirely new concept in spotlight efficiency, the Ichip Mystère offers cutting edge performance in a lightweight, flexible package. Made in the USA to Phoebus Manufacturing's exacting standards, it features an aluminum housing on a steel chassis, a variable focal length lens system, and a mechanical dowser and iris. Inside the Ichip is a whole new deal. The revolutionary 200 watt multi LED light engine module is clean and super bright with 36 individual micro lenses. Aligned with Ichip's high quality, coated optics, the LED Module delivers unmatched brightness and a beautiful, crisp, even field.

Weighing in at a mere 60lbs (with standard base) and measuring only 28.5" in length, the revolutionary Ichip Mystère sets a new standard for efficiently keylighting a moving performer. At a mid-range 50' in spot mode, it can produce an impressive 4200 Lux of daylight-bright illumination. These are brightness numbers usually associated with arc lamps. Yet the Ichip uses no heavy, expensive ballast and has no high voltage or UV hazards. It will produce a high intensity 5600K beam of flicker free light throughout its long 6000 hour life.

The Ichip Mystère is quiet, energy efficient and cool to the touch, a perfect fit for applications where compact size and flexibility are needed. A full featured theater spotlight, it still fits easily into the trunk or back-seat of a car, making it ideal for rental shops, touring, school, church or community groups.



Ichip Mystère Optical System Performance At Various Distances

| Throw In Feet | Spot Mode | | | Flood Mode | | |
|---------------|-----------|-----------|-------|------------|-----------|-------|
| | Max Diam. | Min Diam. | Lux | Max Diam. | Min Diam. | Lux |
| 15' | 18" | 4" | 42204 | 32" | 6" | 17220 |
| 25' | 30" | 6" | 16144 | 54" | 8" | 5942 |
| 30' | 36" | 8" | 11839 | 60" | 9" | 4208 |
| 50' | 56" | 12" | 4208 | 96" | 16" | 1851 |
| 75' | 90" | 20" | 1883 | 186" | 24" | 645 |
| 100' | 120" | 30" | 949 | 204" | 36" | 495 |
| 125' | 150" | 36" | 607 | na | na | na |
| 150' | 180" | 44" | 422 | na | na | na |