

PHILIPS



ColorGraze QLX
Powercore

LED Luminaire

Date: _____

Type: _____

Firm Name: _____

Project: _____



ColorGraze QLX Powercore

RGB, 10° x 60° Beam Angle, 914 mm (3 ft)

Performance linear exterior LED wall grazing fixture with intelligent color light

Features outstanding light output at reduced power levels for the right balance between performance and price. Low-profile housing, connectorized cabling, a universal power input range, and direct line-voltage operation make fixtures easy to install and operate.

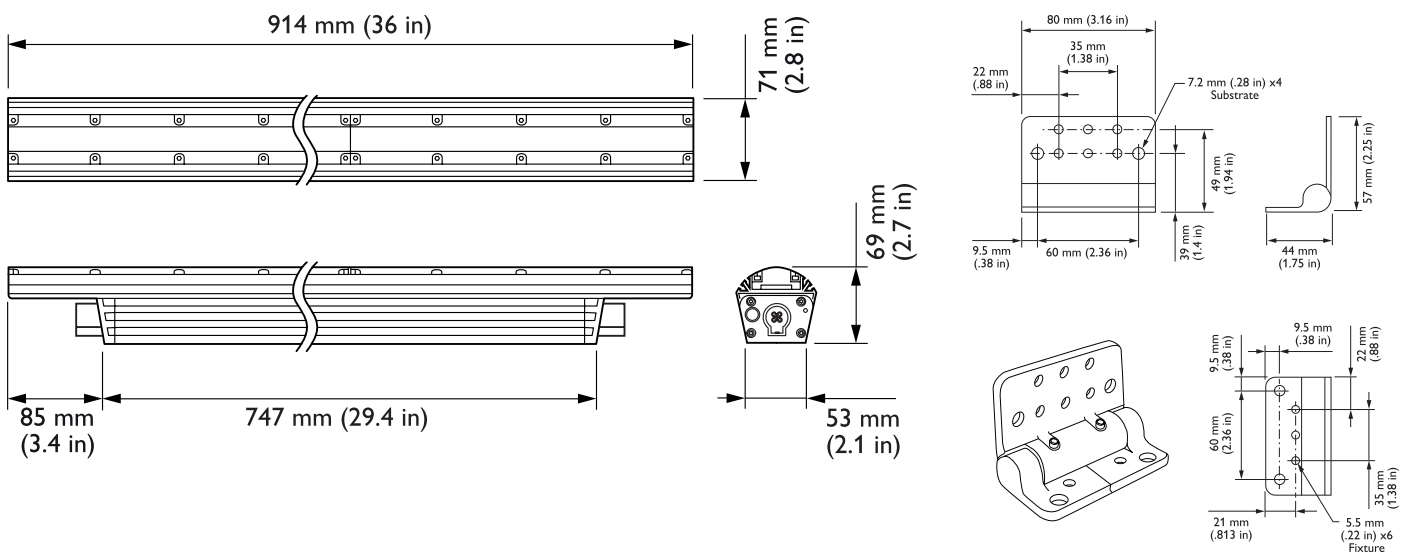
ColorGraze QLX Powercore

Performance linear exterior LED wall grazing fixture with intelligent color light

- Tailor light output to specific applications—Available in four standard lengths, with standard 9° x 9°, 10° x 60°, 15° x 30°, 30° x 60° and 60° x 30° beam angles. Individually addressable 305 mm (1 ft) segments accommodate fine control of color-changing effects and pre-programmed light shows.
- High-performance illumination and beam quality—ColorGraze QLX Powercore delivers over four hundred lumens of color-changing light per foot. Superior beam quality offers striation-free saturation for several feet from fixture placement with no visible light scalloping between fixtures.
- Integrates Powercore technology—Powercore technology rapidly, efficiently, and accurately controls power output to fixtures directly from line voltage. The Philips Data Enabler Pro merges line voltage with control and delivers them to the fixture over a single standard cable, dramatically simplifying installation and lowering total system cost.
- Versatile installation options—Convenient push-and-click connectors let you easily and rapidly install Leader Cables and Jumper Cables. Multiple cable lengths support a variety of layouts. Constant torque locking hinges offer simple and consistent position control from various angles. The low-profile aluminum housing accommodates placement within most architectural niches.
- Superior color consistency and accuracy—Optibin, an advanced binning algorithm, sets a new standard for the color consistency and uniformity of LED sources used in manufacturing. Chromasync technology achieves unprecedented consistency of light performance and color precision across multiple fixtures in an installation, while maximizing intensity and color range.
- Industry-leading controls—Fixtures work seamlessly with the complete Philips line of controllers, including Light System Manager, iPlayer 3, and ColorDial Pro, as well as third-party controllers.
- Universal power input range—Fixtures accept a universal power input range of 100–277 VAC for consistent installation anywhere in the world.
- Custom configurations for special applications—Create custom configurations to support special applications by exchanging the LED sources in any channel. Options include white LED color temperatures ranging from 2700 K to 6500 K, Blue, Green, Amber, and Red. 60° x 60° and 90° x 60° beam angles also available. See the ColorGraze Powercore Ordering Information specification sheet for complete details.

For detailed product information, please refer to the ColorGraze QLX Powercore Product Guide at www.colorkinetics.com/ls/rgb/colorgrazeqlxpowercore/

Dimensions



Specifications

Due to continuous improvements and innovations, specifications may change without notice.

Date: _____
 Type: _____
 Firm Name: _____
 Project: _____



ColorGraze QLX Powercore RGB, 10° x 60° Beam Angle, 914 mm (3 ft)

Output

Beam Angle	10° x 60°
Lumens†	1,224
Efficacy (lm/W)§§	19.9
LED Channels	Red/Green/Blue

Electrical

Input Voltage	100 – 277 VAC, auto-ranging, 50/60 Hz
Power Consumption <i>(Maximum at full output, steady state)</i>	45 W

Control

Interface	Data Enabler Pro (DMX or Ethernet)
-----------	------------------------------------

Control System

Philips Color Kinetics full range of controllers, including Light System Manager, Video System Manager Pro, iPlayer 3, Antumbra iColor Keypad, and ColorDial Pro, or third-party controllers

ActiveSite	ActiveSite Ready
------------	------------------

Lumen Maintenance

Threshold§	Ambient Temperature	Reported¶	Calculated¶
L ₇₀	25° C	>100000	60000
	50° C	91000	60000
L ₅₀	25° C	100000	100000
	50° C	80000	80000

Physical

Dimensions <i>(Height x Width x Depth)</i>	69 x 914 x 71 mm (2.7 x 36 x 2.8 in)
Weight	3.2 kg (7.1 lb)
Housing Material	Extruded anodized aluminium
Lens	Clear UV-protected polycarbonate
Fixture Connections	Integral male/female waterproof connectors
Mounting	Multi-positional, constant torque locking hinges

Temperature Ranges

-40° – 50° C (-40° – 122° F) Operating
 -20° – 50° C (-4° – 122° F) Startup
 -40° – 80° C (-40° – 176° F) Storage

Humidity	0 – 95%, non-condensing
----------	-------------------------

Fixture Run Lengths

To calculate fixture run lengths and total power consumption for your specific installation, download the Configuration Calculator from www.colorkinetics.com/support/install_tool/

Certification and Safety

Approbation	UL/cUL, FCC Class A, CE, PSE, C-Tick
Environment	Dry/Damp/Wet Location, IP66



† 305 mm (1 ft) lumen output measurements comply with IES LM-79-08 testing procedures. 610 mm (2 ft), 914 mm (3 ft), and 1219 mm (4 ft) measurements are estimated based on the 305 mm (1 ft) measurements.

§ Lxx = xx% lumen maintenance (when light output drops below xx% of initial output). All values are given at B10, or the median value where 90% of the LED population is better than the reported or calculated lumen maintenance measurement.

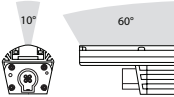
¶ Lumen maintenance figures are based on lifetime prediction graphs supplied by LED source manufacturers. Whenever possible, figures use measurements that comply with IES LM-80-08 testing procedures. In accordance with TM-21-11, Reported values represent the interpolated value based on six times the LM-80-08 total test duration (in hours). Calculated values represent time durations that exceed six times the total test duration.

§§ Efficacy measurements are estimated based on the 305 mm (1 ft) measurements.

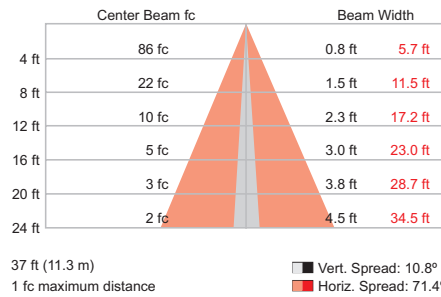
ColorGraze QLX Powercore Photometrics 305 mm (1 ft), 10° x 60° beam angle

Photometric data is based on test results from an independent NIST traceable testing lab. IES data is available at www.colorkinetics.com/support/ies.

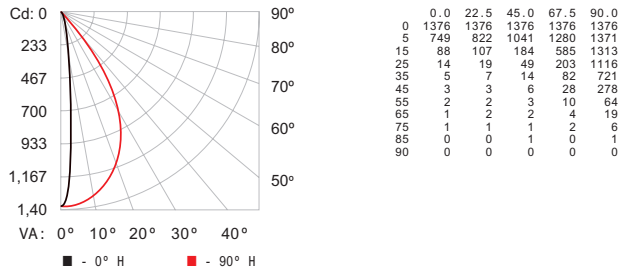
Beam Angle	10° x 60°
LED	RGB
Lumens	408
Efficacy (lm/W)	19.9



Illuminance at Distance



Polar Candela Distribution



Zonal Lumen

ZONE	LUMENS	%FIXT
0- 30	294	72.2
0- 40	359	88.1
0- 60	401	98.3
0- 90	408	100.0
90-120	0	0.0
90-130	0	0.0
90-150	0	0.0
90-180	0	0.0
0-180	408	100.0

For lux multiply fc by 10.7

Coefficients of Utilization - Zonal Cavity Method

Effective Floor Cavity Reflectance: 20%

RC	80		70		50		30		10		0	
RW	70	50	30	10	70	50	30	10	50	30	10	0
0	119119119119	116116116116	111111111111	106106106	102102102	100						
1	114111108106	11109107105	105103101	10110098	98979694							
2	10810310096	1061029895	999693	969391	93918988							
3	103979288	101959187	938986	908785	88868382							
4	98918682	96908581	888480	868279	84817877							
5	94868076	92858076	837975	817774	80767472							
6	90817571	88807571	797471	777370	76737068							
7	86777167	84767167	757067	747066	73696665							
8	82736764	81736763	716763	706663	70666361							
9	79706460	78696460	686360	676360	67636058							
10	76676158	75666157	656157	656057	64605756							

Fixture and Accessories

Use Item Number when ordering in North America.

Fixture	Item Number	Philips 12NC
ColorGraze QLX Powercore RGB, 10° x 60° Beam Angle, 914 mm (3 ft)	123-000079-31	910503703358
Accessories		
Inground Enclosure, Outer Box for 914 mm (3 ft) fixture	120-000190-05	912400133689
Inground Enclosure, Inner Box for 914 mm (3 ft) fixture	120-000190-04	912400133688
Leader Cable with Terminator, UL/cUL, 3.0 m (10 ft)	108-000055-03	910503704066
Leader Cable with Terminator, UL/cUL, 15.2 m (50 ft)	108-000055-00	910503703137
Leader Cable with Terminator, CE/PSE, 3.0 m (10 ft)	108-000055-04	910503704067
Leader Cable with Terminator, CE/PSE, 15.2 m (50 ft)	108-000055-01	910503704064
Jumper Cable, UL/cUL, End-to-End	108-000057-00	910503703139
Jumper Cable, UL/cUL, 305 mm (1 ft)	108-000057-03	910503704076
Jumper Cable, UL/cUL, 1.5 m (5 ft)	108-000057-06	910503704079
Jumper Cable, UL/cUL, 3.0 m (10 ft)	108-000057-09	910503704082
Jumper Cable, UL/cUL, 6.1 m (20 ft)	108-000057-12	912400130304
Jumper Cable, UL/cUL, 9.1 m (30 ft)	108-000057-15	912400130306
Jumper Cable, CE/PSE, End-to-End	108-000057-01	910503704074
Jumper Cable, CE/PSE, 305 mm (1 ft)	108-000057-04	910503704077
Jumper Cable, CE/PSE, 1.5 m (5 ft)	108-000057-07	910503704080
Jumper Cable, CE/PSE, 3.0 m (10 ft)	108-000057-10	910503704083
Jumper Cable, CE/PSE, 6.1 m (20 ft)	108-000057-13	912400130299
Jumper Cable, CE/PSE, 9.1 m (30 ft)	108-000057-16	912400130307
Glare Shield, 914 mm (3 ft)	120-000081-02	910503700747
Additional Terminators, Quantity 10	120-000157-00	910503703142
Power Supplies		
Data Enabler Pro, 3/4 in / 1/2 in NPT (U.S. trade size conduit)	106-000004-00	910503701210
Data Enabler Pro, PG21/PG13 (metric size conduit)	106-000004-01	910503701211

Copyright © 2017 Philips Solid-State Lighting Solutions, Inc. All rights reserved. Chromacore, Chromasic, CK, the CK logo, Color Kinetics, the Color Kinetics logo, ColorBlast, ColorBlaze, ColorBurst, eW Fuse, ColorGraze, ColorPlay, ColorReach, iW Reach, eW Reach, DIMand, EssentialWhite, eW, EvenBalance, iColor, iColor Cove, IntelliWhite, iW, iPlayer, Optibin, and Powercore are either registered trademarks or trademarks of Philips Solid-State Lighting Solutions, Inc. in the United States and/or other countries. All other brand or product names are trademarks or registered trademarks of their respective owners. Due to continuous improvements and innovations, specifications may change without notice.

DAS-000114-52 R01 17 Jun 2016



Philips Color Kinetics
www.philips.com/colorkinetics