

7" Modero® S Series Wall Mount Touch Panel

MSD-701-L2 (FG2265-32)



Overview

The MSD-701 / 7" Modero S Series Wall Mount Touch Panel is a versatile, yet affordable control surface that is equally suited for scheduling or room control. With a generous selection of mounting options, the MSD-701 can be placed on any flat surface (including glass) inside or outside a conference room or classroom, and the built-in room availability bar shows green or red depending on if the room is currently booked. Key features include a brilliant 24-color depth, PoE connectivity, video streaming, and VoIP support – all at an economical price point.

Common Applications

- The MSD-701 allows even the most cost sensitive meeting spaces to benefit from a dedicated scheduling panel, allowing users to view the room schedule at a glance and even reserve the room right from the panel.
- The MSD-701 is also ideal as a second touch panel that is mounted on the wall or in a podium or lectern in a large conference room or classroom.

Features

- **Powerful Graphics** – Powered by the G4 graphics engine, the Modero S Series features streaming video and brilliant 24-bit color depth
- **Elegant Room Availability Bar with 180° Visibility** – Easily glance down the hall to see if meeting spaces are occupied
- **Mount to Any Smooth Surface Including Glass** – Use the optional Multi Mount Kit and mount the Modero S wall touch panel to any smooth surface
- **Elegant & Responsive User Interface** – Exclusive SmoothTouch™ display supports single touch gesturing and delivers responsive performance
- **Architectural Design Consistency** – Install both Modero S and Modero X touch panels throughout a facility for consistent style on any budget

Specifications

TOUCH SCREEN DISPLAY	
Display Type	TFT Active Matrix Color LCD with Fringe Field Switching (FFS) - Wide Viewing Angle Technology
Display Size (WH)	7.3" x 4.8" (186 mm x 122 mm), 8.8" (222 mm) diagonal
Viewable Area (WH)	6.05" x 3.54" (154 mm x 90 mm), 7.0" (178 mm) diagonal
Resolution (WH)	1024x600
Aspect Ratio (WH)	16:9
Brightness	400 cd/m2
Contrast Ratio	800:1
Color Depth	16.7M colors
Illumination	LED
Touch Overlay	Resistive
Viewing Angle	89°/89°/89°/89° (Up/Down/Left/Right)

MEMORY	
SDRAM	512 MB
Flash	4 GB
Maximum Project Size	2.4 GB flash available to user

COMMUNICATIONS	
ETHERNET	10/100 port, RJ-45 connector. Supported IP and IP-Based Protocols: UCP, TCP, ICMP, ICSP, IGMP, DHCP, Telnet, FTP, DNS, RFB (for VNC), HTTP
USB	(1) USB host 2.0, Type A port: firmware upgrade, touch panel file transfer, JPEG image viewer, HID peripherals
Bluetooth®	Mouse/Keyboard: HID Profile v1.1, requires MXA-BT, Bluetooth USB Adapter for Modero X/S Series Touch Panels (FG5968-19) and MXA-HST, Bluetooth Handset for Modero X/S Touch Panels (FG5968-17)

VIDEO	
Supported Video Codecs	MPEG-2-TS: MPEG-2 Main Profile @ High Level up to 720p at 25 fps (decode) MPEG-2-TS: H.264 High Profile@Layer 4, AAC-LC up to 720p at 25 fps (decode) MJPEG up to 720p at 25 fps (decode only)
Supported Video Transport Streams	MPEG-TS for MPEG-2 and H.264; HTTP for MJPEG
Max Number of Active Video Streams	One decode

AUDIO	
Microphone	-42 dB ± 3 dB sensitivity FET microphone
Speakers	4 ohm, 1.5 Watt, 500 Hz cutoff frequency
Supported Audio Codecs	MP2 Layer I and II, MP3 (8 kHz, 11.025 kHz, 12 kHz, 16 kHz, 22.05 kHz, 24 kHz, 32 kHz, 44.1 kHz, 48 kHz) AAC-LC (8 kHz, 96 kHz) G.711 with μLaw (VoIP encode/decode at 8 kHz)

File Formats	WAV, MP3 (as part of touch panel file only - no USB storage)
Intercom	Full Duplex VoIP, SIP v2.0

GRAPHICS ENGINE	
AMX G4	AMX's exclusive, powerful G4 graphics engine – the driving force behind the advanced graphics and image processing capability on a variety of AMX Touch Panels and other devices (see TPD4 Operations Guide for more information)

EMBEDDED APPLICATIONS	
Remote Management	VNC Server, G4 Web Control
Panel-to-Panel Conferencing	Receives audio and video and returns audio for panel-to-panel communication
Audio Conferencing	Audio (full duplex intercom)

FRONT PANEL COMPONENTS	
Sleep Button	Sleep button to activate sleep mode and powering off. Also provides access to setup pages (can be disabled)
Programmable Red/Green LEDs	Programmable red/green LED in the front, left and right sides of the panel, LEDs are beautifully recessed and nearly invisible when not lit

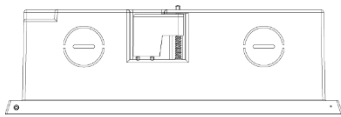
CONNECTIONS	
Ethernet	10/100 port, RJ-45 connector
USB	(1) USB host 2.0, type A port
Power	PoE (Power over Ethernet), 802.3af, class 0

ENVIRONMENTAL	
Temperature (Operating)	32° F to 104° F (0° C to 40° C)
Temperature (Storage)	4° F to 140° F (-20° C to 60° C)
Humidity (Operating)	20% to 85% RH
Humidity (Storage)	5% to 85% RH
Power (“Heat”) Dissipation	On: 22.2 BTU/hr Standby: 14.3 BTU/hr

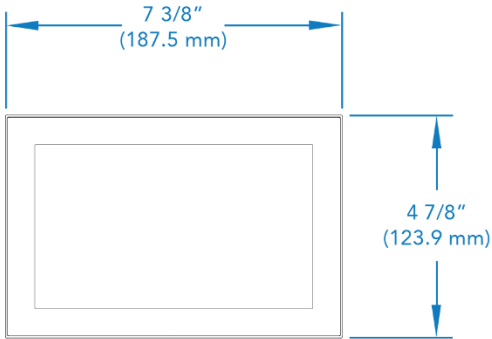
GENERAL	
Dimensions (HWD)	4 7/8” x 7 3/8” x 2 1/4” (123.9 mm x 187.5 mm x 58 mm), with back box
Weight	1.05 lbs (.680 Kg), with back box 0.8 lbs (.363 Kg), without back box
Power Consumption	Full-On: 11 W (max) Typical: 7.5 W Standby: 4.5 W Shutdown: 0.7 W
Start-Up Inrush Current	Not applicable due to PoE standard
External Power Supply Required	Optimal performance requires use of one of the following AMX PoE power supplies (not included): •PS-POE-AF-TC, PoE Injector, 802.3AF Compliant (FG423-83) •NXA-ENET8-2POE, Gigabit PoE Ethernet Switch (FG2178-63)

Regulatory Compliance	<p>FCC Part 15 Class B CE EN 55022 CE EN 55024 CE EN 60950-1 IEC 60950-1 IC CISPR 22 Class B C-Tick CISPR 22 Class B UL 60950-1 VCCI CISPR 22 Class B RoHS WEEE</p>
Optional Accessories	<ul style="list-style-type: none"> • MXA-MP, Modero X/S Series Multi Preview (FG5968-20) • MXA-MPL, Modero X/S Series Multi Preview Live (FG5968-10) • PS-POE-AF-TC, PoE Injector, 802.3AF Compliant (FG423-83) • NXA-ENET8-2POE, Gigabit PoE Ethernet Switch (FG2178-63) • MXA-BT, Bluetooth USB Adapter for Modero X/S Series Touch Panels (FG5968-19) • MXA-HST, Bluetooth Handset for Modero X/S Touch Panels (FG5968-17) • CB-MXSA-07, Rough-In Box and Cover Plate for Modero X/S Series Touch Panel, 7" (FG2265-18) • MSA-MMK-07, Multi Mount Kit, for use with MSD-701 (FG2265-12) • MSA-MMK2-07, Multi Mount Kit, for use with MSD-701-L2, RMBK-701 (FG2265-22) • MSA-RMK-07, Rack Mount Kit for Modero S Series Touch Panel, 7" (FG2265-15) • MSA-AMK-07, Any Mount Kit, for use with MSD-701 (FG2265-25) • MSA-AMK2-07, Any Mount Kit, for use with MSD-701-L2, RMBK-701 (FG2265-35) • MXA-CLK, Modero X/S Series Screen Cleaning Kit (FG5968-16) • MXA-USB-C, USB Port Covers for the Modero X/S Series Touch Panels (FG5968-18)

For a more detailed PDF or DXF pictorial drawing please visit: <http://www.amx.com/products/MSD-701.asp>



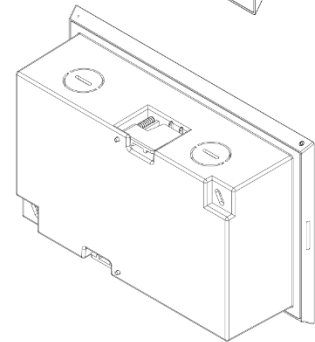
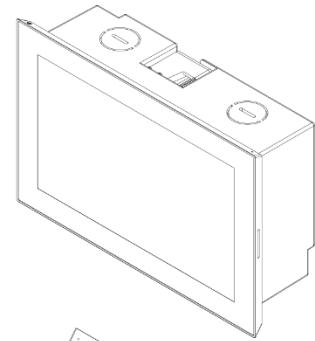
MSD-701
(Top View)



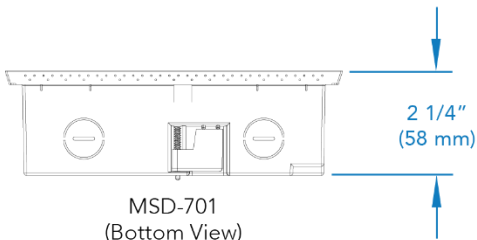
MSD-701
(Front View)



MSD-701
(Right View)



MSD-701
(Isometric Views)



MSD-701
(Bottom View)

About AMX by HARMAN

Founded in 1982 and acquired by HARMAN in 2014, AMX® is dedicated to providing AV solutions for an IT World. AMX solves the complexity of managing technology with reliable, consistent and scalable systems comprising control, video switching and distribution, digital signage and technology management. AMX systems are deployed worldwide in conference rooms, classrooms, network operation/command centers, homes, hotels, entertainment venues and broadcast facilities, among others. AMX is part of the HARMAN Professional Group, the only total audio, video, lighting, and control vendor in the professional AV market. HARMAN designs, manufactures and markets premier audio, video, infotainment and integrated control solutions for the automotive, consumer and professional markets. Revised 06.16.16. ©2016 Harman. All rights reserved. Specifications subject to change.

www.amx.com | +1.469.624.7400 | 800.222.0193