

V SERIES WORKSTATION

●●●●● ARGOSY

Imagine -
then transform.

SYSTEM DU JOUR - V Series gives you flexibility to adapt to an ever changing world quickly. Unleash the power of your rack equipment by bringing it right into the console environment. Create the console specific to your application.

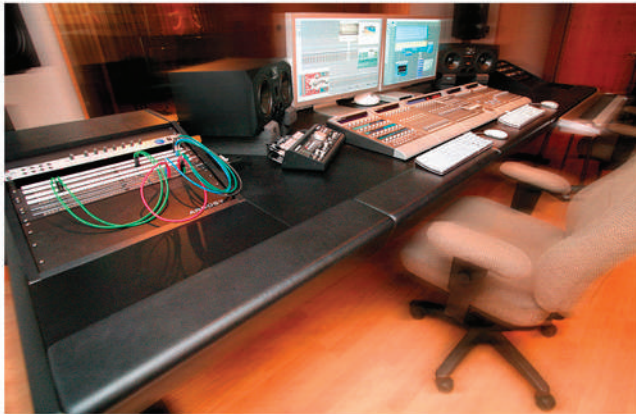
Your dream studio
just got closer.

ph: 573.348.3333 toll free: 800.315.0878



V SERIES WORKSTATION

THE MODULAR DESIGN of V Series workstations allow you to mix the best of both rack mount and/or desk top components and achieve a fully integrated console appearance. This versatile console system combines function, comfort, and style for your control room.



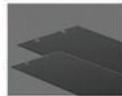
ACCESSORIES



Mahogany
Hardwood
Endpanels



Casters



Blank Panels



Rack Rail
Screws

NEED A CUSTOMIZED SOLUTION?

Give us a call to discuss what you have in mind, we're happy to help.



90-V2R-1000

Depth: 47.25"

Width: 89.5"

Height: 29.5"

WARRANTY

ARGOSY WARRANTS ALL MATERIALS AND WORKMANSHIP TO BE FREE OF DEFECTS FOR A PERIOD OF ONE YEAR.

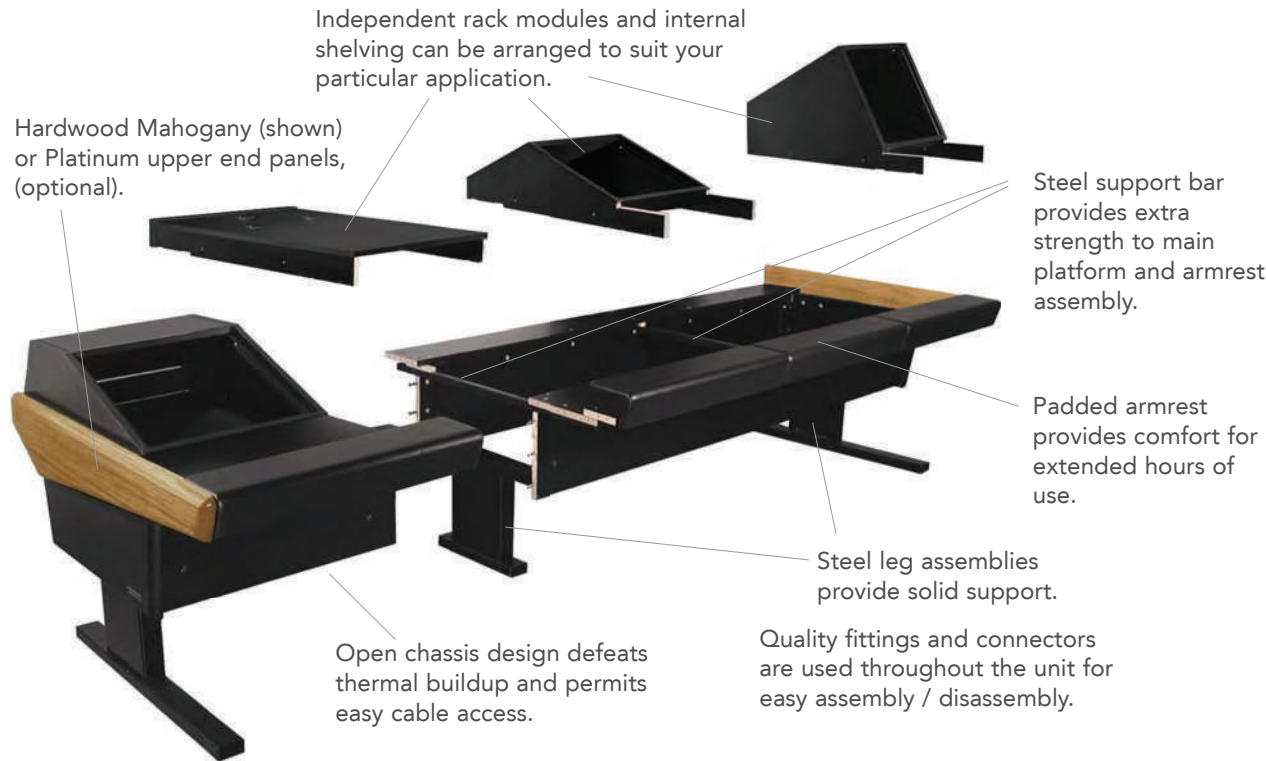
For more information about our products and services or to see a list of dealers, please visit us at www.argosyconsole.com or call the numbers below.

©2008 ARGOSY CONSOLE, INC. All rights reserved. Argosy is a registered trademark of Argosy Console, Inc. Other trademarked names are the property of their respective owners.

ph: 573.348.3333 toll free: 800.315.0878

90V SERIES

FEATURES AND TECHNICAL SPECIFICATIONS



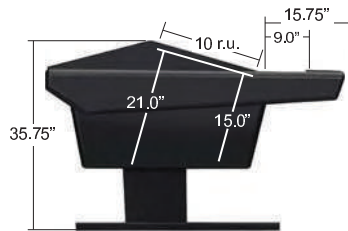
90V Series consoles ship disassembled for easy installation. *Free shipping within the continental United States.

Chassis components are made of 19mm and 32mm MDF to provide durability, strength, and density for minimal acoustical influence.

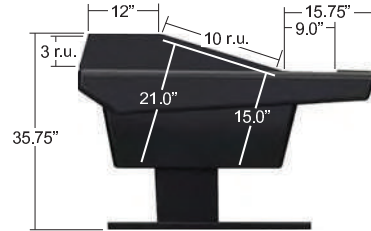
Open chassis design defeats thermal buildup and permits easy cable access. Enclosed utility area separates, conceals, and protects vital gear and cabling.

Producers desk inserts provide additional workspace and flexibility to accommodate different configurations.

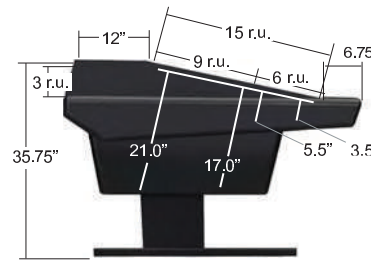
Patented modular expandability allows 90V Series chassis to be configured in width from 7.5' (228.6cm) to 19.6' (598.4cm) in 29.2" (74.2cm) segments.



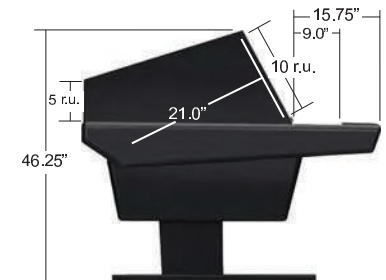
V Series profile with V1000 rack module.



V Series profile with V1003 rack module.



V Series profile with V1503 rack module.

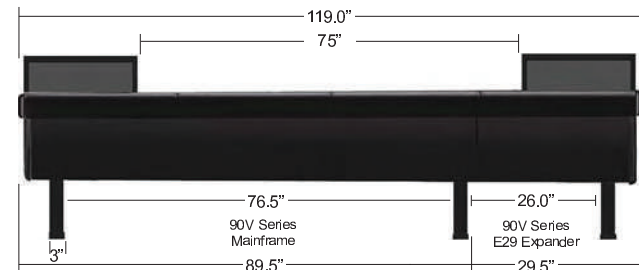
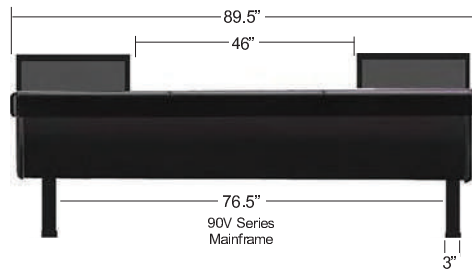
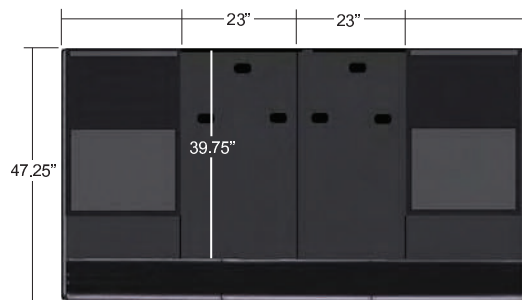


V Series profile with V1005 rack module.

90V SERIES

FEATURES AND TECHNICAL SPECIFICATIONS

V Series presents a world of possibilities - far too many to show here. To obtain even more detailed information or inquire about specific modifications, please call us toll free at 800.315.0878 or go online and email your request to: info@argosyconsole.com. We are happy to help you. As a direct company we are able to respond immediately and assist you in creating your custom configuration.



70V SERIES

FEATURES AND TECHNICAL SPECIFICATIONS



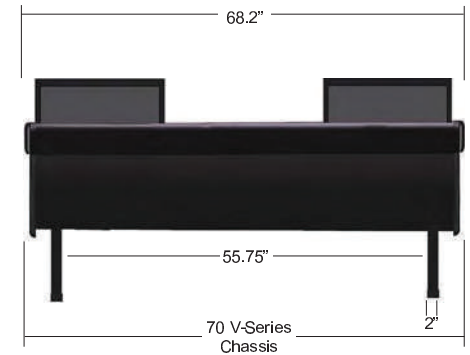
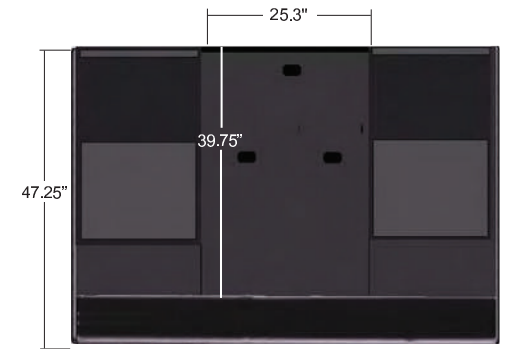
70V Series consoles ship disassembled for easy installation. *Free shipping within the continental United States.

Chassis components are made of 19mm MDF to provide strength and durability with minimal acoustical influence.

Open chassis design defeats thermal buildup and permits easy cable access. Enclosed utility area separates, conceals, and protects vital gear and cabling.

Producers desk inserts provide additional workspace and flexibility to accommodate different configurations.

See page 3 for profile dimensions of each V Series rack module.



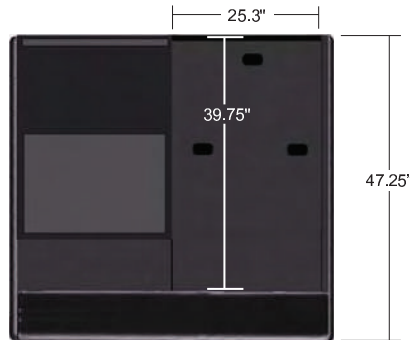
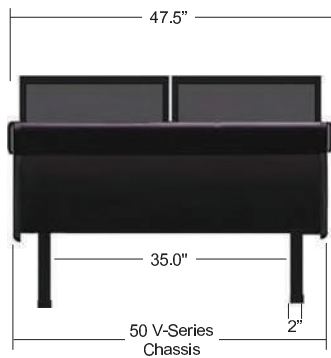
50V SERIES

FEATURES AND TECHNICAL SPECIFICATIONS

50V Series consoles are shipped disassembled for easy installation.
 *Free shipping within the continental United States.

Chassis components are made of 19mm MDF to provide strength and durability with minimal acoustical influence.

Open chassis design defeats thermal buildup and permits easy cable access. Enclosed utility area separates, conceals, and protects vital gear and cabling.



VR1003
 10 Rack Unit Spaces in the front
 3 Rack Unit Spaces in the back

VR1000
 10 Rack Unit Spaces in the front

VR1005
 10 Rack Unit Spaces in the front
 5 Rack Unit Spaces in the back

VR1503
 15 Rack Unit Spaces in the front
 3 Rack Unit Spaces in the back

Flat Desk Insert w/ grommets.

Mix or match insert modules as desired.

Compatible with any V Series rack modules.

Padded armrest provides comfort for extended hours of use.

50V uses the 50 Series chassis, but allows total customization of racks and/or flat desk space.

Steel leg assemblies provide solid support.