


 DO NOT ATTEMPT TO INSTALL OR USE A PRODUCT UNTIL YOU HAVE READ AND UNDERSTAND THE USER MANUAL AND SAFETY LABELS. 

3U RACK SHELF

19 INCH 3U GEAR RACK SHELF FOR CV AND PIXIE DRIVERS



 DO NOT ATTEMPT TO INSTALL OR USE A PRODUCT UNTIL YOU HAVE READ AND UNDERSTOOD THE USER MANUAL AND SAFETY LABELS. 

PRODUCT DESCRIPTION

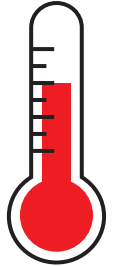
THIS PRODUCT IS USED TO HOUSE THE CV DRIVER OR PIXIE DRIVER. THE PURPOSE IS TO CONVENIENTLY MOUNT MULTIPLE PRODUCTS WITHIN THE ONE RACK MOUNTED SHELF. THE SHELF IS DESIGNED FOR USE WITHIN A 19 INCH GEAR RACK, IT COULD OTHERWISE BE USED IN A CUSTOM BUILT RACK/ MOUNTING SYSTEM. THE PRODUCT OCCUPIES 3 RACK UNITS.

ORDER CODES

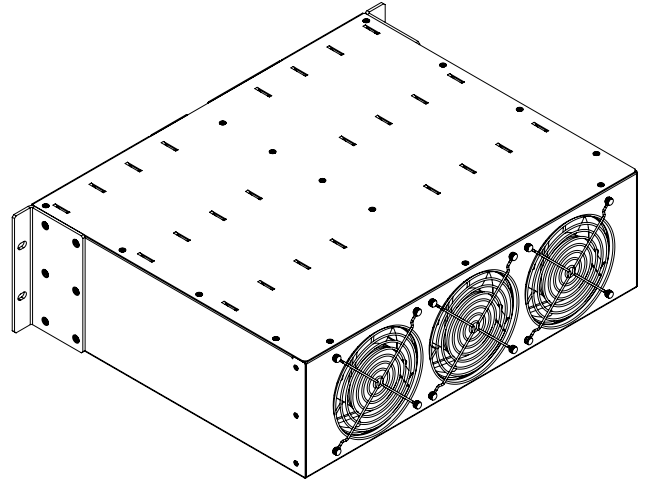
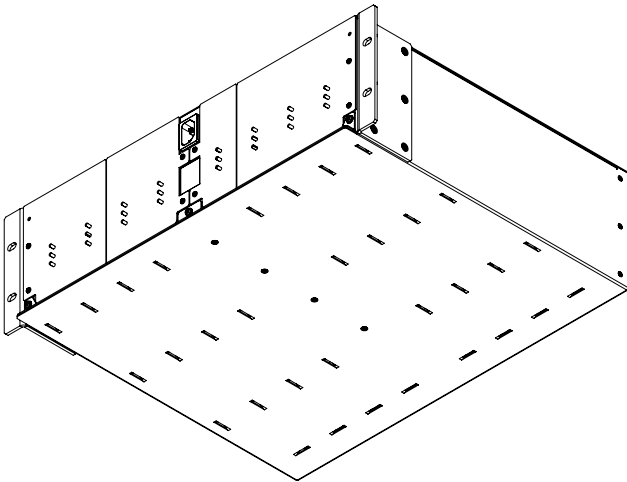
CODE	DESCRIPTION
73530-230	8 x CV DRIVER, 3U 19" RACK SHELF (230VAC)
73530-115	8 x CV DRIVER, 3U 19" RACK SHELF (115VAC)
73550-230	8 x PIXIE DRIVER, 3U 19" RACK SHELF (230VAC)
73550-115	8 x PIXIE DRIVER, 3U 19" RACK SHELF (115VAC)

THERMAL MANAGEMENT

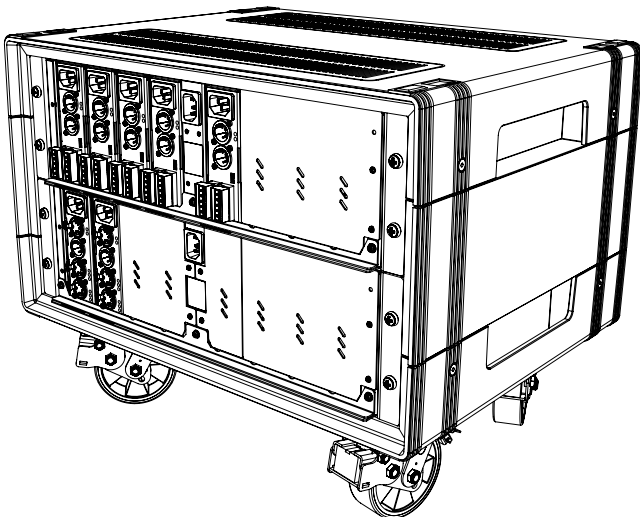
THE 3U RACK SHELF MUST BE RECEIVING POWER DURING OPERATION AND THE FANS MUST BE OPERATIONAL. IF THE FANS ARE NOT OPERATING THE PRODUCTS HOUSED WILL OVERHEAT RESULTING IN PRODUCT FAILURE. DO NOT OBSTRUCT FANS, DO NOT INSTALL THE PRODUCT IN AN AREA RESTRICTING AIR FLOW.



ISOMETRIC



IN SITU



BOX CONTENTS

- 1 x 3U RACK SHELF
- 4 x BLANKING PLATES (WITH SCREWS)
- 1 x USER MANUAL
- 2 x RACK EARS (WITH SCREWS)

73550-115/230 ALSO INCLUDES

- 8 x PIXIE DRIVER ADAPTATION PLATE

DOES NOT INCLUDE POWER PLUG OR RACK MOUNT SCREWS.

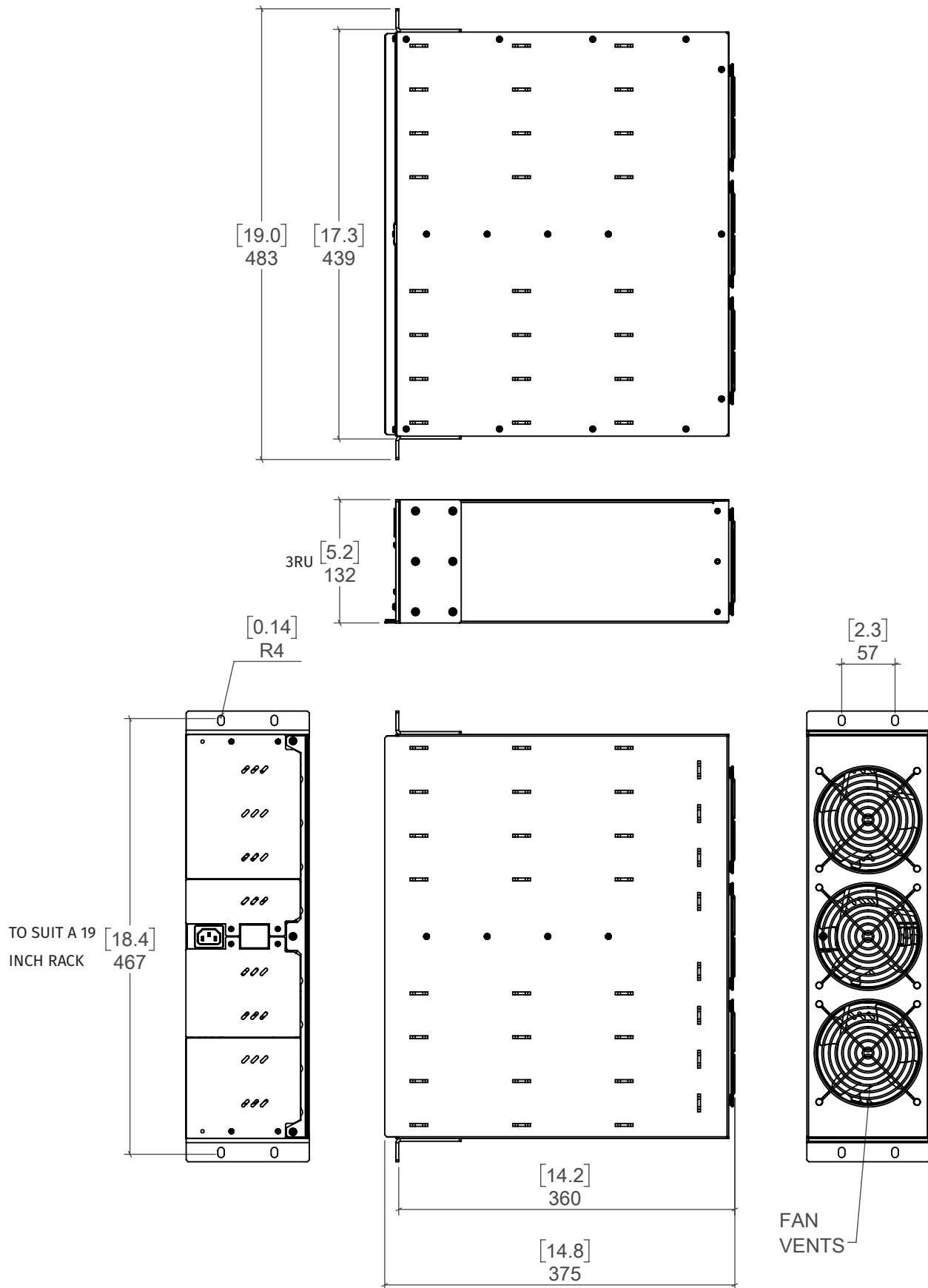
PACKAGING

MATERIAL	RECYCLABLE CARDBOARD
SIZE	H: 154mm, W: 410mm, L: 460mm H: 6.0in, W: 15.8in, L: 18.1in
VOLUME	0.0285 m ³ , 1.01 ft ³
SHIPPED WEIGHT	8.5 kg, 18.7 lbs

3U RACK SHELF

DATA SHEET
ID: 3401646
REV A

DIMENSIONS

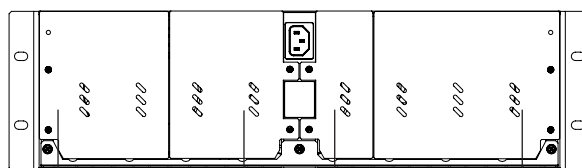
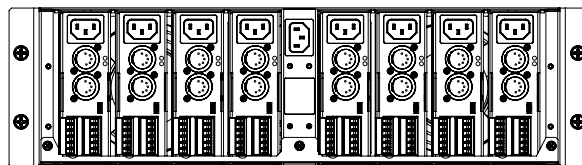
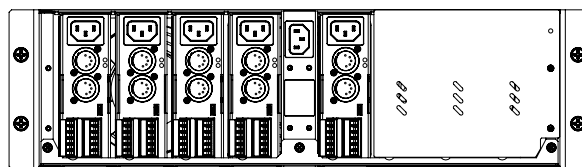
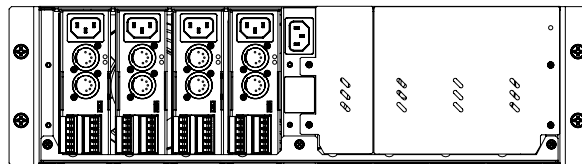
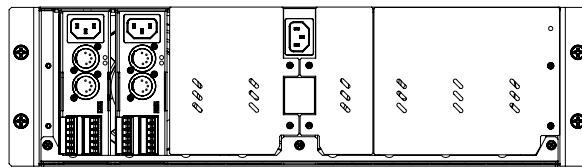


TECHNICAL DATA

PRODUCT CODE	73530-230	73530-115	73550-230	73550-115
INPUT VOLTAGE	230 VOLTS	115 VOLTS	230 VOLTS	115 VOLTS
INPUT FREQUENCY	50/60 Hz			
POWER	24 WATTS			
WEIGHT	7.5 kg, 16.5 lbs			
AMBIENT OPERATING	-10 ~ 70°C, 14 ~ 158°F, NON CONDENSING ENVIRONMENT (DOES NOT APPLY TO HOUSED PRODUCTS)			
AMBIENT STORAGE	-40 ~ +70°C, -40 ~ 158°F, NON CONDENSING ENVIRONMENT			
WARRANTY	3 YEARS			
RACK UNITS	3 RACK UNITS			
THERMAL MANAGEMENT	ACTIVE (FAN COOLED)			
TOTAL FAN NOISE	35dB			
FAN LIFETIME AT TEMP	50,000 HOURS @ 25°C			
INGRESS PROTECTION	IP20			

BLANKING PLATE CONFIGURATIONS

BLANKING PLATES WILL SUIT ANY CONFIGURATION FROM 1-8 DRIVERS. BELOW THE RACK IS PICTURED MOUNTING THE PIXIE DRIVER.



BLANK PLATE 1 BLANK PLATE 2 BLANK PLATE 3 BLANK PLATE 4

CONSTRUCTION DETAILS

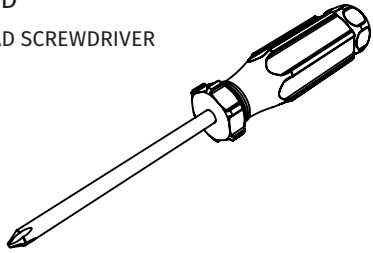
MATERIAL	CARBON STEEL
COATING	POLYESTER (POWDERCOAT)
MAIN COLOUR	BLACK TEXTURE
FASTENERS	ZINC PLATED

MECHANICAL ASSEMBLY

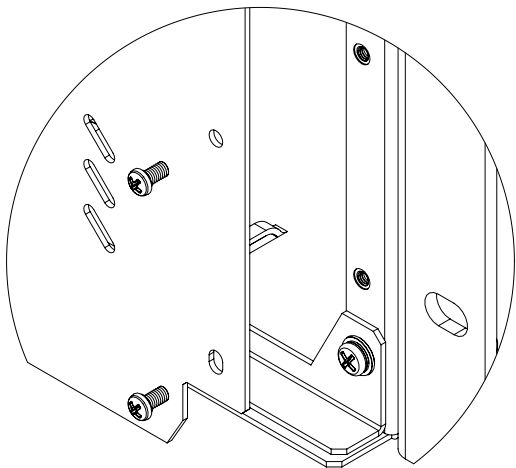
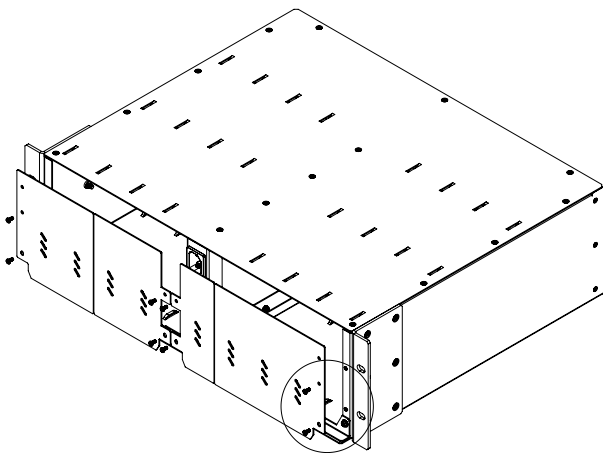
BLANKING PLATES AND RACK EARS ARE SUPPLIED LOOSE, ASSEMBLY WILL BE REQUIRED

TOOLS REQUIRED

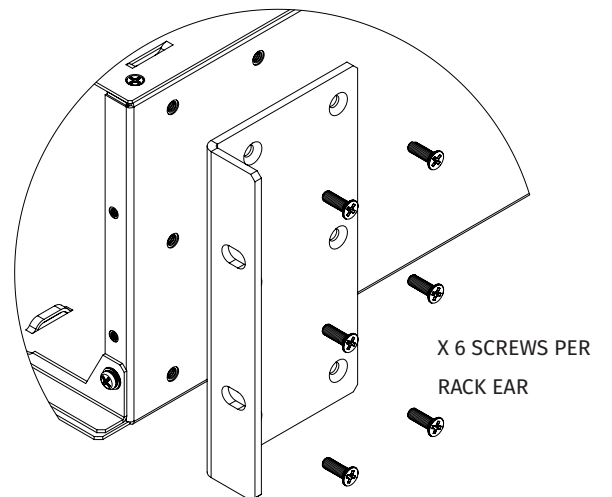
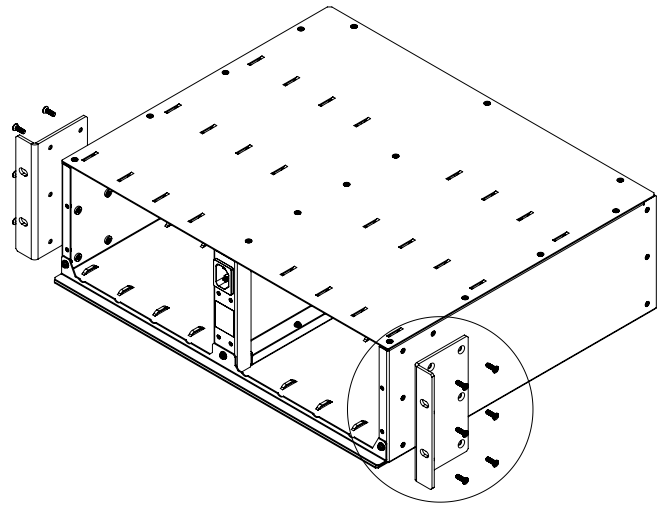
NO.02 PHILLIPS HEAD SCREWDRIVER



BLANKING PLATES

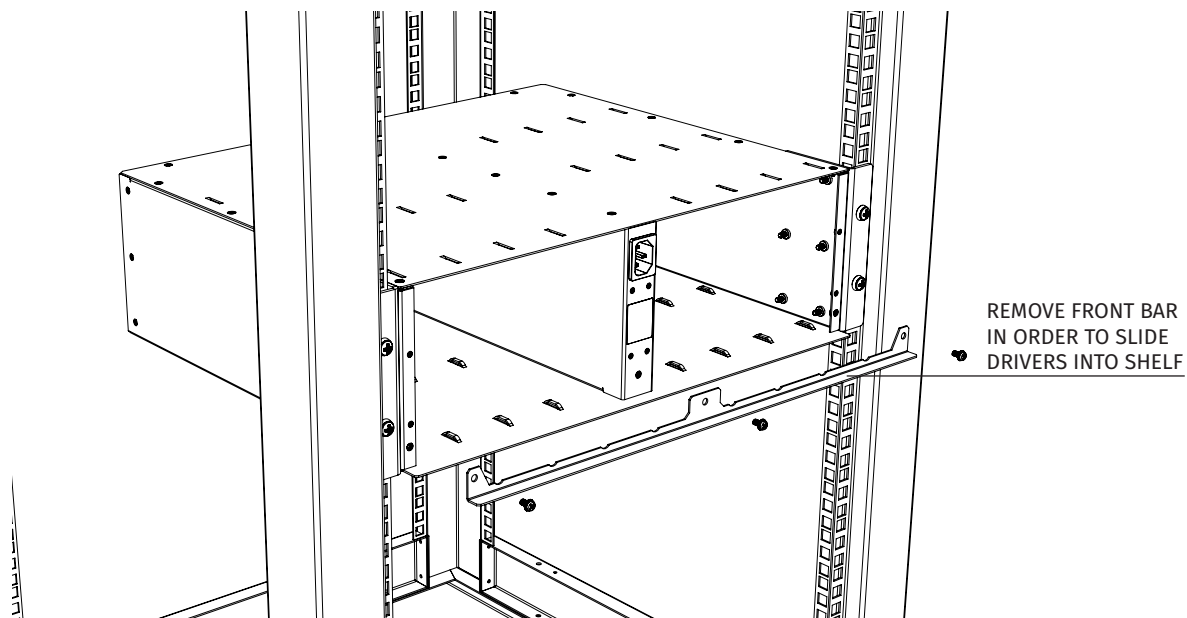


RACK EARS

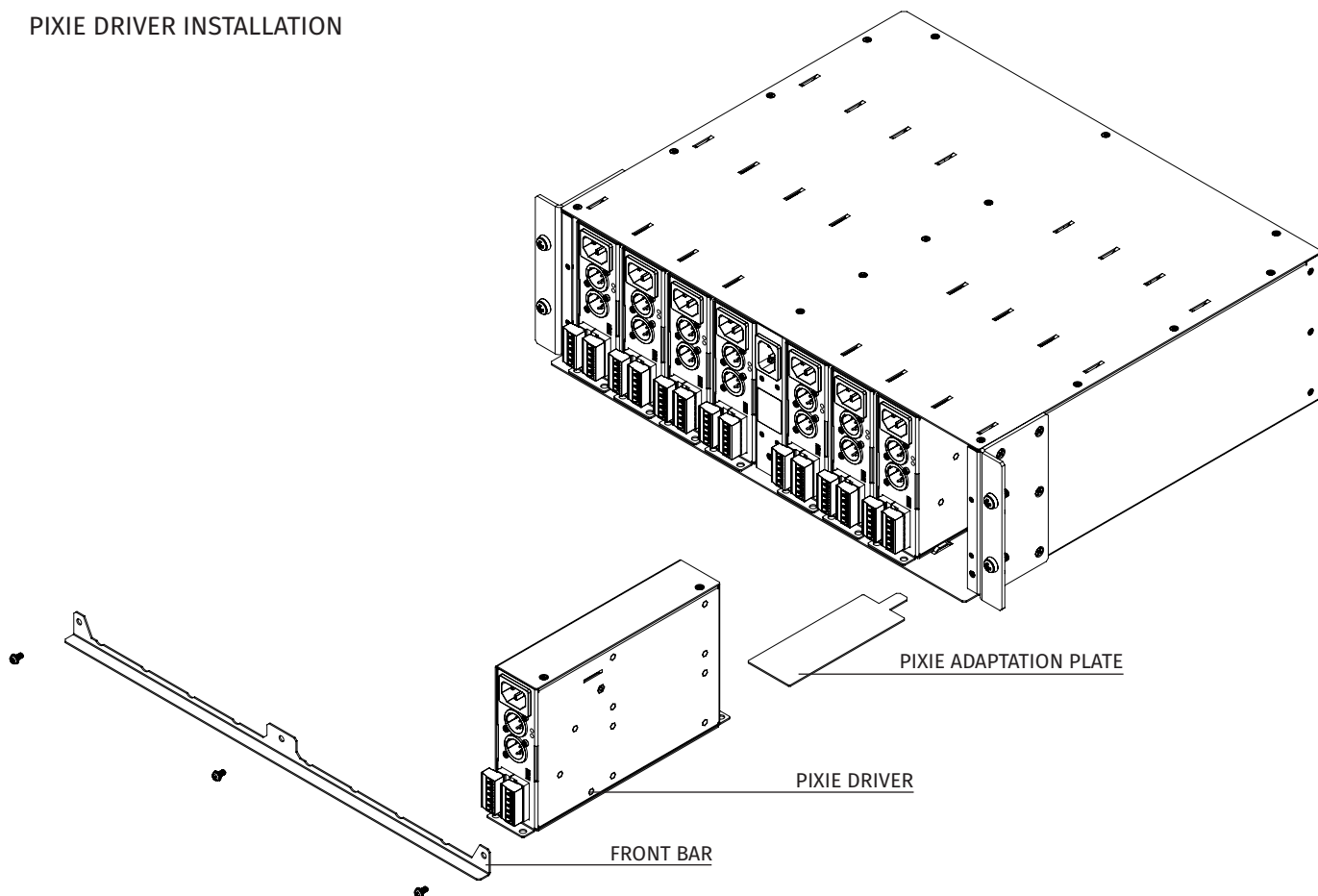


RACK MOUNT

ENTTEC RECOMMENDS INSTALLING THE 3U RACK SHELF IN THE RACK PRIOR TO LOADING THE SHELF WITH THE DRIVERS.



PIXIE DRIVER INSTALLATION



CV DRIVER INSTALLATION

