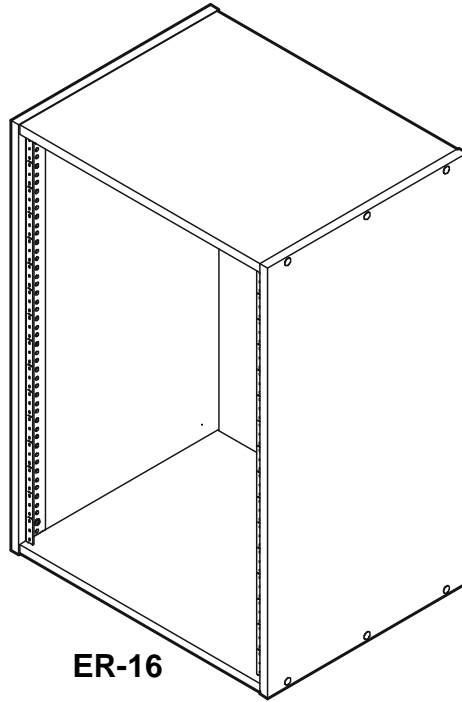

INSTALLATION INSTRUCTIONS




Economy Racks


DISCLAIMER


Milestone AV Technologies and its affiliated corporations and subsidiaries (collectively "Milestone"), intend to make this manual accurate and complete. However, Milestone makes no claim that the information contained herein covers all details, conditions or variations, nor does it provide for every possible contingency in connection with the installation or use of this product. The information contained in this document is subject to change without notice or obligation of any kind. Milestone makes no representation of warranty, expressed or implied, regarding the information contained herein. Milestone assumes no responsibility for accuracy, completeness or sufficiency of the information contained in this document.


Chief® is a registered trademark of Milestone AV Technologies. All rights reserved.


 **IMPORTANT SAFETY INSTRUCTIONS**

 **WARNING:** A WARNING alerts you to the possibility of serious injury or death if you do not follow the instructions.

 **CAUTION:** A CAUTION alerts you to the possibility of damage or destruction of equipment if you do not follow the corresponding instructions.

 **WARNING:** Failure to read, thoroughly understand, and follow all instructions can result in serious personal injury, damage to equipment, or voiding of factory warranty! It is the installer's responsibility to make sure all components are properly assembled and installed using the instructions provided.



 **WARNING:** Failure to provide adequate structural strength for this component can result in serious personal injury or damage to equipment! It is the installer's responsibility to make sure the structure to which this component is attached can support five times the combined weight of all equipment. Reinforce the structure as required before installing the component.


 **WARNING:** Exceeding the weight capacity can result in serious personal injury or damage to equipment! It is the installer's responsibility to make sure the combined weight of all components located within the rack does not exceed 150 lbs (68.0 kg). Use with products heavier than the maximum weight indicated may result in instability or collapse of the rack causing possible injury.

IMPORTANT ! : Minimum spacings between the Accessories and components and the (ITC/AV) Rack Enclosure shall be maintained for safe operation of the equipment when installed in accordance with the National Electric Code, ANSI/NFPA 70-2008. Operating temperature inside rack shall not exceed 104°F.

--SAVE THESE INSTRUCTIONS--

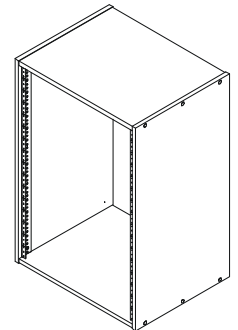
LEGEND

	Tighten Fastener
	Apretar elemento de fijación
	Befestigungsteil festziehen
	Apertar fixador
	Serrare il fissaggio
	Bevestiging vastdraaien
Serrez les fixations	
	Loosen Fastener
	Aflojar elemento de fijación
	Befestigungsteil lösen
	Desapertar fixador
	Allentare il fissaggio
	Bevestiging losdraaien
Desserrez les fixations	

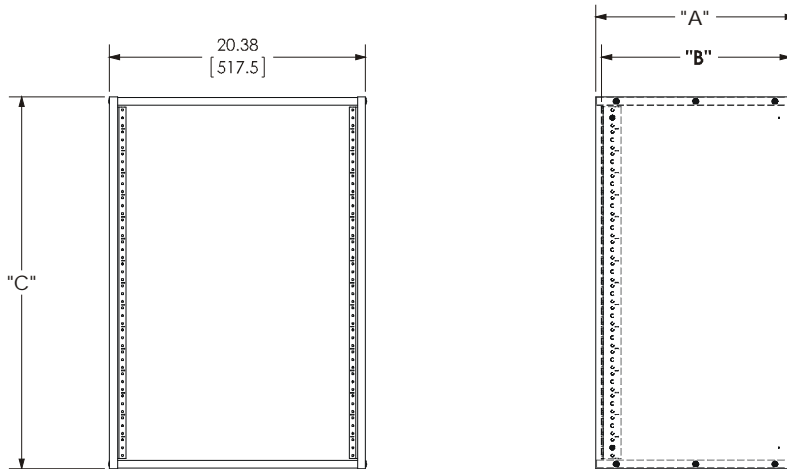
	Phillips Screwdriver
	Destornillador Phillips
	Kreuzschlitzschraubendreher
	Chave de fendas Phillips
	Cacciavite a stella
	Kruiskopschroevendraaier
Tournevis à pointe cruciforme	

DIMENSIONS

MODEL	RACK HEIGHT	DEPTH "A"	USABLE DEPTH "B"	HEIGHT "C"	HEIGHT W/CASTERS
ER-4	4 SPACE	15.9 [403mm]	15 [381mm]	8.6 [219mm]	11.5 [292mm]
ER-6	6 SPACE	15.9 [403mm]	15 [381mm]	12.1 [308mm]	15.0 [381mm]
ER-8	8 SPACE	15.9 [403mm]	15 [381mm]	15.6 [397mm]	18.5 [470mm]
ER-10	10 SPACE	15.9 [403mm]	15 [381mm]	19.1 [486mm]	22.0 [559mm]
ER-12	12 SPACE	15.9 [403mm]	15 [381mm]	22.6 [574mm]	25.5 [648mm]
ER-14	14 SPACE	15.9 [403mm]	15 [381mm]	26.1 [664mm]	29.0 [737mm]
ER-16	16 SPACE	15.9 [403mm]	15 [381mm]	29.6 [753mm]	32.5 [825mm]
ER-20	20 SPACE	15.9 [403mm]	15 [381mm]	36.6 [930mm]	39.5 [1003mm]
ER-8-18	8 SPACES	17.9 [454mm]	17 [431mm]	15.6 [397mm]	18.5 [470mm]
ER-12-18	12 SPACES	17.9 [454mm]	17 [431mm]	22.6 [574mm]	25.5 [648mm]
ER-16-18	16 SPACES	17.9 [454mm]	17 [431mm]	29.6 [753mm]	32.5 [825mm]
ER-20-18	20 SPACES	17.9 [454mm]	17 [431mm]	36.6 [930mm]	39.5 [1003mm]



NOTE: ER-16 SHOWN

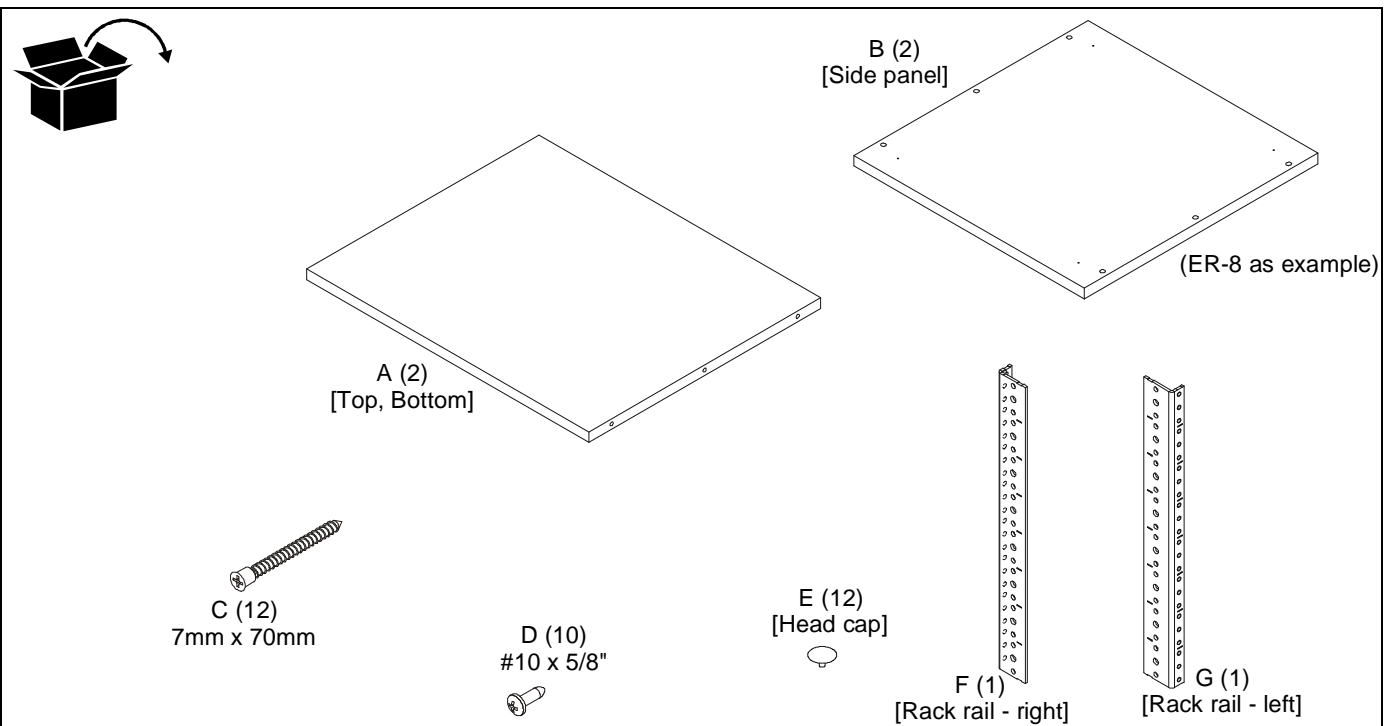


DIMENSIONS: INCHES
[MILLIMETERS]

TOOLS REQUIRED FOR INSTALLATION



PARTS



INSTALLATION

1. Lay two side panels (B) flat with pilot holes facing up. (See Figure 1)
2. Orient one rack rail so that the shorter edge of rack rail faces the front of the rack. (See Figure 1)
3. Attach rack rail (F or G) to side panel (B) using #10 x 5/8" Phillips wood screw (D) in larger holes on rack rail.

NOTE: All fasteners may not be used. Use one fastener in each pilot hole in side panels. Number of pilot holes will vary by model.

4. Repeat Steps 2 and 3 for the second side panel.

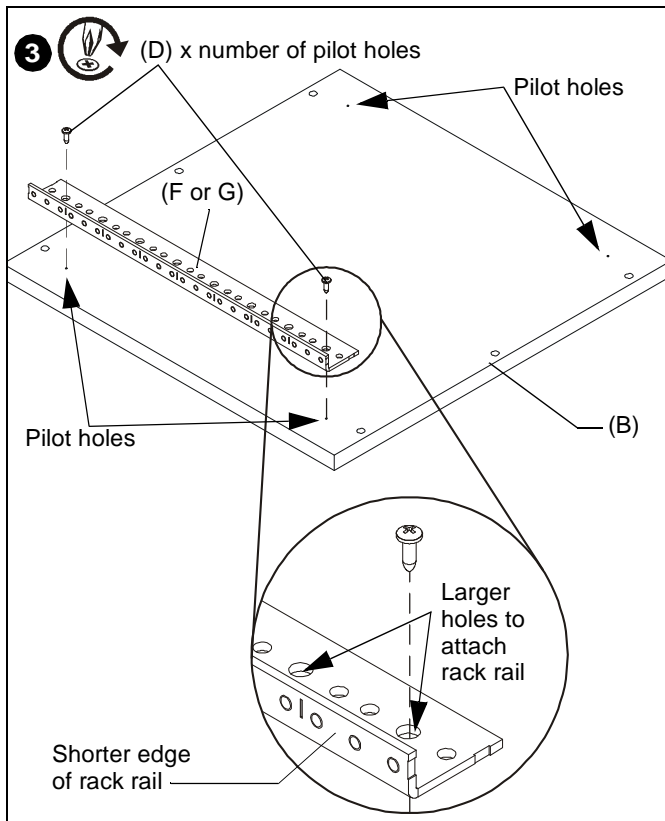


Figure 1

5. Place one top/bottom (A) piece standing up on its edge next to one of the side panel (B) pieces. (See Figure 2)
6. Install one 7mm x 70mm wood screw (C) into predrilled hole on side panel. Fasten the screw all the way into the panel but leave somewhat loose until all screws are installed. (See Figure 2)
7. Install remaining wood screws into the side panel in same manner.

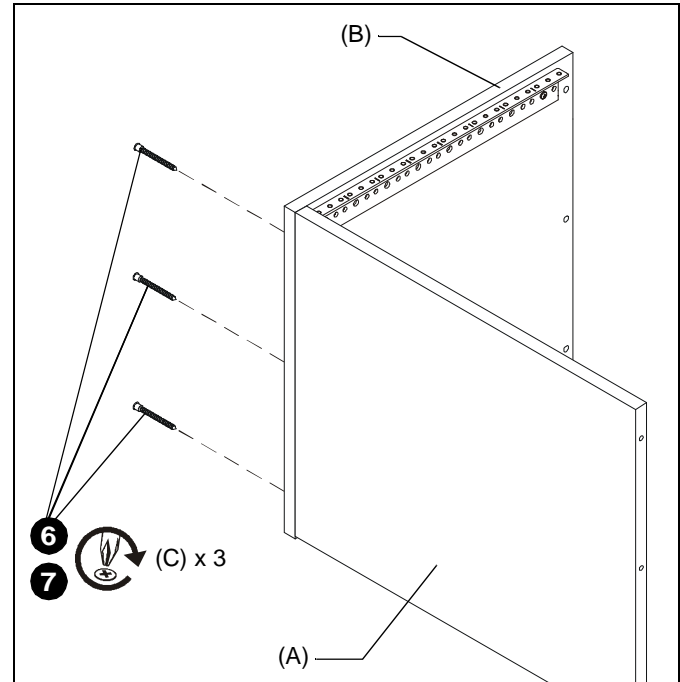


Figure 2

8. Attach remaining side panel to assembly using one 7mm x 70mm wood screw (C) into predrilled hole on side panel. Fasten the screw all the way into the panel but leave somewhat loose until all screws are installed. (See Figure 3)
9. Install remaining wood screws into the side panel in same manner.

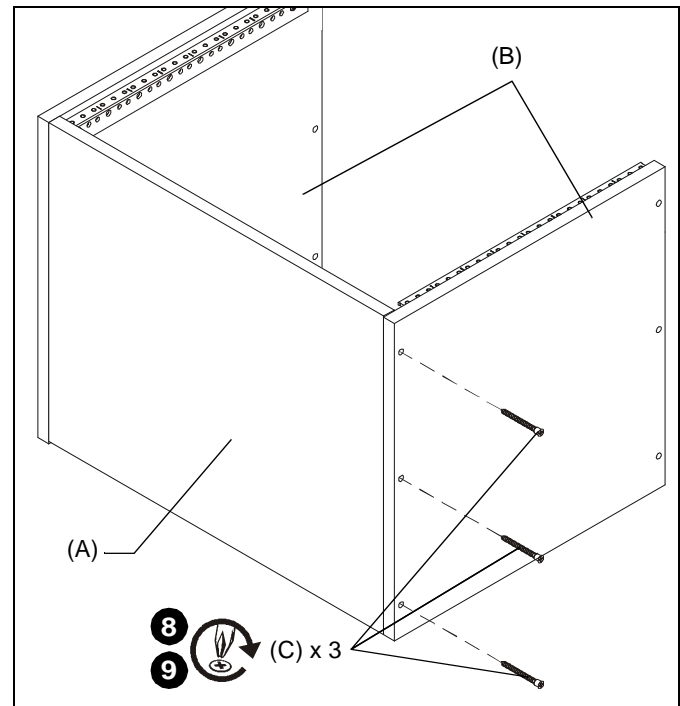


Figure 3

10. Install the second top/bottom piece (A) into place, using three 7mm x 70mm wood screws (C) into predrilled holes on each side panel. Fasten the screws all the way into the panel but leave somewhat loose until all screws are installed.
11. Tighten all screws after all sides, base and top are positioned and aligned.
12. Insert head caps (E) over the 7mm x 70mm screws (C).

LOADING THE RACK

Load Distribution



CAUTION: BEGIN PLACEMENT OF LOAD AT BOTTOM OF RACK! Load rack, moving from bottom toward top of rack. Loading rack incorrectly may result in instability causing possibly injury and/or damage to components.

1. Begin placement of components into the rack at the lowest point.
2. Continue placing items into the rack, moving from the bottom upward.



CAUTION: DISTRIBUTE LOAD CORRECTLY! Load rack with 2/3 total weight of components in the lower half of rack. Loading rack incorrectly may result in instability causing possible injury and/or damage to components.



Our Mounts. **Your Vision.**

Chief Manufacturing, a products division
of Milestone AV Technologies

8800-002212 Rev00
©2012 Milestone AV Technologies, a
Duchossois Group Company
www.chiefmfg.com
08/12

USA/International	A 6436 City West Parkway, Eden Prairie, MN 55344 P 800.582.6480 / 952.225.6000 F 877.894.6918 / 952.894.6918
Europe	A Franklinstraat 14, 6003 DK Weert, Netherlands P +31 (0) 495 580 852 F +31 (0) 495 580 845
Asia Pacific	A Office No. 1 on 12/F, Shatin Galleria 18-24 Shan Mei Street Fotan, Shatin, Hong Kong P 852 2145 4099 F 852 2145 4477

