



## Features

- 12" low-frequency woofer
- 1.75" diaphragm compression driver
- 300 watt continuous power rating
- 70V/100V multi-tap transformer included (system can operate in distributed or low-impedance mode)



The AD-C1200 is designed for music playback, public address and distributed audio in applications that require high output from a ceiling mounted loudspeaker. The AcousticDesign™ Series of installation loudspeakers has been designed for trouble free operation and versatility. Utilizing custom designed transducers and crossover networks, in combination with an acoustically optimized enclosure (AD-C1200BB), the AD-C1200 continues the AD Series philosophy to bring the same versatility and reliability to high-ceiling applications.

Each AD-C1200 includes the coaxial transducers, a transformer and a crossover network factory mounted on a steel baffle. The baffle is designed to mount to the QSC enclosure (AD-C1200BB) or to any ~2.5 ft<sup>3</sup> enclosure using industry standard transducer mounting dimensions. A square grille (AD-C1200SG) is available to finish the installation.

The 12" woofer is made with a treated paper cone on a steel frame. In the optimized enclosure the usable low frequency of the system extends to 37 Hz. The 1.75" compression driver fires through the center of the woofer and is acoustically mated to the woofer for a smooth transition at crossover. The system achieves 85 degree axisymmetric coverage.

High-current, low tolerance network components provide smooth full-range, passive performance. The included 70V/100V custom designed transformer is optimized for low line loss as well as accurate and transparent acoustic performance.

The AD-C1200 loudspeaker system measures 93 dB sensitivity (1W/1m) and at full continuous power is capable of producing 118dB SPL (1W/1m) output.

## Preliminary Specifications

Configuration	Passive
Transducers	
Low-frequency	12" (304 mm) ferrite woofer
High-frequency	1.75" (44 mm) neodymium compression driver
Frequency Range <sup>1</sup>	
Frequency Response (-6 dB)	42 Hz – 18 kHz
Useable Frequency Range (-10 dB)	37 Hz – 18 kHz
Maximum Output <sup>2</sup>	
Calculated Peak Output	124 dB SPL
Calculated Continuous Output	118 dB SPL
Nominal Coverage	85° horizontal and vertical
Nominal Impedance	16Ω
Power Rating	
RMS Power Handling <sup>3</sup>	300 W
Recommended Max Amp Power	600 W
Sensitivity	93 dB SPL, 1W/1m
Bass Loading	Ported
Transformer	
Type	Custom low distortion laminated core, wide bandwidth design
Taps	100 V: 16Ω bypass, 150 W, 75 W, 37.5 W 70 V: 16Ω bypass, 150 W, 75 W, 37.5 W, 18.2 W
Agency Rating	CE, UL 1480 (commercial/professional use) UL 2043 (air handling spaces)
Enclosure Volume (AD-C1200BB)	88 L (3.1 ft <sup>3</sup> )
Enclosure	
Connectors	Back box (AD-C1200BB): ceramic block connector inputs and "through" connectors (rated for 400 W max). Loudspeaker Baffle: Euro-style connectors.
Mounting Hardware	Pre-installed, suspended, back box, four mounting tabs. Loudspeaker Baffle: six mounting screws.
Weight – Net	AD-C1200: 25 lb / 11.3 kg AD-C1200BB: 53 lb / 24 kg Complete Assembly: 78 lb / 35.3 kg
Dimensions (HWD)	Complete Assembly: 23" x 18" x 15.5" (584 mm x 454 mm x 393 mm)

<sup>1</sup>) All frequency ranges specified refer to measured half-space response. (2 πi).

<sup>2</sup>) Calculated maximum peak SPL at 1 m, half-space, speaker operating at rated rms power pink noise input, 50 Hz – 20 kHz.

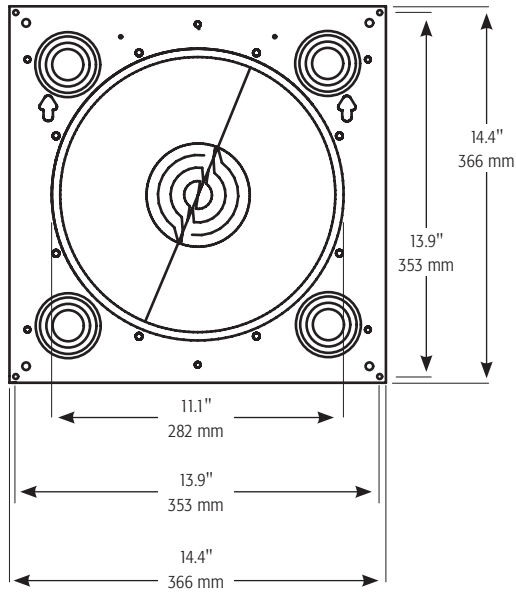
<sup>3</sup>) Maximum input power tested in accordance with IEC recommendations; 50 Hz – 20 kHz band limiting, 6 dB signal crest factor.

# AD-C1200

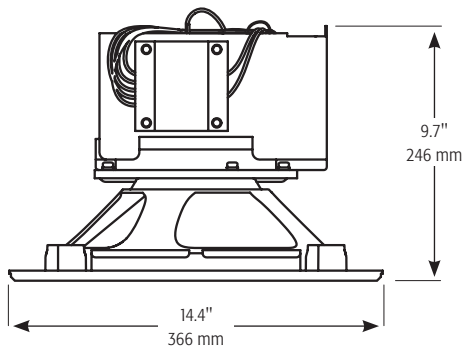
## Dimensions

AD-C1200

Front

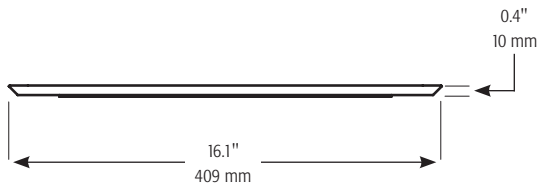


Side



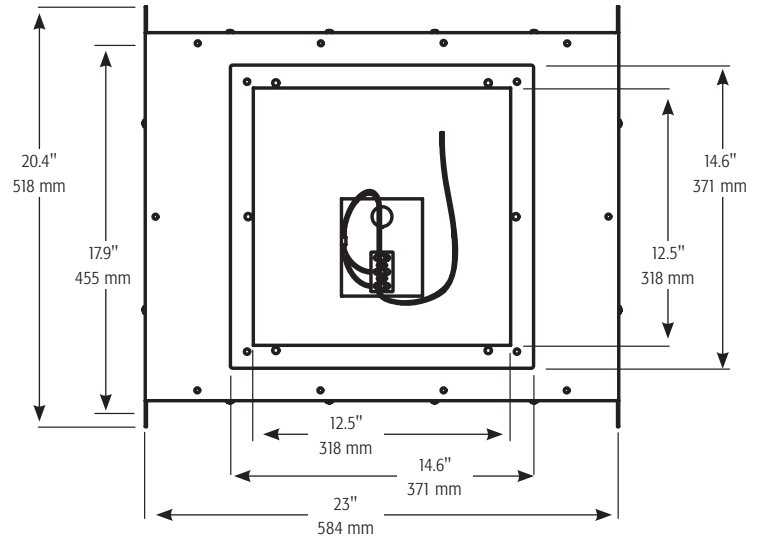
AD-C1200SG

Side

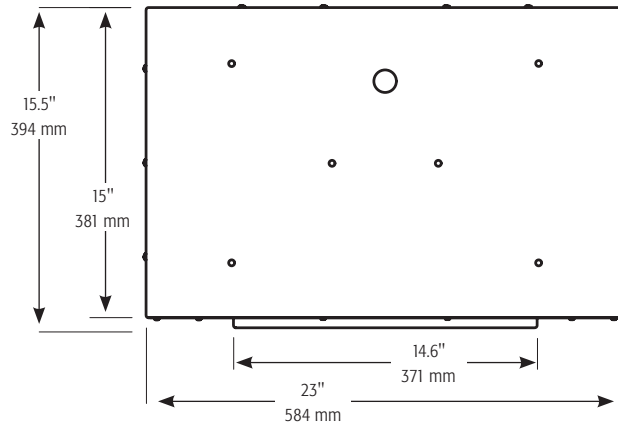


AD-C1200BB

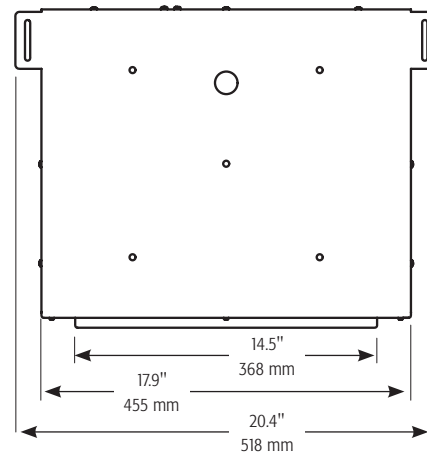
Front



Side 1



Side 2



Specifications subject to change without notice.

please recycle 

©2010 QSC Audio Products, LLC. All rights reserved. QSC and the QSC logo are registered trademarks of QSC Audio Products, LLC in the U.S. Patent and Trademark office and other countries. AcousticDesign is a trademark of QSC Audio Products, LLC. All other trademarks are the property of their respective owners. Patents may apply or be pending.

1675 MacArthur Boulevard • Costa Mesa, CA 92626 • Ph: 800/854-4079 or 714/957-7100 • Fax: 714/754-6174

AD-C1200 Spec Sheet - 02/03/10

**QSC**  
qscaudio.com