

TECHNICAL DATA

MB210

compact subwoofer



Product Overview

Bose Professional MB210 compact subwoofers are designed for background/foreground music and small sound-reinforcement systems that require low-frequency extension down to 37 Hz. The MB210 subwoofer features two (2) 10-inch high-excursion woofers, derived from the award-winning Bose Professional F1 subwoofer, in a compact, Baltic-birch plywood enclosure optimized for fixed-installation applications. Featuring outstanding performance to size ratio, the MB210 is designed to complement Bose Professional loudspeaker lines, such as FreeSpace®, Panaray®, and Roomatch® Utility with additional bass impact.

Key Features

- **2 x 10" high-excursion woofers** – for high-output bass in a compact enclosure. Transducers derived from award-winning Bose F1 portable, powered subwoofer
- **500 W long-term power handling** – for high sound output and reliability
- **Low-frequency extension down to 37 Hz**
- **123 dB maximum continuous SPL, 129 dB peak SPL**
- **Baltic Birch plywood enclosure** – with compact size for installations
- **Polyurethane paint** – available in black or white, paintable
- **U-bracket included** – for easy mounting to walls or ceilings

Technical Specifications

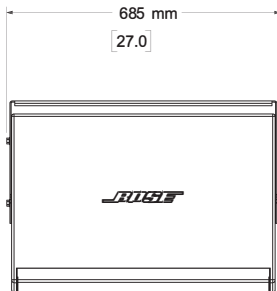
SINGLE MODULE PERFORMANCE				
Frequency Response (-3 dB) ⁽¹⁾	45 - 180 Hz			
Frequency Range (-10 dB)	37 - 270 Hz			
Recommended High-Pass Protection Filter	45 Hz with 24-dB / octave filter			
Nominal Coverage Pattern	Omnidirectional below 200 Hz			
Recommended Crossover	80 - 200 Hz (requires active crossover in DSP)			
	Bose extended-lifecycle test ⁽⁴⁾		AES transducer test ⁽⁵⁾	
	Free Field	Half-Space	Free-Field	Half-Space
Power Handling, long-term continuous	500 W	500 W	625 W	625 W
Power Handling, peak	2000 W	2000 W	2500 W	2500 W
Sensitivity (SPL/ 1W @ 1 m) ⁽²⁾	90 dB	96 dB	90 dB	96 dB
Calculated Maximum SPL @ 1 m ⁽³⁾	117 dB	123 dB	118 dB	124 dB
Calculated Maximum SPL @ 1 m, peak	123 dB	129 dB	124 dB	130 dB
TRANSDUCERS				
Low Frequency	2 x Bose 10-inch, high-excursion woofers			
Nominal Impedance	8 ohms			
PHYSICAL				
Enclosure Material	Baltic birch plywood			
Finish	Polyurethane coating, black or white			
Color Equivalents	Black: RAL 9005, White: RAL 9010			
Grille	Perforated steel, powder-coated finish, black or white, paintable			
Environmental	Indoor only			
Connectors	2x Neutrik® NL4 plus 4-pin Euro block, all wired parallel			
Suspension / Mounting	4x M8 on left and right sides for U-bracket attachment			
Dimensions (H x W x D)	291 mm x 659 mm x 450 mm (11.5" x 26" x 17.7")			
Net Weight	18.6 kg (41 lbs) / 21.8 kg (48 lbs) with U-bracket			
Shipping Weight	27.2 kg (59.96 lbs)			
Included accessories	U-bracket, 4x adhesive-mounted rubber ground-stack feet			

MB210 compact subwoofer

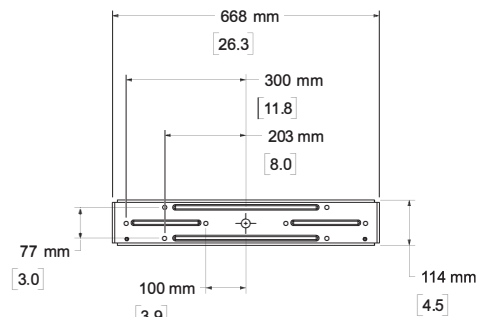
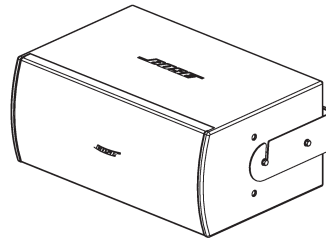
Input Connections



Dimensions



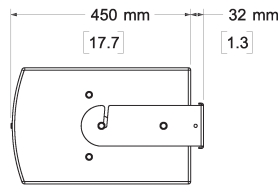
Top View



Rear View
BRACKET ONLY

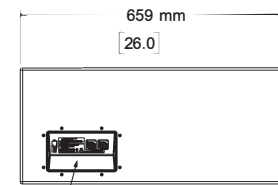


Front View



Right View

DIMENSIONS APPLY TO BOTH SIDES



Rear View
BRACKET REMOVED

INPUT PANEL 2X NL4 AND
4-PIN EURO BLOCK CONNECTOR

Footnotes

- (1) Frequency response and range measured on-axis with recommended EQ in indicated anechoic environment
- (2) Sensitivity with indicated boundary, 40 -300 Hz bandpass, referenced to 2.83V
- (3) Maximum SPL calculated from sensitivity and power handling specifications, exclusive of power compression
- (4) Bose extended-lifecycle test using pink noise filtered to meet IEC268-5, 6-dB crest factor, 500-hour duration
- (5) AES standard 2-hour duration with IEC system noise